

NORTH

Scale 1"=100'

SITE AREA: 2.53 ACRES
 A.P.N. 009-0136-002 & 003

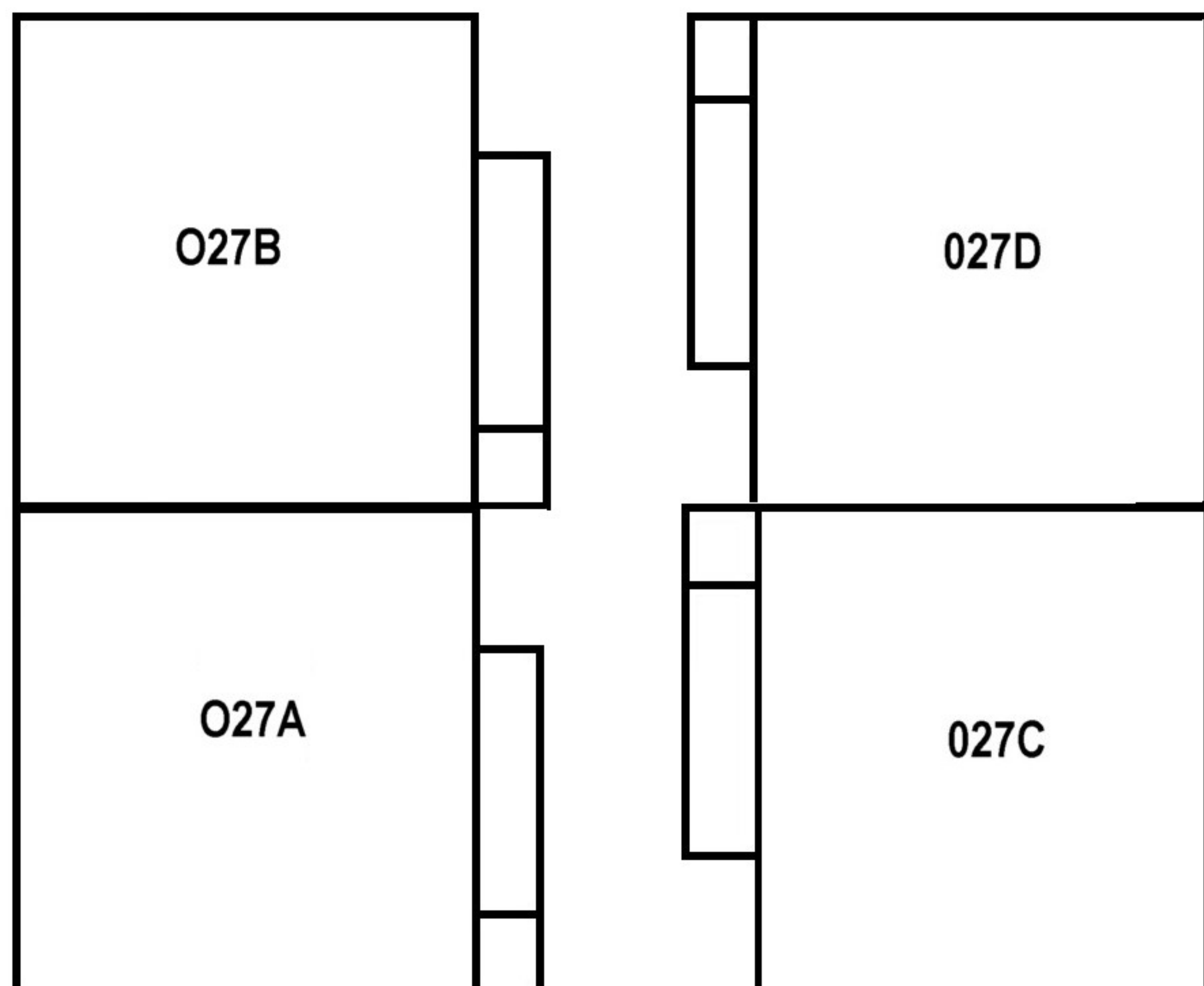


NORTH

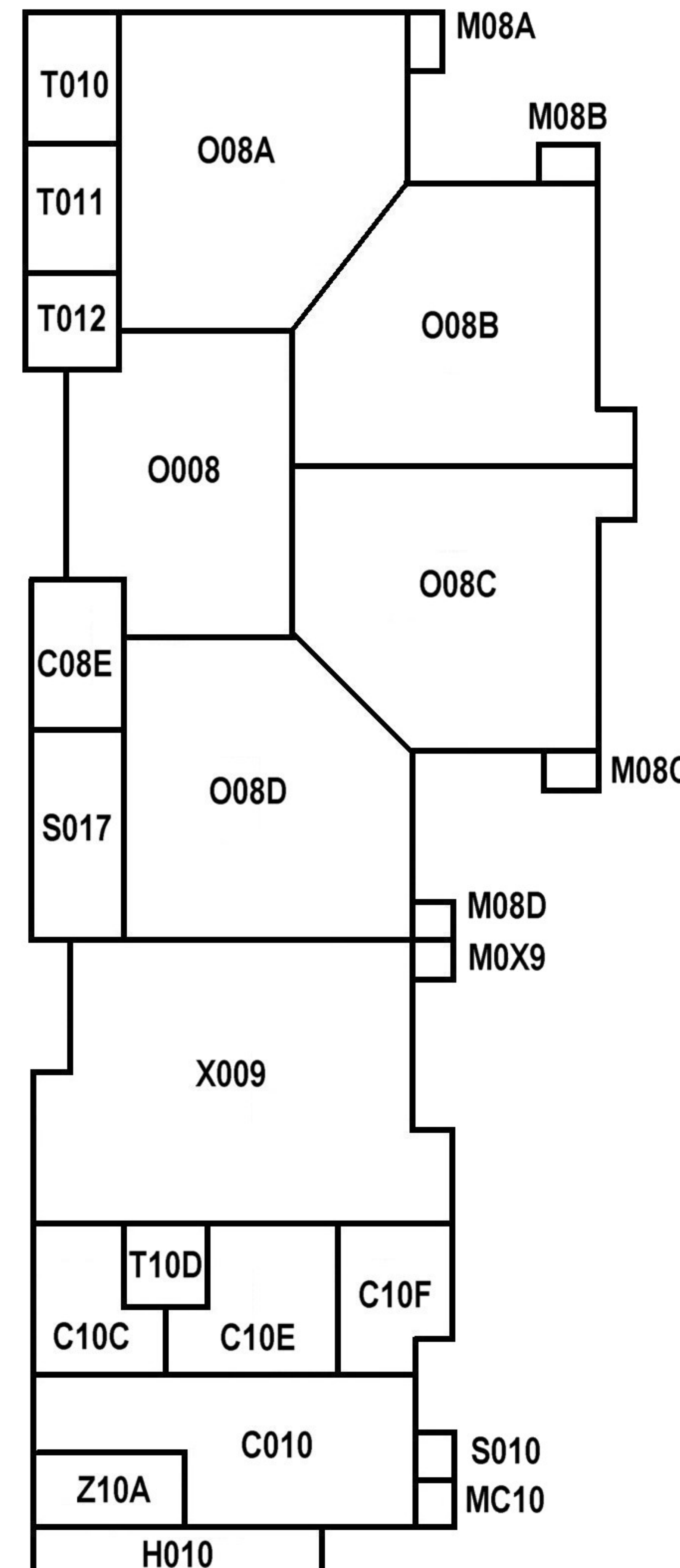
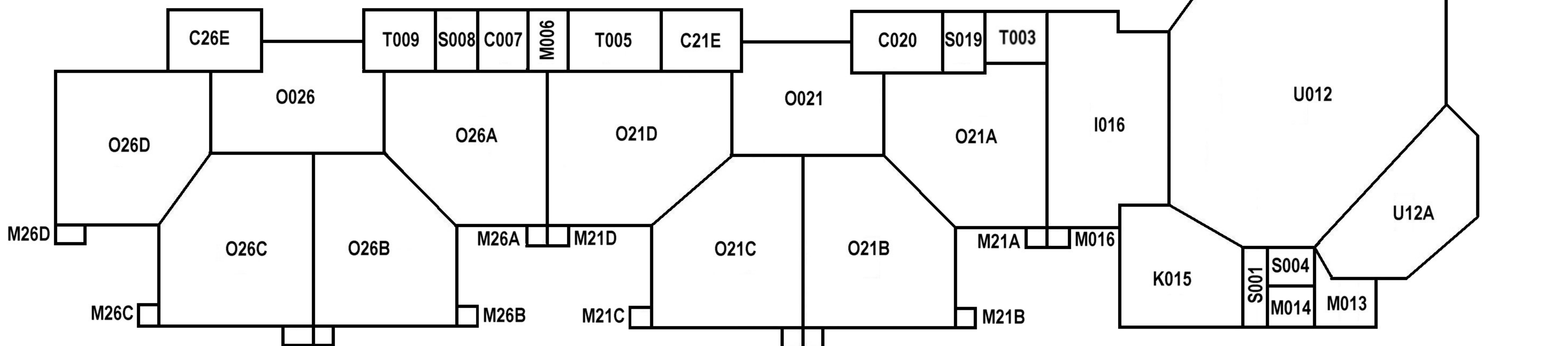
WILLIAM LAND

DRAWING NO.	1
SPACE	
FLOOR	1ST

BLD P01



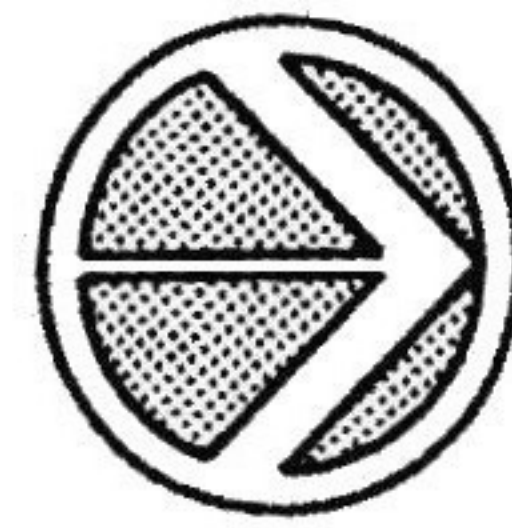
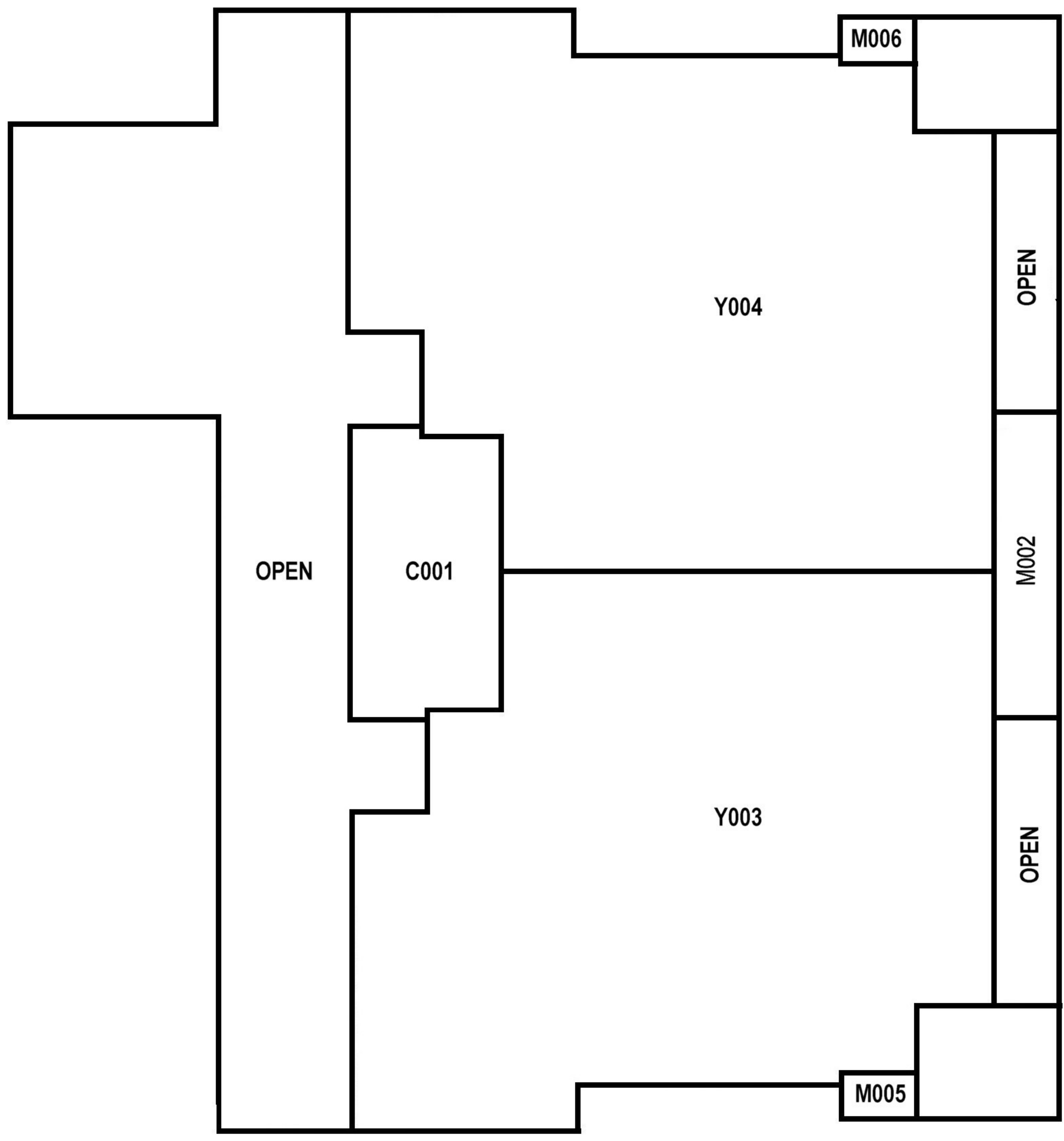
BLD 001



WILLIAM LAND

DRAWING NO.	2
SPACE	
FLOOR	1ST

BLD 002



NORTH

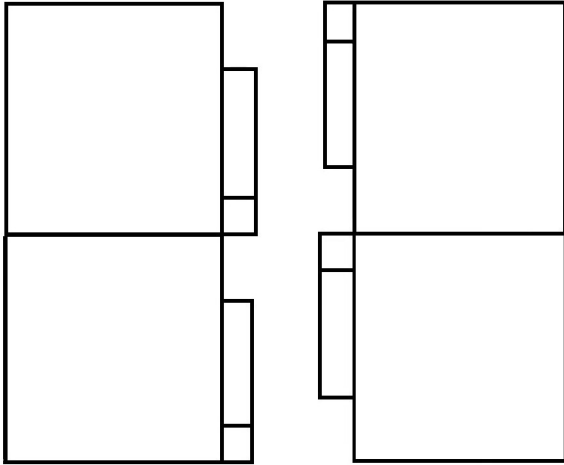


NORTH

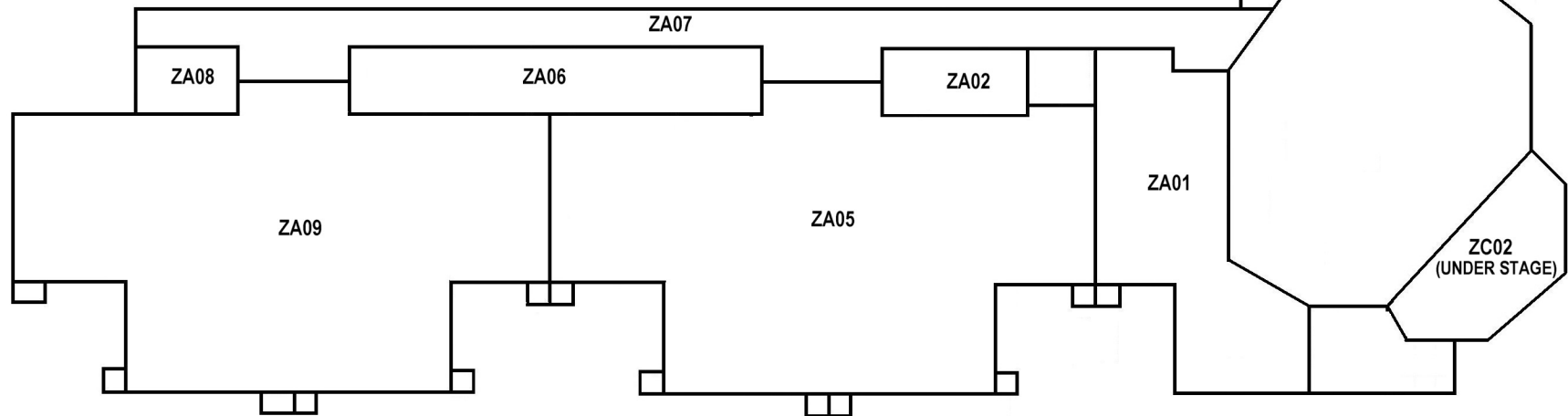
WILLIAM LAND

DRAWING NO.	3
SPACE	CRAWL / ATTIC
FLOOR	1ST

BLD P01



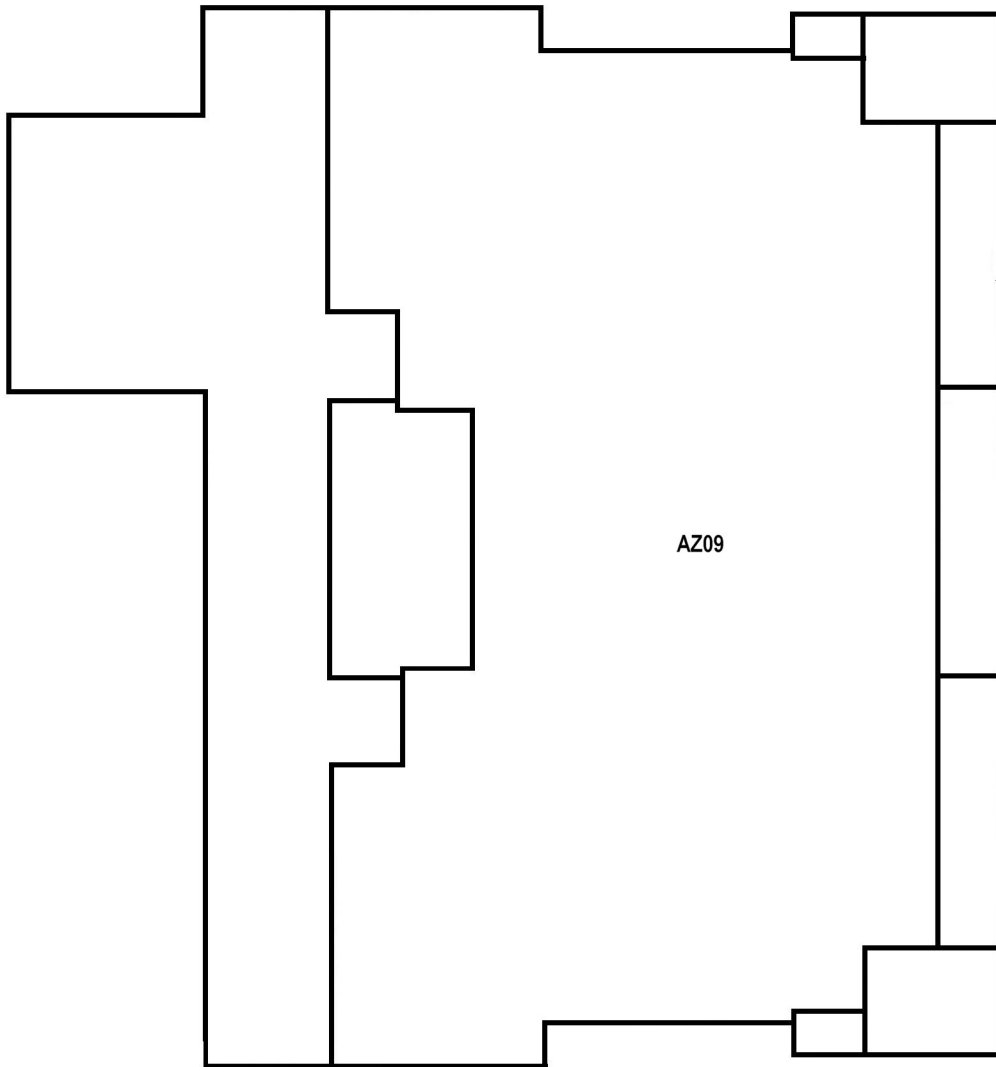
BLD 001



WILLIAM LAND

DRAWING NO.	4
SPACE	ATTIC
FLOOR	1ST

BLD 002



NORTH

SACRAMENTO CITY UNIFIED SCHOOL DISTRICT - AHERA 3 YEAR SUSPECT MATERIAL REPORT

DATE PRINTED: 7/1/2011 1

Page 1 of 18

SITE: 384		WILLIAM LAND				Address: 2120 12TH STREET, Sacramento 95818				
Building No:	001	Room	C007	Description	Office		Drawing No:	1		
Location	Homogeneous Material	Class	Friable	Material Size	Type of Asbestos	Sample Type	% Asbestos	Sample #		
Ceiling	Sheet Rock	M	N	0 SF	Non ASB	Sampled	0	002H09		
Kiln	Kiln Block	M	N	0 SF	Non ASB	Sampled	0	E5045		
Wall	Fire Rated Door	M	N	21 SF	Other	Assumed	N/A			
Wall	Sheet Rock	M	N	0 SF	Non ASB	Sampled	0	002H09		

Building No:	001	Room	C010	Description	Office		Drawing No:	1		
Location	Homogeneous Material	Class	Friable	Material Size	Type of Asbestos	Sample Type	% Asbestos	Sample #		
Ceiling	Acoustical Tile, Lay In	M	N	0 SF	Non ASB	Sampled	0	005H01		
Wall	Sheet Rock	M	N	0 SF	Non ASB	Sampled	0	002H19		

Building No:	001	Room	C020	Description	Office		Drawing No:	1		
Location	Homogeneous Material	Class	Friable	Material Size	Type of Asbestos	Sample Type	% Asbestos	Sample #		
Ceiling	Acoustical Tile	M	N	112 SF	Non ASB	Sampled	0	T1599		
Ceiling	Sheet Rock	M	N	0 SF	Non ASB	Sampled	0	002H05		
Wall	Sheet Rock	M	N	0 SF	Non ASB	Sampled	0	002H05		

Building No:	001	Room	C08E	Description	Office		Drawing No:	1		
Location	Homogeneous Material	Class	Friable	Material Size	Type of Asbestos	Sample Type	% Asbestos	Sample #		
Ceiling	Acoustical Tile	M	N	120 SF	Non ASB	Sampled	0	T1599		
Ceiling	Sheet Rock	M	N	0 SF	Non ASB	Sampled	0	002H16		
Wall	Sheet Rock	M	N	0 SF	Non ASB	Sampled	0	002H16		

Building No:	001	Room	C10C	Description	Office		Drawing No:	1		
Location	Homogeneous Material	Class	Friable	Material Size	Type of Asbestos	Sample Type	% Asbestos	Sample #		
Ceiling	Acoustical Tile, Lay In	M	N	0 SF	Non ASB	Sampled	0	005H01		
Wall	Sheet Rock	M	N	0 SF	Non ASB	Sampled	0	002H18		

Building No:	001	Room	C10E	Description	Office		Drawing No:	1		
Location	Homogeneous Material	Class	Friable	Material Size	Type of Asbestos	Sample Type	% Asbestos	Sample #		
Ceiling	Acoustical Tile, Lay In	M	N	0 SF	Non ASB	Sampled	0	005B00		
Wall	Sheet Rock	M	N	0 SF	Non ASB	Sampled	0	002B00		

SACRAMENTO CITY UNIFIED SCHOOL DISTRICT - AHERA 3 YEAR SUSPECT MATERIAL REPORT

DATE PRINTED: 7/1/2011 1

SITE: 384 **WILLIAM LAND** **Address: 2120 12TH STREET, Sacramento 95818**

Building No: 001 **Room** **C10F** **Description** **Office** **Drawing No: 1**

Location	Homogeneous Material	Class	Friable	Material Size	Type of Asbestos	Sample Type	% Asbestos	Sample #
Ceiling	Acoustical Tile, Lay In	M	N	0 SF	Non ASB	Sampled	0	005H01
Wall	Sheet Rock	M	N	0 SF	Non ASB	Sampled	0	002H18

Building No: 001 **Room** **C21E** **Description** **Office** **Drawing No: 1**

Location	Homogeneous Material	Class	Friable	Material Size	Type of Asbestos	Sample Type	% Asbestos	Sample #
Ceiling	Acoustical Tile	M	N	112 SF	Non ASB	Sampled	0	005H00
Ceiling	Sheet Rock	M	N	0 SF	Non ASB	Sampled	0	002H06
Wall	Sheet Rock	M	N	0 SF	Non ASB	Sampled	0	002H06

Building No: 001 **Room** **C26E** **Description** **Office** **Drawing No: 1**

Location	Homogeneous Material	Class	Friable	Material Size	Type of Asbestos	Sample Type	% Asbestos	Sample #
Ceiling	Acoustical Tile	M	N	112 SF	Non ASB	Sampled	0	T1599
Ceiling	Sheet Rock	M	N	0 SF	Non ASB	Sampled	0	002H10
Wall	Sheet Rock	M	N	0 SF	Non ASB	Sampled	0	002H10

Building No: 001 **Room** **H010** **Description** **Hallway/Stairs** **Drawing No: 1**

Location	Homogeneous Material	Class	Friable	Material Size	Type of Asbestos	Sample Type	% Asbestos	Sample #
Ceiling	Sheet Rock	M	N	0 SF	Non ASB	Sampled	0	002H19
Flooring	Tile 12 In.	M	N	230 SF	Serp	Sampled	2	D5044 Under newer flooring
Flooring	Tile 12 In.	m	N	SF	Non ASB	Sampled	0	B3336
Wall	Sheet Rock	M	N	0 SF	Non ASB	Sampled	0	002H19

Building No: 001 **Room** **I016** **Description** **Lounge** **Drawing No: 1**

Location	Homogeneous Material	Class	Friable	Material Size	Type of Asbestos	Sample Type	% Asbestos	Sample #
Ceiling	Acoustical Tile, Lay In	M	N	0 SF	Non ASB	Sampled	0	005B00
Flooring	Tile 12 In.	M	N	504 SF	Serp	Sampled	2	D5044
Flooring	Tile 12 In.	m	N	SF	Non ASB	Sampled	0	B3336
Wall	Sheet Rock	M	N	0 SF	Non ASB	Sampled	0	002H01

SACRAMENTO CITY UNIFIED SCHOOL DISTRICT - AHERA 3 YEAR SUSPECT MATERIAL REPORT

DATE PRINTED: 7/1/2011 1

Page 3 of 18

SITE: 384		WILLIAM LAND				Address: 2120 12TH STREET, Sacramento 95818				
Building No:	001	Room	K015	Description	Kitchen		Drawing No:	1		
Location	Homogeneous Material	Class	Friable	Material Size		Type of Asbestos	Sample Type	% Asbestos	Sample #	
Ceiling	Acoustical Tile	M	N	441	SF	Non ASB	Sampled	0	T1599	
Ceiling	Sheet Rock	M	N	0	SF	Non ASB	Sampled	0	002H01	
Wall	Sheet Rock	M	N	0	SF	Non ASB	Sampled	0	002H01	

Building No:	001	Room	M006	Description	Mechanical Room		Drawing No:	1		
Location	Homogeneous Material	Class	Friable	Material Size		Type of Asbestos	Sample Type	% Asbestos	Sample #	
Ceiling	Sheet Rock	M	N	0	SF	Non ASB	Sampled	0	002H09	
HVAC	Duct Seal	M	N	0	SF	Non ASB	Sampled	0	001H00	
Wall	Fire Rated Door	M	N	21	SF	Other	Assumed	N/A		
Wall	Plaster	S	N	244	SF	Non ASB	Sampled	0	E6000	
Wall	Sheet Rock	M	N	0	SF	Non ASB	Sampled	0	002H09	

Building No:	001	Room	M013	Description	Mechanical Room		Drawing No:	1		
Location	Homogeneous Material	Class	Friable	Material Size		Type of Asbestos	Sample Type	% Asbestos	Sample #	
Ceiling	Sheet Rock	M	N	0	SF	Non ASB	Sampled	0	002B00	
HVAC	Duct Seal	M	N	0	SF	Non ASB	Sampled	0	001B00	
Wall	Sheet Rock	M	N	0	SF	Non ASB	Sampled	0	002B00	

Building No:	001	Room	M014	Description	Mechanical Room		Drawing No:	1		
Location	Homogeneous Material	Class	Friable	Material Size		Type of Asbestos	Sample Type	% Asbestos	Sample #	
Ceiling	Sheet Rock	M	N	0	SF	Non ASB	Sampled	0	002H00	
HVAC	Duct Seal	M	N	0	SF	Non ASB	Sampled	0	001B00	
Wall	Sheet Rock	M	N	0	SF	Non ASB	Sampled	0	002B00	

Building No:	001	Room	M016	Description	Mechanical Room		Drawing No:	1		
Location	Homogeneous Material	Class	Friable	Material Size		Type of Asbestos	Sample Type	% Asbestos	Sample #	
Ceiling	Sheet Rock	M	N	0	SF	Non ASB	Sampled	0	002B00	
HVAC	Duct Seal	M	N	0	SF	Non ASB	Sampled	0	001H00	
Wall	Sheet Rock	M	N	0	SF	Non ASB	Sampled	0	002B00	

SACRAMENTO CITY UNIFIED SCHOOL DISTRICT - AHERA 3 YEAR SUSPECT MATERIAL REPORT

DATE PRINTED: 7/1/2011 1

SITE: 384		WILLIAM LAND				Address: 2120 12TH STREET, Sacramento 95818				
Building No:	001	Room	M08A	Description	Mechanical Room		Drawing No:	1		
Location	Homogeneous Material	Class	Friable	Material Size		Type of Asbestos	Sample Type	% Asbestos	Sample #	
Ceiling	Sheet Rock	M	N	0	SF	Non ASB	Sampled	0	002H21	
HVAC	Duct Seal	M	N	0	SF	Non ASB	Sampled	0	001H01	
Wall	Sheet Rock	M	N	0	SF	Non ASB	Sampled	0	002H21	

Building No:	001	Room	M08B	Description	Mechanical Room		Drawing No:	1		
Location	Homogeneous Material	Class	Friable	Material Size		Type of Asbestos	Sample Type	% Asbestos	Sample #	
HVAC	Duct Seal	M	N	0	SF	Non ASB	Sampled	0	001H02	
Wall	Sheet Rock	M	N	0	SF	Non ASB	Sampled	0	002H22	

Building No:	001	Room	M08C	Description	Mechanical Room		Drawing No:	1		
Location	Homogeneous Material	Class	Friable	Material Size		Type of Asbestos	Sample Type	% Asbestos	Sample #	
Ceiling	Sheet Rock	M	N	0	SF	Non ASB	Sampled	0	002H21	
HVAC	Duct Seal	M	N	0	SF	Non ASB	Sampled	0	001H01	
Wall	Sheet Rock	M	N	0	SF	Non ASB	Sampled	0	002H21	

Building No:	001	Room	M08D	Description	Mechanical Room		Drawing No:	1		
Location	Homogeneous Material	Class	Friable	Material Size		Type of Asbestos	Sample Type	% Asbestos	Sample #	
Ceiling	Sheet Rock	M	N	0	SF	Non ASB	Sampled	0	002H20	
HVAC	Duct Seal	M	N	0	SF	Non ASB	Sampled	0	001H01	
Wall	Sheet Rock	M	N	0	SF	Non ASB	Sampled	0	002H20	

Building No:	001	Room	M0X9	Description	Mechanical Room		Drawing No:	1		
Location	Homogeneous Material	Class	Friable	Material Size		Type of Asbestos	Sample Type	% Asbestos	Sample #	
Ceiling	Sheet Rock	M	N	0	SF	Non ASB	Sampled	0	002H20	
HVAC	Duct Seal	M	N	0	SF	Non ASB	Sampled	0	001H01	
Wall	Sheet Rock	M	N	0	SF	Non ASB	Sampled	0	002H20	

SACRAMENTO CITY UNIFIED SCHOOL DISTRICT - AHERA 3 YEAR SUSPECT MATERIAL REPORT

DATE PRINTED: 7/1/2011 1

SITE: 384		WILLIAM LAND				Address: 2120 12TH STREET, Sacramento 95818				
Building No:	001	Room	M21A	Description	Mechanical Room		Drawing No:	1		
Location		Homogeneous Material		Class	Friable	Material Size	Type of Asbestos	Sample Type	% Asbestos	Sample #
Ceiling		Sheet Rock		M	N	0 SF	Non ASB	Sampled	0	002H14
HVAC		Duct Seal		M	N	0 SF	Non ASB	Sampled	0	001H01
Wall		Sheet Rock		M	N	0 SF	Non ASB	Sampled	0	002H14

Building No:	001	Room	M21B	Description	Mechanical Room		Drawing No:	1		
Location		Homogeneous Material		Class	Friable	Material Size	Type of Asbestos	Sample Type	% Asbestos	Sample #
Ceiling		Sheet Rock		M	N	0 SF	Non ASB	Sampled	0	002H13
HVAC		Duct Seal		M	N	0 SF	Non ASB	Sampled	0	001H01
Wall		Sheet Rock		M	N	0 SF	Non ASB	Sampled	0	002H13

Building No:	001	Room	M21C	Description	Mechanical Room		Drawing No:	1		
Location		Homogeneous Material		Class	Friable	Material Size	Type of Asbestos	Sample Type	% Asbestos	Sample #
Ceiling		Sheet Rock		M	N	0 SF	Non ASB	Sampled	0	002H13
HVAC		Duct Seal		M	N	0 SF	Non ASB	Sampled	0	001H01
Wall		Sheet Rock		M	N	0 SF	Non ASB	Sampled	0	002H13

Building No:	001	Room	M21D	Description	Mechanical Room		Drawing No:	1		
Location		Homogeneous Material		Class	Friable	Material Size	Type of Asbestos	Sample Type	% Asbestos	Sample #
Ceiling		Sheet Rock		M	N	0 SF	Non ASB	Sampled	0	002H12
HVAC		Duct Seal		M	N	0 SF	Non ASB	Sampled	0	001H01
Wall		Sheet Rock		M	N	0 SF	Non ASB	Sampled	0	002H12

Building No:	001	Room	M26A	Description	Mechanical Room		Drawing No:	1		
Location		Homogeneous Material		Class	Friable	Material Size	Type of Asbestos	Sample Type	% Asbestos	Sample #
Ceiling		Sheet Rock		M	N	0 SF	Non ASB	Sampled	0	002H12
HVAC		Duct Seal		M	N	0 SF	Non ASB	Sampled	0	001H01
Wall		Sheet Rock		M	N	0 SF	Non ASB	Sampled	0	002H12

SACRAMENTO CITY UNIFIED SCHOOL DISTRICT - AHERA 3 YEAR SUSPECT MATERIAL REPORT

DATE PRINTED: 7/1/2011 1

SITE: 384		WILLIAM LAND				Address: 2120 12TH STREET, Sacramento 95818				
Building No:	001	Room	M26B	Description	Mechanical Room		Drawing No:	1		
Location	Homogeneous Material	Class	Friable	Material Size		Type of Asbestos	Sample Type	% Asbestos	Sample #	
Ceiling	Sheet Rock	M	N	0	SF	Non ASB	Sampled	0	002H12	
HVAC	Duct Seal	M	N	0	SF	Non ASB	Sampled	0	001H01	
Wall	Sheet Rock	M	N	0	SF	Non ASB	Sampled	0	002H12	

Building No:	001	Room	M26C	Description	Mechanical Room		Drawing No:	1		
Location	Homogeneous Material	Class	Friable	Material Size		Type of Asbestos	Sample Type	% Asbestos	Sample #	
Ceiling	Sheet Rock	M	N	0	SF	Non ASB	Sampled	0	002H11	
HVAC	Duct Seal	M	N	0	SF	Non ASB	Sampled	0	001H00	
Wall	Sheet Rock	M	N	0	SF	Non ASB	Sampled	0	002H11	

Building No:	001	Room	M26D	Description	Mechanical Room		Drawing No:	1		
Location	Homogeneous Material	Class	Friable	Material Size		Type of Asbestos	Sample Type	% Asbestos	Sample #	
Ceiling	Sheet Rock	M	N	0	SF	Non ASB	Sampled	0	002H11	
HVAC	Duct Seal	M	N	0	SF	Non ASB	Sampled	0	001H00	
Wall	Sheet Rock	M	N	0	SF	Non ASB	Sampled	0	002H11	

Building No:	001	Room	MC10	Description	Mechanical Room		Drawing No:	1		
Location	Homogeneous Material	Class	Friable	Material Size		Type of Asbestos	Sample Type	% Asbestos	Sample #	
Ceiling	Sheet Rock	M	N	0	SF	Non ASB	Sampled	0	002B00	
HVAC	Duct Seal	M	N	0	SF	Non ASB	Sampled	0	001H01	
Wall	Sheet Rock	M	N	0	SF	Non ASB	Sampled	0	002B00	

Building No:	001	Room	O008	Description	Classroom		Drawing No:	1		
Location	Homogeneous Material	Class	Friable	Material Size		Type of Asbestos	Sample Type	% Asbestos	Sample #	
Ceiling	Sheet Rock	M	N	0	SF	Non ASB	Sampled	0	002H15	
Flooring	Tile 12 In.	m	N		SF	Non ASB	Sampled	0	B3336	
Wall	Sheet Rock	M	N	0	SF	Non ASB	Sampled	0	002H15	

SACRAMENTO CITY UNIFIED SCHOOL DISTRICT - AHERA 3 YEAR SUSPECT MATERIAL REPORT

DATE PRINTED: 7/1/2011 1

SITE: 384		WILLIAM LAND				Address: 2120 12TH STREET, Sacramento 95818				
Building No:	001	Room	O021	Description	Classroom		Drawing No:	1		
Location	Homogeneous Material	Class	Friable	Material Size	Type of Asbestos	Sample Type	% Asbestos	Sample #		
Ceiling	Sheet Rock	M	N	0 SF	Non ASB	Sampled	0	002H06		
Flooring	Tile 12 In.	m	N	SF	Non ASB	Sampled	0	B3336		
Wall	Sheet Rock	M	N	0 SF	Non ASB	Sampled	0	002H06		

Building No:	001	Room	O026	Description	Classroom		Drawing No:	1		
Location	Homogeneous Material	Class	Friable	Material Size	Type of Asbestos	Sample Type	% Asbestos	Sample #		
Ceiling	Sheet Rock	M	N	0 SF	Non ASB	Sampled	0	002H07		
Flooring	Tile 12 In.	M	N	320 SF	Serp	Sampled	1	E6003		
Flooring	Tile 12 In.	m	N	SF	Non ASB	Sampled	0	B3336		
Wall	Sheet Rock	M	N	0 SF	Non ASB	Sampled	0	002H07		

Building No:	001	Room	O08A	Description	Classroom		Drawing No:	1		
Location	Homogeneous Material	Class	Friable	Material Size	Type of Asbestos	Sample Type	% Asbestos	Sample #		
Ceiling	Acoustical Tile, Lay In	M	N	0 SF	Non ASB	Sampled	0	005H00		
Flooring	Tile 12 In.	m	N	SF	Non ASB	Sampled	0	B3336		
Wall	Sheet Rock	M	N	0 SF	Non ASB	Sampled	0	002H16		

Building No:	001	Room	O08B	Description	Classroom		Drawing No:	1		
Location	Homogeneous Material	Class	Friable	Material Size	Type of Asbestos	Sample Type	% Asbestos	Sample #		
Ceiling	Acoustical Tile, Lay In	M	N	0 SF	Non ASB	Sampled	0	005H01		
Flooring	Tile 12 In.	m	N	SF	Non ASB	Sampled	0	B3336		
Wall	Sheet Rock	M	N	0 SF	Non ASB	Sampled	0	002H16		

Building No:	001	Room	O08C	Description	Classroom		Drawing No:	1		
Location	Homogeneous Material	Class	Friable	Material Size	Type of Asbestos	Sample Type	% Asbestos	Sample #		
Ceiling	Acoustical Tile, Lay In	M	N	0 SF	Non ASB	Sampled	0	005H01		
Flooring	Tile 12 In.	m	N	SF	Non ASB	Sampled	0	B3336		
Wall	Sheet Rock	M	N	0 SF	Non ASB	Sampled	0	002H06		

SACRAMENTO CITY UNIFIED SCHOOL DISTRICT - AHERA 3 YEAR SUSPECT MATERIAL REPORT

DATE PRINTED: 7/1/2011 1

SITE: 384		WILLIAM LAND				Address: 2120 12TH STREET, Sacramento 95818				
Building No:	001	Room	O08D	Description	Classroom		Drawing No:	1		
Location	Homogeneous Material	Class	Friable	Material Size		Type of Asbestos	Sample Type	% Asbestos	Sample #	
Ceiling	Acoustical Tile, Lay In	M	N	0	SF	Non ASB	Sampled	0	005H01	
Flooring	Tile 12 In.	m	N		SF	Non ASB	Sampled	0	B3336	
Wall	Sheet Rock	M	N	0	SF	Non ASB	Sampled	0	002H16	

Building No:	001	Room	O21A	Description	Classroom		Drawing No:	1		
Location	Homogeneous Material	Class	Friable	Material Size		Type of Asbestos	Sample Type	% Asbestos	Sample #	
Ceiling	Acoustical Tile, Lay In	M	N	0	SF	Non ASB	Sampled	0	005H00	
Flooring	Tile 12 In.	m	N		SF	Non ASB	Sampled	0	B3336	
Wall	Sheet Rock	M	N	0	SF	Non ASB	Sampled	0	002H06	

Building No:	001	Room	O21B	Description	Classroom		Drawing No:	1		
Location	Homogeneous Material	Class	Friable	Material Size		Type of Asbestos	Sample Type	% Asbestos	Sample #	
Ceiling	Acoustical Tile, Lay In	M	N	0	SF	Non ASB	Sampled	0	005H00	
Flooring	Tile 12 In.	m	N		SF	Non ASB	Sampled	0	B3336	
Wall	Sheet Rock	M	N	0	SF	Non ASB	Sampled	0	002H07	

Building No:	001	Room	O21C	Description	Classroom		Drawing No:	1		
Location	Homogeneous Material	Class	Friable	Material Size		Type of Asbestos	Sample Type	% Asbestos	Sample #	
Ceiling	Acoustical Tile, Lay In	M	N	0	SF	Non ASB	Sampled	0	005H00	
Flooring	Tile 12 In.	m	N		SF	Non ASB	Sampled	0	B3336	
Wall	Sheet Rock	M	N	0	SF	Non ASB	Sampled	0	002H07	

Building No:	001	Room	O21D	Description	Classroom		Drawing No:	1		
Location	Homogeneous Material	Class	Friable	Material Size		Type of Asbestos	Sample Type	% Asbestos	Sample #	
Ceiling	Acoustical Tile, Lay In	M	N	0	SF	Non ASB	Sampled	0	005H00	
Flooring	Tile 12 In.	m	N		SF	Non ASB	Sampled	0	B3336	
Wall	Sheet Rock	M	N	0	SF	Non ASB	Sampled	0	002H07	

SACRAMENTO CITY UNIFIED SCHOOL DISTRICT - AHERA 3 YEAR SUSPECT MATERIAL REPORT

DATE PRINTED: 7/1/2011 1

SITE: 384		WILLIAM LAND				Address: 2120 12TH STREET, Sacramento 95818				
Building No:	001	Room	O26A	Description	Classroom		Drawing No:	1		
Location	Homogeneous Material	Class	Friable	Material Size		Type of Asbestos	Sample Type	% Asbestos	Sample #	
Ceiling	Acoustical Tile, Lay In	M	N	0	SF	Non ASB	Sampled	0	005H00	
Flooring	Tile 12 In.	M	N	850	SF	Serp	Sampled	1	E6003	
Flooring	Tile 12 In.	m	N		SF	Non ASB	Sampled	0	B3336	
Wall	Sheet Rock	M	N	0	SF	Non ASB	Sampled	0	002H08	

Building No:	001	Room	O26B	Description	Classroom		Drawing No:	1		
Location	Homogeneous Material	Class	Friable	Material Size		Type of Asbestos	Sample Type	% Asbestos	Sample #	
Ceiling	Acoustical Tile, Lay In	M	N	0	SF	Non ASB	Sampled	0	005H00	
Flooring	Tile 12 In.	M	N	850	SF	Serp	Sampled	1	E6003	
Flooring	Tile 12 In.	m	N		SF	Non ASB	Sampled	0	B3336	
Wall	Sheet Rock	M	N	0	SF	Non ASB	Sampled	0	002H08	

Building No:	001	Room	O26C	Description	Classroom		Drawing No:	1		
Location	Homogeneous Material	Class	Friable	Material Size		Type of Asbestos	Sample Type	% Asbestos	Sample #	
Ceiling	Acoustical Tile, Lay In	M	N	0	SF	Non ASB	Sampled	0	005H00	
Flooring	Tile 12 In.	M	N	850	SF	Serp	Sampled	1	E6003	
Flooring	Tile 12 In.	m	N		SF	Non ASB	Sampled	0	B3336	
Wall	Sheet Rock	M	N	0	SF	Non ASB	Sampled	0	002H08	

Building No:	001	Room	O26D	Description	Classroom		Drawing No:	1		
Location	Homogeneous Material	Class	Friable	Material Size		Type of Asbestos	Sample Type	% Asbestos	Sample #	
Ceiling	Acoustical Tile, Lay In	M	N	0	SF	Non ASB	Sampled	0	005H00	
Flooring	Tile 12 In.	M	N	950	SF	Serp	Sampled	1	E6003	
Flooring	Tile 12 In.	m	N		SF	Non ASB	Sampled	0	B3336	
Wall	Sheet Rock	M	N	0	SF	Non ASB	Sampled	0	002H08	

SACRAMENTO CITY UNIFIED SCHOOL DISTRICT - AHERA 3 YEAR SUSPECT MATERIAL REPORT

DATE PRINTED: 7/1/2011 1

Page 10 of 18

SITE: 384		WILLIAM LAND				Address: 2120 12TH STREET, Sacramento 95818				
Building No:	001	Room	S001	Description	Storage		Drawing No:	1		
Location	Homogeneous Material	Class	Friable	Material Size	Type of Asbestos	Sample Type	% Asbestos	Sample #		
Ceiling	Sheet Rock	M	N	0 SF	Non ASB	Sampled	0	002H00		
Flooring	Tile 12 In.	M	N	144 SF	Serp	Sampled	2	D5044		
Wall	Fire Rated Door	M	N	21 SF	Other	Assumed	N/A			
Wall	Sheet Rock	M	N	0 SF	Non ASB	Sampled	0	002H00		

Building No:	001	Room	S004	Description	Storage		Drawing No:	1		
Location	Homogeneous Material	Class	Friable	Material Size	Type of Asbestos	Sample Type	% Asbestos	Sample #		
Ceiling	Sheet Rock	M	N	0 SF	Non ASB	Sampled	0	002H02		
Flooring	Tile 12 In.	M	N	144 SF	Serp	Sampled	2	D5044		
HVAC	Duct Seal	M	N	0 SF	Non ASB	Sampled	0	001H00		
Wall	Sheet Rock	M	N	0 SF	Non ASB	Sampled	0	002H02		

Building No:	001	Room	S008	Description	Storage		Drawing No:	1		
Location	Homogeneous Material	Class	Friable	Material Size	Type of Asbestos	Sample Type	% Asbestos	Sample #		
Ceiling	Sheet Rock	M	N	0 SF	Non ASB	Sampled	0	002H10		
Wall	Fire Rated Door	M	N	21 SF	Other	Assumed	N/A			
Wall	Sheet Rock	M	N	0 SF	Non ASB	Sampled	0	002H10		

Building No:	001	Room	S010	Description	Storage		Drawing No:	1		
Location	Homogeneous Material	Class	Friable	Material Size	Type of Asbestos	Sample Type	% Asbestos	Sample #		
Ceiling	Sheet Rock	M	N	0 SF	Non ASB	Sampled	0	002H19		
Wall	Fire Rated Door	M	N	21 SF	Other	Assumed	N/A			
Wall	Sheet Rock	M	N	0 SF	Non ASB	Sampled	0	002H19		

Building No:	001	Room	S017	Description	Storage		Drawing No:	1		
Location	Homogeneous Material	Class	Friable	Material Size	Type of Asbestos	Sample Type	% Asbestos	Sample #		
Ceiling	Sheet Rock	M	N	0 SF	Non ASB	Sampled	0	002H17		
Wall	Fire Rated Door	M	N	21 SF	Other	Assumed	N/A			
Wall	Sheet Rock	M	N	0 SF	Non ASB	Sampled	0	002H17		

SACRAMENTO CITY UNIFIED SCHOOL DISTRICT - AHERA 3 YEAR SUSPECT MATERIAL REPORT

DATE PRINTED: 7/1/2011 1

SITE: 384		WILLIAM LAND				Address: 2120 12TH STREET, Sacramento 95818				
Building No:	001	Room	S019	Description	Storage		Drawing No:	1		
Location	Homogeneous Material	Class	Friable	Material Size	Type of Asbestos	Sample Type	% Asbestos	Sample #		
Ceiling	Acoustical Tile	M	N	56 SF	Non ASB	Sampled	0	T1599		
Ceiling	Sheet Rock	M	N	0 SF	Non ASB	Sampled	0	002H05		
Wall	Sheet Rock	M	N	0 SF	Non ASB	Sampled	0	002H05		

Building No:	001	Room	T002	Description	Toilet		Drawing No:	1		
Location	Homogeneous Material	Class	Friable	Material Size	Type of Asbestos	Sample Type	% Asbestos	Sample #		
Ceiling	Sheet Rock	M	N	0 SF	Non ASB	Sampled	0	002H04		
Wall	Sheet Rock	M	N	0 SF	Non ASB	Sampled	0	002H04		

Building No:	001	Room	T003	Description	Toilet		Drawing No:	1		
Location	Homogeneous Material	Class	Friable	Material Size	Type of Asbestos	Sample Type	% Asbestos	Sample #		
Ceiling	Sheet Rock	M	N	0 SF	Non ASB	Sampled	0	002H04		
Wall	Sheet Rock	M	N	0 SF	Non ASB	Sampled	0	002H04		

Building No:	001	Room	T005	Description	Toilet		Drawing No:	1		
Location	Homogeneous Material	Class	Friable	Material Size	Type of Asbestos	Sample Type	% Asbestos	Sample #		
Ceiling	Sheet Rock	M	N	0 SF	Non ASB	Sampled	0	002H08		
Wall	Sheet Rock	M	N	0 SF	Non ASB	Sampled	0	002H08		

Building No:	001	Room	T009	Description	Toilet		Drawing No:	1		
Location	Homogeneous Material	Class	Friable	Material Size	Type of Asbestos	Sample Type	% Asbestos	Sample #		
Ceiling	Sheet Rock	M	N	0 SF	Non ASB	Sampled	0	002H10		
Wall	Sheet Rock	M	N	0 SF	Non ASB	Sampled	0	002H10		

Building No:	001	Room	T010	Description	Toilet		Drawing No:	1		
Location	Homogeneous Material	Class	Friable	Material Size	Type of Asbestos	Sample Type	% Asbestos	Sample #		
Ceiling	Sheet Rock	M	N	0 SF	Non ASB	Sampled	0	002H14		
Wall	Sheet Rock	M	N	0 SF	Non ASB	Sampled	0	002H14		

SACRAMENTO CITY UNIFIED SCHOOL DISTRICT - AHERA 3 YEAR SUSPECT MATERIAL REPORT

DATE PRINTED: 7/1/2011 1

Page 12 of 18

SITE: 384		WILLIAM LAND				Address: 2120 12TH STREET, Sacramento 95818				
Building No:	001	Room	T011	Description	Toilet		Drawing No:	1		
Location		Homogeneous Material		Class	Friable	Material Size	Type of Asbestos	Sample Type	% Asbestos	Sample #
Ceiling		Sheet Rock		M	N	0 SF	Non ASB	Sampled	0	002H15
Wall		Sheet Rock		M	N	0 SF	Non ASB	Sampled	0	002H15

Building No:	001	Room	T012	Description	Toilet		Drawing No:	1		
Location		Homogeneous Material		Class	Friable	Material Size	Type of Asbestos	Sample Type	% Asbestos	Sample #
Ceiling		Sheet Rock		M	N	0 SF	Non ASB	Sampled	0	002H15
Wall		Sheet Rock		M	N	0 SF	Non ASB	Sampled	0	002H15

Building No:	001	Room	T10D	Description	Toilet		Drawing No:	1		
Location		Homogeneous Material		Class	Friable	Material Size	Type of Asbestos	Sample Type	% Asbestos	Sample #
Ceiling		Sheet Rock		M	N	0 SF	Non ASB	Sampled	0	002H18
Wall		Sheet Rock		M	N	0 SF	Non ASB	Sampled	0	002H18

Building No:	001	Room	U012	Description	Multipurpose/Cafeteria		Drawing No:	1		
Location		Homogeneous Material		Class	Friable	Material Size	Type of Asbestos	Sample Type	% Asbestos	Sample #
Ceiling		Acoustical Tile		M	N	2200 SF	Non ASB	Sampled	0	T1599
Wall		Acoustical Tile		M	N	700 SF	Non ASB	Sampled	0	T1933
Wall		Sheet Rock		M	N	0 SF	Non ASB	Sampled	0	002H03

Building No:	001	Room	U12A	Description	Multipurpose/Cafeteria		Drawing No:	1		
Location		Homogeneous Material		Class	Friable	Material Size	Type of Asbestos	Sample Type	% Asbestos	Sample #
Ceiling		Sheet Rock		M	N	0 SF	Non ASB	Sampled	0	002H02
Wall		Sheet Rock		M	N	0 SF	Non ASB	Sampled	0	002H02

Building No:	001	Room	X009	Description	Library		Drawing No:	1		
Location		Homogeneous Material		Class	Friable	Material Size	Type of Asbestos	Sample Type	% Asbestos	Sample #
Ceiling		Acoustical Tile, Lay In		M	N	0 SF	Non ASB	Sampled	0	005H01
Ceiling		Sheet Rock		M	N	0 SF	Non ASB	Sampled	0	002H17
Flooring		Tile 12 In.		m	N	SF	Non ASB	Sampled	0	B3336
Wall		Sheet Rock		M	N	0 SF	Non ASB	Sampled	0	002H17

SACRAMENTO CITY UNIFIED SCHOOL DISTRICT - AHERA 3 YEAR SUSPECT MATERIAL REPORT

DATE PRINTED: 7/1/2011 1

Page 13 of 18

SITE: 384 WILLIAM LAND Address: 2120 12TH STREET, Sacramento 95818

Building No: 001 Room Z10A Description Misc. Room Drawing No: 1

Location	Homogeneous Material	Class	Friable	Material Size	Type of Asbestos	Sample Type	% Asbestos	Sample #
Ceiling	Acoustical Tile, Lay In	M	N	0 SF	Non ASB	Sampled	0	005H01
Wall	Sheet Rock	M	N	0 SF	Non ASB	Sampled	0	002H19

Building No: 001 Room ZA01 Description Attic Drawing No: 3

Location	Homogeneous Material	Class	Friable	Material Size	Type of Asbestos	Sample Type	% Asbestos	Sample #
Misc.	Attic Insulation	M	N	SF	Non ASB	Sampled	0	L1460
Wall	Sheet Rock	M	N	0 SF	Non ASB	Sampled	0	002H01

Building No: 001 Room ZA03 Description Attic Drawing No: 3

Location	Homogeneous Material	Class	Friable	Material Size	Type of Asbestos	Sample Type	% Asbestos	Sample #
Ceiling	Sheet Rock	M	N	0 SF	Non ASB	Sampled	0	002H01
HVAC	Duct Seal	M	N	0 SF	Non ASB	Sampled	0	001H00
Misc.	Attic Insulation	M	N	SF	Non ASB	Sampled	0	L1460
Wall	Sheet Rock	M	N	0 SF	Non ASB	Sampled	0	002H03

Building No: 001 Room ZA04 Description Attic Drawing No: 3

Location	Homogeneous Material	Class	Friable	Material Size	Type of Asbestos	Sample Type	% Asbestos	Sample #
Ceiling	Sheet Rock	M	N	0 SF	Non ASB	Sampled	0	002H04
HVAC	Duct Seal	M	N	0 SF	Non ASB	Sampled	0	001H00
Misc.	Attic Insulation	M	N	SF	Non ASB	Sampled	0	L1460
Wall	Sheet Rock	M	N	0 SF	Non ASB	Sampled	0	002H04

Building No: 001 Room ZA05 Description Attic Drawing No: 3

Location	Homogeneous Material	Class	Friable	Material Size	Type of Asbestos	Sample Type	% Asbestos	Sample #
Misc.	Attic Insulation	M	N	SF	Non ASB	Sampled	0	L1460

Building No: 001 Room ZA06 Description Attic Drawing No: 3

Location	Homogeneous Material	Class	Friable	Material Size	Type of Asbestos	Sample Type	% Asbestos	Sample #
HVAC	Duct Seal	M	N	0 SF	Non ASB	Sampled	0	001H00
Misc.	Attic Insulation	M	N	SF	Non ASB	Sampled	0	L1460

SACRAMENTO CITY UNIFIED SCHOOL DISTRICT - AHERA 3 YEAR SUSPECT MATERIAL REPORT

DATE PRINTED: 7/1/2011 1

SITE: 384		WILLIAM LAND				Address: 2120 12TH STREET, Sacramento 95818			
Building No:	001	Room	ZA07	Description	Attic		Drawing No:	3	
Location		Homogeneous Material	Class	Friable	Material Size	Type of Asbestos	Sample Type	% Asbestos	Sample #
Misc.		Attic Insulation	M	N	SF	Non ASB	Sampled	0	L1460

Building No:	001	Room	ZA08	Description	Attic		Drawing No:	3	
Location		Homogeneous Material	Class	Friable	Material Size	Type of Asbestos	Sample Type	% Asbestos	Sample #
Misc.		Attic Insulation	M	N	SF	Non ASB	Sampled	0	L1460

Building No:	001	Room	ZA09	Description	Attic		Drawing No:	3	
Location		Homogeneous Material	Class	Friable	Material Size	Type of Asbestos	Sample Type	% Asbestos	Sample #
Misc.		Attic Insulation	M	N	SF	Non ASB	Sampled	0	L1460

Building No:	001	Room	ZA10	Description	Attic		Drawing No:	3	
Location		Homogeneous Material	Class	Friable	Material Size	Type of Asbestos	Sample Type	% Asbestos	Sample #
Misc.		Attic Insulation	M	N	SF	Non ASB	Sampled	0	L1460

Building No:	001	Room	ZA11	Description	Attic		Drawing No:	3	
Location		Homogeneous Material	Class	Friable	Material Size	Type of Asbestos	Sample Type	% Asbestos	Sample #
Misc.		Attic Insulation	M	N	SF	Non ASB	Sampled	0	L1460

Building No:	001	Room	ZA12	Description	Attic		Drawing No:	3	
Location		Homogeneous Material	Class	Friable	Material Size	Type of Asbestos	Sample Type	% Asbestos	Sample #
Misc.		Attic Insulation	M	N	SF	Non ASB	Sampled	0	L1460

Building No:	001	Room	ZA13	Description	Attic		Drawing No:	3	
Location		Homogeneous Material	Class	Friable	Material Size	Type of Asbestos	Sample Type	% Asbestos	Sample #
Ceiling		Sheet Rock	M	N	0 SF	Non ASB	Sampled	0	002H01
Misc.		Attic Insulation	M	N	SF	Non ASB	Sampled	0	L1462

SACRAMENTO CITY UNIFIED SCHOOL DISTRICT - AHERA 3 YEAR SUSPECT MATERIAL REPORT

DATE PRINTED: 7/1/2011 1

Page 15 of 18

SITE: 384		WILLIAM LAND				Address: 2120 12TH STREET, Sacramento 95818			
Building No:	001	Room	ZA14	Description	Attic		Drawing No:	3	
Location	Homogeneous Material	Class	Friable	Material Size	Type of Asbestos	Sample Type	% Asbestos	Sample #	
Misc.	Attic Insulation	M	N	SF	Non ASB	Sampled	0	L1460	

Building No:	001	Room	ZC02	Description	Pipe Chase		Drawing No:	3	
Location	Homogeneous Material	Class	Friable	Material Size	Type of Asbestos	Sample Type	% Asbestos	Sample #	
Ceiling	Sheet Rock	M	N	0 SF	Non ASB	Sampled	0	002H02	
Wall	Sheet Rock	M	N	0 SF	Non ASB	Sampled	0	002H02	

Building No:	001	Room	ZEXT	Description	Exterior		Drawing No:	1	
Location	Homogeneous Material	Class	Friable	Material Size	Type of Asbestos	Sample Type	% Asbestos	Sample #	
Exterior, Wall	Plaster	S	N	12000 SF	Non ASB	Sampled	0	E6000	
Exterior, Wall	Putty/Caulk	M	N	SF	Non ASB	Sampled	0	B1811	Behind AC Unit
Exterior, Wall	Tar	M	N	SF	Serp	Sampled	8	B1837	Tar like seal, at roof drain into pipe at ground level

SACRAMENTO CITY UNIFIED SCHOOL DISTRICT - AHERA 3 YEAR SUSPECT MATERIAL REPORT

DATE PRINTED: 7/1/2011 1

Page 16 of 18

SITE: 384		WILLIAM LAND				Address: 2120 12TH STREET, Sacramento 95818				
Building No:	002	Room	C001	Description	Office		Drawing No:	2		
Location	Homogeneous Material	Class	Friable	Material Size	Type of Asbestos	Sample Type	% Asbestos	Sample #		
Ceiling	Acoustical Tile	M	N	112 SF	Non ASB	Sampled	0	T1602		
Ceiling	Sheet Rock	M	N	0 SF	Non ASB	Sampled	0	002H22		
Wall	Sheet Rock	M	N	0 SF	Non ASB	Sampled	0	002H23		

Building No:	002	Room	M002	Description	Mechanical Room		Drawing No:	2		
Location	Homogeneous Material	Class	Friable	Material Size	Type of Asbestos	Sample Type	% Asbestos	Sample #		
Ceiling	Sheet Rock	M	N	0 SF	Non ASB	Sampled	0	002H24		
Wall	Sheet Rock	M	N	0 SF	Non ASB	Sampled	0	002H23		

Building No:	002	Room	M005	Description	Mechanical Room		Drawing No:	2		
Location	Homogeneous Material	Class	Friable	Material Size	Type of Asbestos	Sample Type	% Asbestos	Sample #		
Ceiling	Sheet Rock	M	N	0 SF	Non ASB	Sampled	0	002H24		
Wall	Sheet Rock	M	N	0 SF	Non ASB	Sampled	0	002H24		

Building No:	002	Room	M006	Description	Mechanical Room		Drawing No:	2		
Location	Homogeneous Material	Class	Friable	Material Size	Type of Asbestos	Sample Type	% Asbestos	Sample #		
Ceiling	Sheet Rock	M	N	0 SF	Non ASB	Sampled	0	002H24		
Wall	Sheet Rock	M	N	0 SF	Non ASB	Sampled	0	002H24		

Building No:	002	Room	Y003	Description	Kindergarten		Drawing No:	2		
Location	Homogeneous Material	Class	Friable	Material Size	Type of Asbestos	Sample Type	% Asbestos	Sample #		
Ceiling	Acoustical Tile, Lay In	M	N	0 SF	Non ASB	Sampled	0	005B00		
Ceiling	Sheet Rock	M	N	0 SF	Non ASB	Sampled	0	002H22		
Flooring	Tile 12 In.	M	N	1100 SF	Serp	Sampled	1	E6008	Under newer flooring	
Wall	Plaster	S	N	336 SF	Non ASB	Sampled	0	D5038		
Wall	Sheet Rock	M	N	0 SF	Non ASB	Sampled	0	002H23		

SACRAMENTO CITY UNIFIED SCHOOL DISTRICT - AHERA 3 YEAR SUSPECT MATERIAL REPORT

DATE PRINTED: 7/1/2011 1

Page 17 of 18

SITE: 384 | **WILLIAM LAND** | **Address: 2120 12TH STREET, Sacramento 95818**

Building No: 002 | **Room Y004** | **Description Kindergarten** | **Drawing No: 2**

Location	Homogeneous Material	Class	Friable	Material Size	Type of Asbestos	Sample Type	% Asbestos	Sample #
Ceiling	Acoustical Tile, Lay In	M	N	0 SF	Non ASB	Sampled	0	005H01
Ceiling	Sheet Rock	M	N	0 SF	Non ASB	Sampled	0	002H23
Flooring	Tile 12 In.	M	N	1100 SF	Serp	Sampled	1	E6008
Wall	Plaster	S	N	336 SF	Non ASB	Sampled	0	D5038
Wall	Sheet Rock	M	N	0 SF	Non ASB	Sampled	0	002H22

Building No: 002 | **Room ZA09** | **Description Attic** | **Drawing No: 4**

Location	Homogeneous Material	Class	Friable	Material Size	Type of Asbestos	Sample Type	% Asbestos	Sample #
Misc.	Attic Insulation	M	N	2000 SF	Non ASB	Sampled	0	L1536

Building No: 002 | **Room ZEXT** | **Description Exterior** | **Drawing No: 2**

Location	Homogeneous Material	Class	Friable	Material Size	Type of Asbestos	Sample Type	% Asbestos	Sample #
Exterior, Wall	Plaster	S	N	4000 SF	Non ASB	Sampled	0	E6000

Building No: 003 | **Room S0Y1** | **Description Storage** | **Drawing No: 2** | **Built With Non-Asbestos Materials**

Location	Homogeneous Material	Class	Friable	Material Size	Type of Asbestos	Sample Type	% Asbestos	Sample #
----------	----------------------	-------	---------	---------------	------------------	-------------	------------	----------

SACRAMENTO CITY UNIFIED SCHOOL DISTRICT - AHERA 3 YEAR SUSPECT MATERIAL REPORT

DATE PRINTED: 7/1/2011 1

Page 18 of 18

SITE: 384		WILLIAM LAND				Address: 2120 12TH STREET, Sacramento 95818				
Building No:	P01	Room	O27A	Description	Classroom		Drawing No:	1		
Location	Homogeneous Material		Class	Friable	Material Size		Type of Asbestos	Sample Type	% Asbestos	Sample #
Ceiling	Acoustical Tile, Lay In		M	N	960	SF	Non ASB	Sampled	0	T1600
Flooring	Tile 12 In.		M	N	960	SF	Non ASB	Sampled	0	D5042
Wall	Sheet Rock		M	N	900	SF	Non ASB	Sampled	0	L1452

Building No:	P01	Room	O27B	Description	Classroom		Drawing No:	1		
Location	Homogeneous Material		Class	Friable	Material Size		Type of Asbestos	Sample Type	% Asbestos	Sample #
Ceiling	Acoustical Tile, Splined		M	N	960	SF	Non ASB	Sampled	0	E6007
Ceiling	Sheet Rock		M	N	14	SF	Non ASB	Sampled	0	L1455 In heater closet
Flooring	Tile 12 In.		M	N	960	SF	Non ASB	Sampled	0	D5042
Flooring	Tile 9 In. & Floor Mastic		M	N	960	SF	Other	Assumed	N/A	Under newer flooring
HVAC	Flex Joint		M	N	6	SF	Other	Assumed	N/A	
Wall	Sheet Rock		M	N	120	SF	Non ASB	Sampled	0	L1458 In heater closet

Building No:	P01	Room	O27C	Description	Classroom		Drawing No:	1		
Location	Homogeneous Material		Class	Friable	Material Size		Type of Asbestos	Sample Type	% Asbestos	Sample #
Ceiling	Acoustical Tile, Lay In		M	N	960	SF	Non ASB	Sampled	0	T1600
Flooring	Tile 12 In.		M	N	960	SF	Non ASB	Sampled	0	D5042
Wall	Sheet Rock		M	N	900	SF	Non ASB	Sampled	0	L1452

Building No:	P01	Room	O27D	Description	Classroom		Drawing No:	1		
Location	Homogeneous Material		Class	Friable	Material Size		Type of Asbestos	Sample Type	% Asbestos	Sample #
Ceiling	Acoustical Tile, Lay In		M	N	960	SF	Non ASB	Sampled	0	E6007
Flooring	Tile 12 In.		M	N	960	SF	Non ASB	Sampled	0	D5042
Wall	Sheet Rock		M	N	900	SF	Non ASB	Sampled	0	L1452