



**Business Services  
Contracts Office**

5735 47th Avenue • Sacramento, CA 95824  
(916) 643-2464

*Gerardo Castillo, Chief Business Officer  
Kimberly Teague, Contract Specialist*

**ADDENDUM NO. 1**

**Date:** September 7, 2016

**Issued by:** Sacramento City Unified School District

**Project:** **Re-Plaster of Swimming Pool at Rosemont High School**

You are hereby notified of the following changes, clarifications, or modifications to the original Contract Documents, Specifications, and Drawings. This Addendum shall supersede the original project documents, and shall take precedence over anything to the contrary therein. All Addenda shall be acknowledged in the Bid Form. Failure to do so may result in disqualification of the bid. All other conditions remain unchanged.

---

1. C-53 License is acceptable (Swimming Pool Contractor).
2. Remove & replace deck caulking joint between tile and coping with Deco seal Mastic gray sand finish.
3. Pentair Lighting Specifications (attached).
4. Remove and replace all tiles.
5. Lane lines and target tile to match existing.

**END OF ADDENDUM NO. 1**

Attachments



---

# LIGHTING





# INTELLIBRITE® 5G COLOR LED LIGHTS

## UNDERWATER LED LIGHTS FOR SWIMMING POOLS AND SPAS



### Featured Highlights

- A superior reflector design assures more light is directed toward the pool bottom to further increase intensity and color effects, while minimizing glare
- Superior lens geometry distributes light in an optimum way to avoid "hot spots" on the pool bottom. Light intensity and color are distributed more uniformly throughout your pool.
- Pool lens can be rotated to 180 degrees to provide wide beam pattern (standard) or narrow beam pattern
- IntelliBrite LED Light technology makes use of the brightest and most energy efficient LED's available in underwater pool and spa lights – up to 50% less energy consumption than competitor's lights
- Set one of 5 predetermined fixed colors to match or create the mood for the evening – blue, green, magenta, white, and red or select from 7 popular "color shows" that come preprogrammed into IntelliBrite Light
- IntelliBrite LED Light was designed to work with IntelliTouch® and EasyTouch® Automation, the leading control systems for pool, spa, and poolscape equipment automation. In effect, you transfer control of IntelliBrite light to the IntelliTouch or EasyTouch system which controls all your other backyard and pool features.
- IntelliBrite 5g Color Pool and Spa lights are backwards compatible with first generation IntelliBrite lights
- Compatible with Pentair stainless steel and plastic niches



IntelliBrite 5g Color LED Pool and Spa Lights

IntelliBrite Lights automated color-changing pool and spa lights feature LED technology—the wave of the future in energy—efficiency, lifetime value, quality of light, and controllability. With IntelliBrite lights, combinations of individual colored LED's are mixed and matched to achieve a vibrant spectrum of colors. These combinations are power sequenced to illuminate and cycle through colors at varying speeds, and in different sequences of color. Combined with a custom reflector and unique lens design, IntelliBrite lights offers superb efficiency while being the brightest yet most energy efficient underwater LED light available.

All Pentair UL Listed underwater lights are certified for use in fresh water with up to 6,000 ppm salinity.

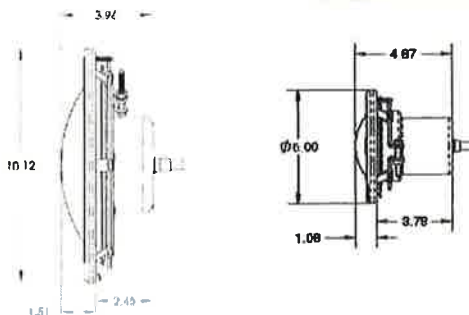
### Ordering Information

Product	Voltage	Wattage	Cord Length (Ft.)	Carton Qty.
INTELLIBRITE 5g COLOR POOL LIGHTS				
601000	120	26W	30	1
601001	120	26W	50	1
601002	120	26W	100	1
601003	120	26W	150	1
601004	120	26W	250	1
601010	12	26W	30	1
601011	12	26W	50	1
601012	12	26W	100	1
601013	12	26W	150	1

Product	Voltage	Wattage	Cord Length (Ft.)	Carton Qty.
INTELLIBRITE 5g COLOR SPA LIGHTS				
640120	120	18W	30	1
640121	120	18W	50	1
640122	120	18W	100	1
640123	120	18W	150	1
640124	120	18W	250	1
640130	12	18W	30	1
640131	12	18W	50	1
640132	12	18W	100	1
640133	12	18W	150	1

Note: All 120 volt pool and spa lights must be connected to a branch circuit protected by a ground fault circuit interrupter (GFCI)

Notice: Underwriter's Laboratories has listed Pentair Water Pool and Spa, Inc. lights for use with Pentair Water Pool and Spa, Pentair Pool Products, American Products, Purex, or PacFab niches ONLY. To ensure proper grounding/bonding connections install only Pentair Water Pool and Spa lights in Pentair, Water Pool and Spa, Pentair Pool Products, American Products, Purex or PacFab niches only.



Please refer to pages 120-122 for Canadian listed Pool Lights.

See pages 476-477 for replacement parts.

# INTELLIBRITE® 5g WHITE LED LIGHTS

## UNDERWATER LED LIGHTS FOR SWIMMING POOLS AND SPAS



IntelliBrite 5g White LED Pool Light



### Featured Highlights

- The brightest most energy efficient white LED pool light on the market
- Energy efficient utilizing up to 86% less energy than comparable incandescent lights
- Superior lens geometry and innovative reflector design combine to create a wider beam and more uniform light distribution
- Pool lens can be rotated to 180 degrees to provide wide beam pattern (standard) or narrow beam pattern
- Compatible with Pentair stainless steel and plastic niches
- Available in 120V and 12V versions
- Available in 300W, 400W, and 500W Incandescent equivalences

IntelliBrite 5g White LED light offers a brighter, more energy efficient alternative to incandescent white lighting. Utilizing its array of LEDs, it is also ideal for commercial applications.

All Pentair UL Listed underwater lights are certified for use in fresh water with up to 6,000 ppm salinity.

### Ordering Information for Pool Lights

Product	Voltage	Wattage	Cord Length (Ft.)	Incandescent Equivalency	Carton Qty.
<b>INTELLIBRITE 5g WHITE POOL LIGHTS - 300 WATT EQUIVALENT, 120 VOLT</b>					
601100	120V	40	30 ft.	300W Equivalency	1
601101	120V	40	50 ft.	300W Equivalency	1
601102	120V	40	100 ft.	300W Equivalency	1
601103	120V	40	150 ft.	300W Equivalency	1
601104	120V	40	250 ft.	300W Equivalency	1
<b>INTELLIBRITE 5g WHITE POOL LIGHTS - 300 WATT EQUIVALENT, 12 VOLT</b>					
601105	12V	40	30 ft.	300W Equivalency	1
601106	12V	40	50 ft.	300W Equivalency	1
601107	12V	40	100 ft.	300W Equivalency	1
601108	12V	40	150 ft.	300W Equivalency	1
<b>INTELLIBRITE 5g WHITE POOL LIGHTS - 400 WATT EQUIVALENT, 120 VOLT</b>					
601200	120V	48	30 ft.	400W Equivalency	1
601201	120V	48	50 ft.	400W Equivalency	1
601202	120V	48	100 ft.	400W Equivalency	1
601203	120V	48	150 ft.	400W Equivalency	1
601204	120V	48	250 ft.	400W Equivalency	1
<b>INTELLIBRITE 5g WHITE POOL LIGHTS - 400 WATT EQUIVALENT, 12 VOLT</b>					
601205	12V	48	30 ft.	400W Equivalency	1
601206	12V	48	50 ft.	400W Equivalency	1
601207	12V	48	100 ft.	400W Equivalency	1
601208	12V	48	150 ft.	400W Equivalency	1
<b>INTELLIBRITE 5g WHITE POOL LIGHTS - 500 WATT EQUIVALENT, 120 VOLT</b>					
601300	120V	55	30 ft.	500W Equivalency	1
601301	120V	55	50 ft.	500W Equivalency	1
601302	120V	55	100 ft.	500W Equivalency	1
601303	120V	55	150 ft.	500W Equivalency	1
601304	120V	55	250 ft.	500W Equivalency	1
<b>INTELLIBRITE 5g WHITE POOL LIGHTS - 500 WATT EQUIVALENT, 12 VOLT</b>					
601305	12V	55	30 ft.	500W Equivalency	1
601306	12V	55	50 ft.	500W Equivalency	1
601307	12V	55	100 ft.	500W Equivalency	1
601308	12V	55	150 ft.	500W Equivalency	1

Please refer to pages 120-122 for Canadian listed Pool Lights.

# INTELLIBRITE® 5G WHITE LED LIGHTS (CONT'D)

## UNDERWATER LED LIGHTS FOR SWIMMING POOLS AND SPAS

### Ordering Information for Spa Lights

Product	Voltage	Wattage	Cord Length (Ft.)	Incandescent Equivalency	Carton Qty.	Carton Wt. (Lbs.)
INTELLIBRITE 5g WHITE SPA LIGHTS - 120 VOLT						
640140	120V	18W	30 ft.	100W Equivalency	1	6.5
640141	120V	18W	50 ft.	100W Equivalency	1	8
640142	120V	18W	100 ft.	100W Equivalency	1	12
640143	120V	18W	150 ft.	100W Equivalency	1	16
640144	120V	18W	250 ft.	100W Equivalency	1	25
INTELLIBRITE 5g WHITE SPA LIGHTS - 12 VOLT						
640150	12V	18W	30 ft.	100W Equivalency	1	5.5
640151	12V	18W	50 ft.	100W Equivalency	1	7
640152	12V	18W	100 ft.	100W Equivalency	1	11
640153	12V	18W	150 ft.	100W Equivalency	1	18

**Warning:** The IntelliBrite White LED light cannot be used with a dimmer circuit. Using a dimmer switch will result in permanent damage to the light.

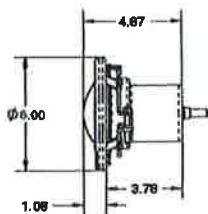
### Dimensions and Certifications

Note: All 120 volt pool and spa lights must be connected to a branch circuit protected by a ground fault circuit interrupter (GFCI).

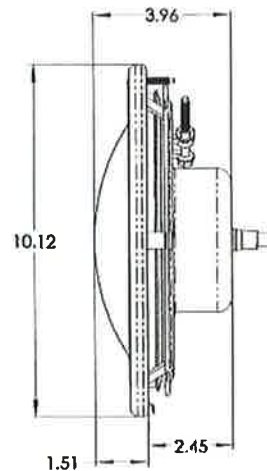
Notice: Underwriters Laboratories has listed Pentair Water Pool and Spa, Inc. lights for use with Pentair Water Pool and Spa, Pentair Pool Products, American Products, Purex, or PacFab niches ONLY. To ensure proper grounding/bonding connections install only Pentair Water Pool and Spa lights in Pentair, Water Pool and Spa, Pentair Pool Products, American Products, Purex or PacFab niches only.



Please refer to pages 120-122 for Canadian listed Pool Lights.



IntelliBrite White Spa Light Dimensions



IntelliBrite White Pool Light Dimensions

See pages 478-479 for replacement parts.

# INTELLIBRITE® COLOR LANDSCAPE LIGHTS

## COLOR LED LIGHTS FOR LANDSCAPES



IntelliBrite Landscape Lights



### Featured Highlights

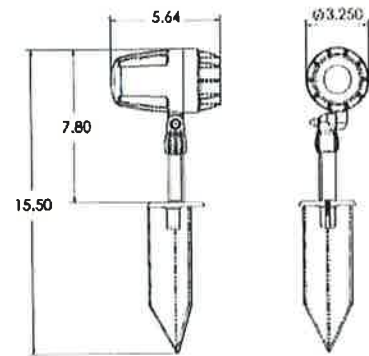
- Ability to Synchronize with IntelliBrite Color Pool and Spa Lights
- Can be controlled by IntelliTouch® and EasyTouch® Systems
- Utilizes Energy Efficient LED technology
- 2 levels of Brightness and color saturation
- 2 suites of colors ["Landscape and IntelliBrite"]
- 40° beam width

IntelliBrite Landscape Lights, with 5 fixed colors and 7 shows are compatible with IntelliBrite Pool and Spa Lights, and can be controlled by IntelliTouch, EasyTouch and IntelliBrite Controllers. These lights can be mounted in any position on the wall or ground with an arm swing of 0° to 90°.

### Dimensions and Certifications

### Ordering Information

Product	Voltage	Wattage	Carton Qty.	Carton Wt. (Lbs.)
<b>INTELLIBRITE LANDSCAPE LIGHTS</b>				
690019	12V	15	1	2.5
<b>POOL AND LANDSCAPE RATED LIGHT TRANSFORMERS</b>				
619962	12V-14V	100	1	10
619963	12V-14V	300	1	17



See page 479 for replacement parts.

# INTELLIBRITE® CONTROLLER



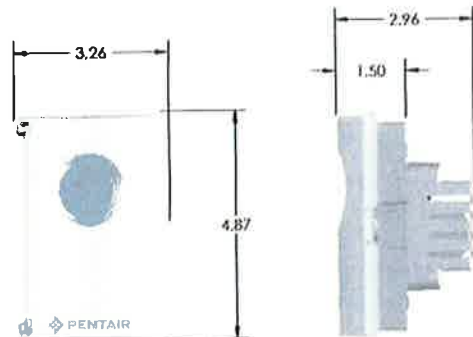
IntelliBrite Controller works with IntelliBrite Color Pool and Spa LED lights, IntelliBrite Landscape Lights, GloBrite® Lights and ColorCascade® and ColorVision™ Bubblers. It can control and synchronize both sets of lights to create dazzling shows.

### Featured Highlights

- Waterproof Outdoor LED Color Light Controller
- Quick access to all colors and shows
- Convenient hold and recall function
- Fits in 22.5 cu. in. single gang box or larger
- Illuminated power button

### Ordering Information

Product	Description	Carton Qty.	Carton Wt. (Lbs.)
<b>INTELLIBRITE POOL LIGHTS</b>			
600054	IntelliBrite Controller	1	1



### Dimensions and Certifications



See page 476 for IntelliBrite Color LED Light.

See page 479 for replacement parts.

# GLOBRITE® WHITE AND COLOR LED LIGHTS

UNDERWATER LED LIGHTS FOR SWIMMING POOLS AND SPAS



## Featured Highlights

- The brightest and most efficient LEDs available
- Can be placed in as little as 4 in. of water even in the floor pointing up
- Does not require grounding or bonding for quick and easy installations
- 5 brilliant fixed colors and 7 pre-programmed light shows
- Compatible with IntelliTouch® or EasyTouch® Control Systems for advanced control features
- Compatible with gunite, fiberglass and vinyl pools



GloBrite LED Light  
Fiberglass Niche



GloBrite LED Light  
Vinyl Niche



GloBrite LED Light  
Concrete Niche

GloBrite LED Lights use advanced technology for energy-efficient, high quality light displays, delivered with enhanced LED brightness and superior optics, while using 18% less energy than other shallow water LED lights. Globrite lights are compatible with IntelliTouch and EasyTouch control systems and IntelliBrite 5g LED pool lights. GloBrite LED lighting is a brilliant way to showcase and enhance pool features like baja shelves, steps, beach entries and shallow water features.

Note: Only GloBrite white lights have two dimming levels. GloBrite color lights cannot be dimmed.

## Ordering Information

Product	Voltage	Wattage	Cord Length (Ft.)	Carton Qty.	Carton Wt. (Lbs.)	Product	Voltage	Wattage	Cord Length (Ft.)	Carton Qty.	Carton Wt. (Lbs.)
GLOBRITE COLOR LED LIGHTS						GLOBRITE WHITE LED LIGHTS					
602053	12	15W	30	1	5	602102	12	15W	30	1	5
602054	12	15W	50	1	6	602103	12	15W	50	1	6
602055	12	15W	100	1	9	602104	12	15W	100	1	9
602056	12	15W	150	1	12	602105	12	15W	150	1	12

Product	Description	Carton Qty.	Carton Wt. (Lbs.)
GLOBRITE NICHES			
620040	Gunite Niche for GloBrite (includes white, blue, black, grey and tan rings)	1	1.3
620039	Vinyl Niche for GloBrite (includes white, blue, and grey rings)	1	1.3
620041	Fiberglass Niche for GloBrite (white)	1	1.3
620093	Fiberglass Niche for GloBrite (blue)	1	1.3
620094	Fiberglass Niche for GloBrite (grey)	1	1.3
GLOBRITE COLOR KITS			
619993	1 GloBrite Color 100 ft. with 300W Transformer + Gunite Niche	1	25
619994	2 GloBrite Color 100 ft. with 300W Transformer + 2 Gunite Niches	1	40
620051	1 GloBrite Color 100 ft. with 300W Transformer + Fiberglass Niche	1	25
620052	2 GloBrite Color 100 ft. with 300W Transformer + 2 Fiberglass Niches	1	40
620080	1 GloBrite Color 100 ft. with 300W Transformer + Vinyl Niche	1	25
620081	2 GloBrite Color 100 ft. with 300W Transformer + 2 Vinyl Niches	1	40



**GLOBRITE® WHITE AND COLOR LED LIGHTS (CONT'D)**

UNDERWATER LED LIGHTS FOR SWIMMING POOLS AND SPAS

**Ordering Information**

Product	Description	Carton Qty.	Carton Wt. (Lbs.)
<b>GLOBRITE WHITE KITS</b>			
602106	2 GloBrite White 100 ft. with 300W Transformer + 2 Gunite Niches	1	40
602107	2 GloBrite White 100 ft. with 300W Transformer + 2 Fiberglass Niches	1	40
602108	2 GloBrite White 100 ft. with 300W Transformer + 2 Vinyl Niches	1	40
<b>TRANSFORMERS (LANDSCAPE AND POOL, RATED)</b>			
619962	12V-14V      100W	1	12
619963	12V-14V      300W	1	12

All Pentair UL Listed underwater lights are certified for use in fresh water with up to 6,000 ppm salinity.

**Dimensions and Certifications**

See page 480 for replacement parts.

# AMERBRITE® WHITE AND COLOR LED LIGHTS

## REPLACEMENT LAMP FOR AMERLITE® LIGHT SERIES



### Featured Highlights

- The only UL and cUL Certified LED replacement lamp for Amerlite incandescent fixtures
- AmerBrite Color lamps use 36 watts of power. AmerBrite White lamps use 34 to 51 watts of power
- Color lamps feature 5 brilliant fixed colors; 7 dazzling pre-programmed light shows
- The brightest and most efficient LED replacement pool lamp on the market
- Superior reflector design creates more uniform light distribution
- Lens can be rotated 180 degrees to provide wide or narrow beam pattern
- LED technology provides longer life
- Solid state technology with no internal filament
- White lamps are available in 300, 400 or 500 watt equivalencies in 120V or 12V versions
- Box contains replacement lamp, silicone gasket, wide/narrow glass lens and new clamp. Must install inside original Amerlite pool light housing

**Warning:** The AmerBrite White LED light cannot be used with a dimmer circuit. Using a dimmer switch will result in permanent damage to the light.

All Pentair UL Listed underwater lights are certified for use in fresh water with up to 6,000 ppm salinity.



AmerBrite Lamp



Amerlite Housing

The AmerBrite Color and White LED lamps bring the luminous splendor of LED technology to the best-selling Amerlite light series. Its convenient Edison screw base offer a 'plug-and-play' replacement for Amerlite incandescent bulbs. Pool owners will experience the vivid luminance and efficiency of today's best and brightest pool light technology.

### Ordering Information

Product	Description	Voltage	Incandescent Equivalency	Carton Qty.	Carton Wt. (Lbs.)
<b>AMERBRITE WHITE LED</b>					
602070	AmerBrite White 12V	12	300	1	6 lb.
602075	AmerBrite White 120V	120	300	1	7.5 lb.
602071	AmerBrite White 12V	12	400	1	6 lb.
602076	AmerBrite White 120V	120	400	1	7.5
602072	AmerBrite White 12V	12	500	1	6 lb.
602077	AmerBrite White 120V	120	500	1	7.5
<b>AMERBRITE COLOR LED</b>					
602060	AmerBrite Color 12V	12	N/A	1	6 lb.
602065	AmerBrite Color 120V	120	N/A	1	8 lb.

### Dimensions and Certifications



See page 480 for replacement parts.

# AMERLITE®

## UNDERWATER INCANDESCENT LIGHTS WITH S/S FACE RINGS



Amerlite Incandescent Light

Amerlite light, the world standard of reliability for underwater lights, features a stainless steel shell, 8-3/8 in. prismatic tempered glass lens, and stainless steel face ring with uni-tension clamp. Amerlite lights are UL listed to install in full-sized Pentair Pool Products, American, PacFab and Purex niches.

### Featured Highlights

- World standard of reliability
- Stainless steel face ring with uni-tension clamp
- Superior light diffusion
- Prismatic tempered lens
- Low water cutoff
- Medium blue lenses available
- Plastic snap-on face rings available for s/s lights

All Pentair UL Listed underwater lights are certified for use in fresh water with up to 6,000 ppm salinity.

Product	Voltage	Wattage	Cord Length (Ft.)	Carton Qty.	Carton Wt. (Lbs.)
<b>AMERLITE WITH STAINLESS STEEL FACE RING - 300 WATT, 120 VOLT</b>					
78421100	120	300	15	1	6
78428100	120	300	50	1	10
78928500	120	300	100	1	15
78927000	120	300	150	1	20
78927900	120	300	200	1	25
<b>AMERLITE WITH STAINLESS STEEL FACE RING - 400 WATT, 120 VOLT</b>					
78441100	120	400	15	1	6
78448100	120	400	50	1	10
78949100	120	400	100	1	15
78447100	120	400	150	1	20
78449100	120	400	200	1	25
<b>AMERLITE WITH STAINLESS STEEL FACE RING - 500 WATT, 120 VOLT</b>					
78451100	120	500	15	1	6
78458100	120	500	50	1	10
78456300	120	500	100	1	15
78457100	120	500	150	1	20
78459100	120	500	200	1	25
78458300	120	500	250	1	35
<b>AMERLITE WITH STAINLESS STEEL FACE RING - 100 WATT, 12 VOLT</b>					
78411100	12	100	15	1	6
78418100	12	100	50	1	10
78415100	12	100	100	1	15

# AMERLITE® (CONT'D)

## UNDERWATER INCANDESCENT LIGHTS WITH S/S FACE RINGS

Product	Voltage	Wattage	Cord Length (Ft.)	Carton Qty.	Carton Wt. (Lbs.)
<b>AMERLITE WITH STAINLESS STEEL FACE RING - 300 WATT, 12 VOLT</b>					
78431100	12	300	15	1	10
78438100	12	300	50	1	17
78435100	12	300	100	1	20
<b>STAINLESS STEEL AMERLITE WITH MEDIUM BLUE LENS - 400 WATT, 120 VOLT</b>					
78444200	120	400	30	1	8
78448200	120	400	50	1	10
78950100	120	400	100	1	15
<b>STAINLESS STEEL AMERLITE WITH MEDIUM BLUE LENS - 500 WATT, 120 VOLT</b>					
78454200	120	500	30	1	8
78458200	120	500	50	1	10
78958500	120	500	100	1	15
<b>LENS, COVERS, AND FACE RINGS FOR AMERLITE</b>					
79100100	Clear Lens, tempered			1	1
79100200	Medium Blue Lens, tempered			1	1/2
78900100	Plastic Snap-on Color Lens Kit (Blue, Green, Red)			1	1
79110600	Stainless Steel Face Ring			1	1/2
79213100	Plastic Snap-on face ring (white), Qty. 24			24	2
79212165	Plastic Snap-on face ring (Grey) Qty. 1			1	1/2
79212111	Plastic Snap-on face ring (Black) Qty. 1			1	1/2

Please refer to pages 170-127 for Canadian listed Pool Lights

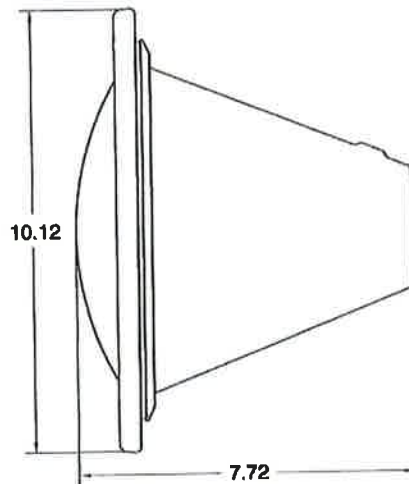
### Dimensions and Certifications



Note: All 120 volt pool and spa lights must be connected to a branch circuit protected by a ground fault circuit interrupter (GFCI).

Note: All cord lengths over 50 feet on 12 volt lights create resistance that dramatically reduces the light output. This condition exists on all low voltage lights regardless of design or manufacturer.

Notice: Underwriters Laboratories has listed Pentair Water Pool and Spa, Inc. lights for use with Pentair Water Pool and Spa, Pentair Pool Products, American Products, Purex, or PacFab niches ONLY. To ensure proper grounding/bonding connections install only Pentair Water Pool and Spa lights in Pentair, Water Pool and Spa, Pentair Pool Products, American Products, Purex or PacFab niches only.



See page 483 for replacement parts.

# SPABRITE®

## INCANDESCENT LIGHTS FOR SWIMMING POOLS AND SPAS



SpaBrite Incandescent Lights

SpaBrite lights are available with stainless steel face rings. These lights are perfect for spas and areas where space is not available for a full-size light. SpaBrite lights install in small plastic or stainless steel Pentair niches.

### Featured Highlights

- Stainless steel face rings
- Prismatic tempered glass lens
- Stainless steel housing
- Easy service stainless steel clamp
- Incandescent 12V and Halogen 120V lamp
- Low water cutoff
- Easy to service
- Plastic snap-on colored face ring covers available

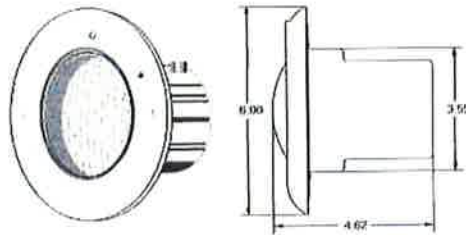
### Ordering Information

Product	Voltage	Wattage	Cord Length (Ft.)	Carton Qty.	Carton Wt. (Lbs.)
<b>SPABRITE HALOGEN LIGHTS WITH STAINLESS STEEL FACE RING - 120 VOLT</b>					
78106000	120	60W (100W equivalency)	30	1	7
78106100	120	60W (100W equivalency)	50	1	9
78106200	120	60W (100W equivalency)	100	1	14
78106300	120	60W (100W equivalency)	150	1	19
78106400	120	60W (100W equivalency)	200	1	24
<b>SPABRITE LIGHTS WITH STAINLESS STEEL FACE RING - 12 VOLT</b>					
78101200	12	100W	15	1	6
78108200	12	100W	50	1	9
78107500	12	100W	100	1	14
<b>ACCESSORIES</b>					
79212200	Snap-on face ring, plastic, white			1	1/2
79212211	Snap-on face ring plastic, black			1	1/2
79212265	Snap-on face ring, plastic, grey			1	1/2
79108900	Snap-on color lens plastic, red			1	1/2
79109000	Snap-on color lens plastic, blue			1	1/2
650019	Snap-on color lens kit (magenta, purple, teal, green)			1	2

Please refer to pages 120-122 for Canadian listed Pool Lights

All Pentair UL Listed underwater lights are certified for use in fresh water with up to 6,000 ppm salinity.

### Dimensions and Certifications



Note: All 120 volt pool and spa lights must be connected to a branch circuit protected by a ground fault circuit interrupter (GFCI).

Note: All cord lengths over 50 feet on 12 volt lights create resistance that dramatically reduces the light output. This condition exists on all low voltage lights regardless of design or manufacturer.

Notice: Underwriters Laboratories has listed Pentair Water Pool and Spa, Inc. lights for use with Pentair Water Pool and Spa, Pentair Pool Products, American Products, Purex, or PacFab niches ONLY. To ensure proper grounding/bonding connections install only Pentair Water Pool and Spa lights in Pentair, Water Pool and Spa, Pentair Pool Products, American Products, Purex or PacFab niches only.

See page 484 for replacement parts.

# AQUALIGHT®

## HALOGEN QUARTZ LIGHTS WITH STAINLESS STEEL FACE RING



### Featured Highlights

- Prismatic tempered glass lens
- Stainless steel housing
- Easy service stainless steel clamp
- Halogen-quartz lamp
- Low water cutoff
- Easy to service
- Plastic snap-on face rings and colored lenses available

The AquaLight light uses halogen quartz bulbs and designed for installation in small plastic or stainless steel Pentair niches. The light shell is high-quality stainless steel and the lens is Prismatic tempered glass.



AquaLight Halogen Lights

All Pentair UL Listed underwater lights are certified for use in fresh water with up to 6,000 ppm salinity

### Ordering Information

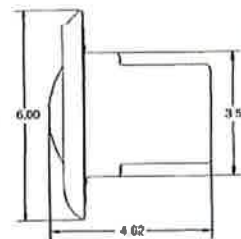
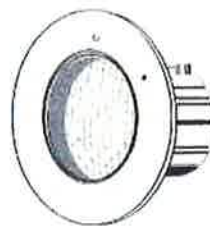
Product	Voltage	Wattage	Cord Length (Ft.)	Carton Qty.	Carton Wt. (Lbs.)
<b>AQUALIGHT LIGHTS - 100 WATT, 120 VOLT</b>					
77111100	120	100	15	1	6
77118100	120	100	50	1	9
77310100	120	100	100	1	14
<b>AQUALIGHT LIGHTS - 250 WATT, 120 VOLT</b>					
77161100	120	250	15	1	6
77168100	120	250	50	1	9
77360300	120	250	100	1	14
77365000	120	250	150	1	19
77362000	120	250	200	1	24
<b>AQUALIGHT LIGHTS - 75 WATT, 12 VOLT</b>					
77181100	12	75	15	1	6
77188100	12	75	50	1	9
77182500	12	75	100	1	12
<b>ACCESSORIES</b>					
79212200	Snap-on face ring, plastic, white			1	.5
79212211	Snap-on face ring plastic, black			1	.5
79212265	Snap-on face ring, plastic, grey			1	.5
79108900	Snap-on color lens plastic, red			1	.5
79109000	Snap-on color lens plastic, blue			1	.5
650019	Snap-on color lens kit (magenta, purple, teal, green)			1	2

Please refer to pages 120-122 for Canadian listed Pool Lights.

Note: All 120 volt pool and spa lights must be connected to a branch circuit protected by a ground fault circuit interrupter (GFCI).

Note: All cord lengths over 50 feet on 12 volt lights create resistance that dramatically reduces the light output. This condition exists on all low voltage lights regardless of design or manufacturer.

Notice: Underwriters Laboratories has listed Pentair Water Pool and Spa, Inc. lights for use with Pentair Water Pool and Spa, Pentair Pool Products, American Products, Purex, or PacFab niches ONLY. To ensure proper grounding/bonding connections install only Pentair Water Pool and Spa lights in Pentair, Water Pool and Spa, Pentair Pool Products, American Products, Purex or PacFab niches only.



### Dimensions and Certifications

See page 484 for replacement parts.

# AQUALUMIN® III LIGHTS

NICHELESS LIGHT FOR SWIMMING POOLS AND SPAS



AquaLumin III Nicheless Light

The AquaLumin III nicheless lights provide brilliant, double contact halogen quartz lighting for all vinyl liner pools and spas. This revolutionary design uses a mounting hub and bracket instead of a niche. This light eliminates the need for pre-punched light panels, costly make-up panels and extra braces for vinyl pools.

## Featured Highlights

- Requires only a 3 in. hole in wall panel
- No costly make-up panels
- No extra braces
- Wall hugging fit
- Easy to service
- Easy to install

## Ordering Information

Product	Voltage	Wattage	Cord Length (Ft.)	Carton Qty.	Carton Wt. (Lbs.)
<b>AQUALUMIN III LIGHTS - 250 WATT, 120 VOLT</b>					
78864200	120	250	50	1	9
78864250	120	250	100	1	13
78864300	120	250	150	1	15
<b>AQUALUMIN III LIGHTS - 100 WATT, 12 VOLT</b>					
78873500	12	100	50	1	9
78873700	12	100	100	1	11
<b>MOUNTING BRACKETS (REQUIRED FOR NEW INSTALL.)</b>					
78887700	Vinyl liner, 3/4 in. hub (Includes mounting bracket)			1	2
78887800	Vinyl liner, 1 in. hub (Includes mounting bracket)			1	2
<b>KWIK CHANGE LENS COVERS FOR AQUALUMIN LIGHTS</b>					
600140	AquaLumin III Lens Kit (red, green, blue)			1	1

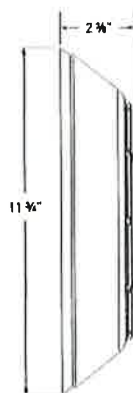
All Pentair UL Listed underwater lights are certified for use in fresh water with up to 6,000 ppm salinity

## Dimensions and Certifications



Note: All 120 volt pool and spa lights must be connected to a branch circuit protected by a ground fault circuit interrupter (GFCI)

Note: All cord lengths over 50 feet on 12 volt lights create resistance that dramatically reduces the light output. This condition exists on all low voltage lights regardless of design or manufacturer.



See page 485 for replacement parts.

# AQUALUMINATOR®

LIGHT AND WATER RETURN FOR ABOVEGROUND POOLS



## Featured Highlights

- Light and return fitting
- 25 ft. plug-in cord
- Deluxe retail packaging
- Fits most aboveground pools
- AQL 500 for smaller pools
- Pressure cleaner adapter
- Fountain attachment available
- Hard plumbing adapter

Our Hydro-Optic™ Technology creates this revolutionary light and return fitting combination. This light fits the existing water return hole pre-punched by most aboveground pool manufacturers and can be installed on new or millions of existing pools. The AQL 500, with 33% fewer lumens than the standard AquaLuminator light offers quality entry-level lighting for smaller pools.



AquaLuminator Light and Water Return

## Ordering Information

Product	Description	Carton Qty.	Carton Wt. (Lbs.)
<b>ABOVEGROUND LIGHTS</b>			
600030	AQL 500 aboveground light <sup>1</sup>	1	6
600040	Quasar 500 Non-return light <sup>1</sup>	1	6
98600000	AquaLuminator 2010 convertible	1	6
98605300	Quasar Non-return light	1	6
98630000	AquaLuminator 2000, no transformer	1	1
98600008	AquaLuminator, 240 volt	1	1
<b>ACCESSORIES</b>			
79100000	Fountain attachment, fits all AquaLuminator models	1	1
79202900	Hard plumbing adapter	1	2
79203100	Adapter to connect AquaLuminator to cleaner <sup>1</sup>	1	1
619539	Non-return fitting	1	1
619551	Color Lens Kit (Blue & Green)	1	2

<sup>1</sup> AQL 500 and Quasar 500 does not support the fountain attachment or the pressure cleaner adapter

All Pentair UL Listed underwater lights are certified for use in fresh water with up to 6,000 ppm salinity

## Dimensions and Certifications



Quasar Non-return Light for Aboveground Pools



Hard Plumbing Adapter



Pressure Cleaner Adapter



Fountain Attachment

See page 482 for replacement parts.



# HILITE®

## PLASTIC LIGHT FOR SWIMMING POOLS AND SPAS



HiLite Plastic Lights

The plastic HiLite light is the first light to be UL listed for installations in as little as 4 in. below the water surface. The shallow placement of these innovative lights on opposite pool ends will illuminate the entire swimming area, hiding plaster imperfections and eliminating hot spots in the pool.

### Featured Highlights

- UL listed for 4 in. depth below water
- All plastic housing and lens
- Easy placement, easy to install
- Perfect for lights on opposite pool ends
- High intensity halogen quartz
- Quarter-twist bulb access
- Molded clip for cord storage retention
- Fits on any vertical wall
- Soft, even light distribution
- 12 volt, 75 watt
- Simple two-wire connection

### Ordering Information

Product	Voltage	Wattage	Cord Length (Ft.)	Carton Qty.	Carton Wt. (Lbs.)
<b>HILITE - 75 WATT, 12 VOLT</b>					
78780000	12	75	15	1	4
78780200	12	75	50	1	8
78782000	12	75	100	1	12
<b>FACE RINGS</b>					
79210000	Plastic face ring, white			1	3
79210065	Plastic face ring, grey			1	3
79210011	Plastic face ring, black			1	3
<b>LENS COVERS</b>					
79105400	Lens kit (red and blue)			12	8

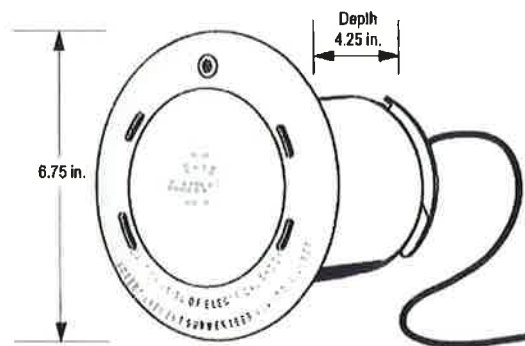
All Pentair UL Listed underwater lights are certified for use in fresh water with up to 6,000 ppm salinity

### Dimensions and Certifications



Note: All cord lengths over 50 feet on 12 volt lights create resistance that dramatically reduces the light output. This condition exists on all low voltage lights regardless of design or manufacturer.

Notice: Underwriters Laboratories has listed Pentair Water Pool and Spa, Inc. lights for use with Pentair Water Pool and Spa, Pentair Pool Products, American Products, Purex, or PacFab niches ONLY. To ensure proper grounding/bonding connections install only Pentair Water Pool and Spa lights in Pentair, Water Pool and Spa, Pentair Pool Products, American Products, Purex or PacFab niches only.



See page 484 for replacement parts

# FOUNTAIN LIGHTS AND FIXTURES

FOR USE IN FOUNTAINS AND PONDS

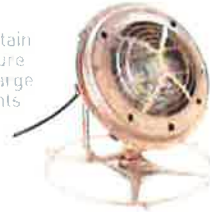


## Featured Highlights

### Fountain Fixtures

- Sturdy cast bronze construction with attractive natural bronze finish
- Base and yoke-mount rotate 360° and pivot 180°
- Integrated bonding lug for electrical safety
- Innovative strain-relief prevents damage to wiring connections
- Niche installation option available
- Large fixture for use with the IntelliBrite® 5g Pool Light for water fountains, and Amerlite® Lights listed for fountain use
- Small fixture for use with IntelliBrite 5g Spa Light, AquaLight®, and SpaBrite® Lights listed for fountain use

Fountain Fixture for Large Lights



Fountain Fixture for Small Lights



Fountain Rock Guard for Small Niches



Fountain Rock Guard for Large Niches



Pentair Fountain Fixtures are the only fixtures that offer true color lighting capabilities, as well as traditional white lighting. When combined with Pentair's IntelliBrite 5g color lights, these systems can bathe fountains in a constantly changing spectrum of color. Both large and small fixtures are designed for easy installation and for use with Pentair lights only.

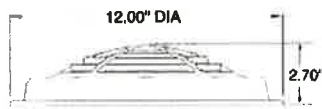
## Ordering Information

Product	Description	Carton Qty.	Carton Wt. (Lbs.)
<b>INTELLIBRITE 5g LED POOL LIGHT FOR WATER FOUNTAINS</b>			
601000	IntelliBrite 5g – 120 volt, 30 ft. cord	1	6.5
601001	IntelliBrite 5g – 120 volt, 50 ft. cord	1	8
<b>INTELLIBRITE COLOR LED SPA LIGHT FOR WATER FOUNTAINS</b>			
640120	IntelliBrite Color Spa – 120 volt, 30 ft. cord	1	6.5
640121	IntelliBrite Color Spa – 120 volt, 50 ft. cord	1	8
<b>FOUNTAIN FIXTURES</b>			
560000	Fountain fixture for large lights with rock guard <sup>1</sup>	1	15
560001	Fountain fixture for small lights with rock guard <sup>1</sup>	1	9
<b>FOUNTAIN ROCK GUARDS</b>			
560002	Fountain rock guard for large niches <sup>2</sup>	1	7
560003	Fountain rock guard for small niches <sup>2</sup>	1	4

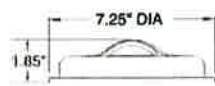
<sup>1</sup> Light is sold separately

<sup>2</sup> Light and niche sold separately.

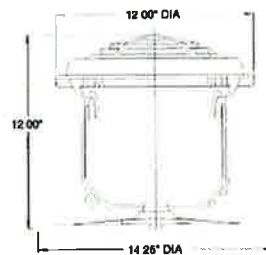
## Dimensions and Certifications



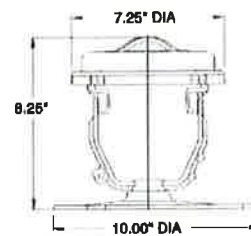
Fountain Rock Guard for Large Niches



Fountain Rock Guard for Small Niches



Fountain Fixture for Large Lights



Fountain Fixture for Small Lights



Note, Underwriters Laboratories has listed Pentair Water Pool and Spa, Inc. lights for use with Pentair Water Pool and Spa, Pentair Pool Products, American Products, Purex, or PacFab niches ONLY. To ensure proper grounding/bonding connections install only Pentair Water Pool and Spa lights in Pentair, Water Pool and Spa, Pentair Pool Products, American Products, Purex or PacFab niches only.

See page 489 for replacement parts.

## CANADIAN POOL LIGHTS



## Ordering Information - Canadian IntelliBrite® Color Pool &amp; Spa Lights

Product	Description	Voltage	Wattage	Cord Length	Carton Qty.	Carton Wt. (Lbs.)
<b>CANADIAN INTELLIBRITE COLOR POOL LIGHTS</b>						
602010	12V IntelliBrite Color Pool 30 ft.	12	26W	30	1	5.5
602012	12V IntelliBrite Color Pool 100 ft.	12	26W	100	1	12
602000	120V IntelliBrite Color Pool 30 ft.	120	26W	30	1	6.5
602002	120V IntelliBrite Color Pool 100 ft.	120	26W	100	1	12
<b>CANADIAN INTELLIBRITE COLOR SPA LIGHTS</b>						
640120	120V IntelliBrite Color Spa 30 ft.	120	18W	30	1	6.5
640121	120V IntelliBrite Color Spa 50 ft.	120	18W	50	1	8
640122	120V IntelliBrite Color Spa 100 ft.	120	18W	100	1	12
640123	120V IntelliBrite Color Spa 150 ft.	120	18W	150	1	16
640124	120V IntelliBrite Color Spa 250 ft.	120	18W	250	1	25
640130	12V IntelliBrite Color Spa 30 ft.	12	18W	30	1	5.5
640131	12V IntelliBrite Color Spa 50 ft.	12	18W	50	1	7
640132	12V IntelliBrite Color Spa 100 ft.	12	18W	100	1	11
640133	12V IntelliBrite Color Spa 150 ft.	12	18W	150	1	18

## Ordering Information - Canadian IntelliBrite White Pool Lights

Product	Voltage	Wattage	Incandescent Equivalency	Cord Length (Ft.)	Carton Qty.	Carton Wt. (Lbs.)
<b>CANADIAN INTELLIBRITE 5g WHITE POOL LIGHTS - 300 WATT EQUIVALENT, 120 VOLT</b>						
601100	120V	40	300W Equivalency	30 ft.	1	6.5
601101	120V	40	300W Equivalency	50 ft.	1	8
601102	120V	40	300W Equivalency	100 ft.	1	12
601103	120V	40	300W Equivalency	150 ft.	1	16
601104	120V	40	300W Equivalency	250 ft.	1	25
<b>CANADIAN INTELLIBRITE 5g WHITE POOL LIGHTS - 300 WATT EQUIVALENT, 12 VOLT</b>						
601105	12V	40	300W Equivalency	30 ft.	1	5.5
601106	12V	40	300W Equivalency	50 ft.	1	7
601107	12V	40	300W Equivalency	100 ft.	1	11
601108	12V	40	300W Equivalency	150 ft.	1	18
<b>CANADIAN INTELLIBRITE 5g WHITE POOL LIGHTS - 400 WATT EQUIVALENT, 120 VOLT</b>						
601200	120V	48	400W Equivalency	30 ft.	1	6.5
601201	120V	48	400W Equivalency	50 ft.	1	8
601202	120V	48	400W Equivalency	100 ft.	1	12
601203	120V	48	400W Equivalency	150 ft.	1	16
601204	120V	48	400W Equivalency	250 ft.	1	25
<b>CANADIAN INTELLIBRITE 5g WHITE POOL LIGHTS - 400 WATT EQUIVALENT, 12 VOLT</b>						
601205	12V	48	400W Equivalency	30 ft.	1	5.5
601206	12V	48	400W Equivalency	50 ft.	1	7
601207	12V	48	400W Equivalency	100 ft.	1	11
601208	12V	48	400W Equivalency	150 ft.	1	18

## Dimensions and Certifications



Note: All 120 volt pool and spa lights must be connected to a branch circuit protected by a ground fault circuit interrupter (GFCI).

Notice: Underwriters Laboratories has listed Pentair Water Pool and Spa, Inc. lights for use with Pentair Water Pool and Spa, Pentair Pool Products, American Products, Purex, or PacFab niches ONLY. To ensure proper grounding/bonding connections install only Pentair Water Pool and Spa lights in Pentair, Water Pool and Spa, Pentair Pool Products, American Products, Purex or PacFab niches only.

# CANADIAN POOL LIGHTS (CONT'D)



## Ordering Information - Canadian IntelliBrite® 5g White Pool Lights Cont'd.

Product	Voltage	Wattage	Incandescent Equivalency	Cord Length (Ft.)	Carton Qty.	Carton Wt. (Lbs.)
<b>CANADIAN INTELLIBRITE 5g WHITE POOL LIGHTS - 500 WATT EQUIVALENT, 120 VOLT</b>						
601300	120V	55	500W Equivalency	30 ft.	1	6.5
601301	120V	55	500W Equivalency	50 ft.	1	8
601302	120V	55	500W Equivalency	100 ft.	1	12
601303	120V	55	500W Equivalency	150 ft.	1	16
601304	120V	55	500W Equivalency	250 ft.	1	25
<b>CANADIAN INTELLIBRITE 5g WHITE POOL LIGHTS - 500 WATT EQUIVALENT, 12 VOLT</b>						
601305	12V	55	500W Equivalency	30 ft.	1	5.5
601306	12V	55	500W Equivalency	50 ft.	1	7
601307	12V	55	500W Equivalency	100 ft.	1	11
601308	12V	55	500W Equivalency	150 ft.	1	18

## Ordering Information - Canadian IntelliBrite 5g White Spa Lights

Product	Voltage	Wattage	Incandescent Equivalency	Cord Length (Ft.)	Carton Qty.	Carton Wt. (Lbs.)
<b>INTELLIBRITE 5g WHITE SPA LIGHTS - 120 VOLT</b>						
640140	120V	18	100W Equivalency	30 ft.	1	6.5
640141	120V	18	100W Equivalency	50 ft.	1	8
640142	120V	18	100W Equivalency	100 ft.	1	12
640143	120V	18	100W Equivalency	150 ft.	1	16
640144	120V	18	100W Equivalency	250 ft.	1	25
<b>INTELLIBRITE 5g WHITE SPA LIGHTS - 12 VOLT</b>						
640150	12V	18	100W Equivalency	30 ft.	1	5.5
640151	12V	18	100W Equivalency	50 ft.	1	7
640152	12V	18	100W Equivalency	100 ft.	1	11
640153	12V	18	100W Equivalency	150 ft.	1	18

## Dimensions and Certifications



Note: All 120 volt pool and spa lights must be connected to a branch circuit protected by a ground fault circuit interrupter (GFCI)

Notice: Underwriters Laboratories has listed Pentair Water Pool and Spa, Inc. lights for use with Pentair Water Pool and Spa, Pentair Pool Products, American Products, Purex, or PacFab niches ONLY. To ensure proper grounding/bonding connections install only Pentair Water Pool and Spa lights in Pentair, Water Pool and Spa, Pentair Pool Products, American Products, Purex or PacFab niches only

## CANADIAN POOL LIGHTS (CONT'D)



## Ordering Information - Canadian Lights - Other

Product	Description	Voltage	Wattage	Cord Length	Carton Qty.	Carton Wt. (Lbs.)
AMERLITE® WITH STAINLESS STEEL FACE PING (Page 108-109)						
78453102	AmerLite Light	120	500	30	4	11
SPABRITE® WITH STAINLESS STEEL FACE PING (Page 110)						
78106002	SpaBrite Light	120	60W (100W Equiv.)	30	12	9
78103202	SpaBrite Light	12	100W Equivalency	30	12	9
AQUALIGHT® (Page 111)						
77113102	AquaLight	120	100	30	12	9
77163102	AquaLight	120	250	30	12	9
AQUALUMINATOR® (Page 113)						
600042	Quasar 500 CSA				8	6
98610002	AquaLuminator 2000				8	6
98610042	AquaLuminator 2000 w/ Fountain - CSA				8	6
LARGE STAINLESS STEEL NICHE FOR CONCRETE INSTALLATION (Page 121)						
78210701	3/4 in. rear hub				1	0.25
LARGE STAINLESS STEEL NICHE FOR VINYL AND FIBERGLASS INSTALLATION (Page 121)						
78232401	3/4 in. rear hub				12	3
SMALL STAINLESS STEEL NICHE FOR CONCRETE INSTALLATION (Page 122)						
78244202	3/4 in. rear hub				12	3
SMALL STAINLESS STEEL NICHE FOR MANUFACTURED POOLS, SPAS & TUBS (Page 122)						
78241202	3/4 in. top hub				12	2
78242202	3/4 in. rear hub				12	2
NICHE CONCRETE SHIELD						
45361500	Niche shield for SpaBrite/AquaLight Niche				1	0.25
45361000	Niche shield, concrete/plaster for AmerLite				1	0.25
ACCESSORIES						
619962	100W Transformer 12V-14V				1	10
619963	300W Transformer 12V-14V				1	11

CSA listed HiLite® can be found on page 118.

## Dimensions and Certifications



Note: All 120-volt pool and spa lights must be connected to a branch circuit protected by a ground fault circuit interrupter (GFCI).

Notice: Underwriters Laboratories has listed Pentair Water Pool and Spa, Inc. lights for use with Pentair Water Pool and Spa, Pentair Pool Products, American Products, Purex, or PacFab niches ONLY. To ensure proper grounding/bonding connections install only Pentair Water Pool and Spa lights in Pentair, Water Pool and Spa, Pentair Pool Products, American Products, Purex or PacFab niches only.

# PENTAIR LARGE STAINLESS STEEL NICHEES

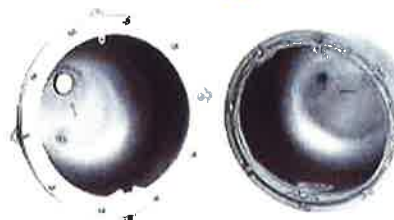
## NICHEES FOR SWIMMING POOLS AND SPAS



### Featured Highlights

- Niches for all installations
- Stainless steel housing
- Brass hub: 1/2, 3/4, or 1 in.
- Internal/external bonding lugs
- Vinyl niches with chrome/brass sealing rings
- Sandwich gasket for vinyl
- Powder coated sealing ring (optional)

Large stainless steel niches are formed with brass fittings. All niches have internal and external grounding lugs for use with either metal or PVC conduit.



Pentair Large Niches

### Ordering Information

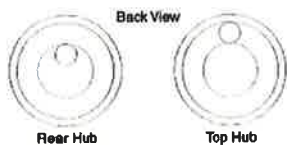
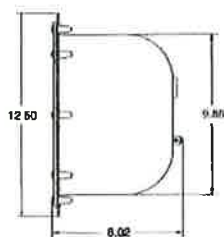
Product	Description	Carton Qty.	Carton Wt. (Lbs.)
LARGE STAINLESS STEEL NICHEES FOR CONCRETE INSTALLATION			
78210200	1/2 in. top hub	1	3
78210300	1/2 in. rear hub	1	3
78210400	3/4 in. top hub	1	3
78210700	3/4 in. rear hub	1	3
78210500	1 in. top hub	1	3
78210600	1 in. rear hub	1	3
VINYL AND FIBERGLASS INSTALLATION, STANDARD 10 HOLE PATTERN			
78232400	Fiberglass/liner, 3/4 in. rear hub	1	5
78232500	Fiberglass/liner, 1 in. rear hub	1	5
LARGE STAINLESS STEEL NICHE, CONCRETE SHIELD			
45361000	Niche Shield for construction	1	0.325
79211600	Replacement/Repair Niche plaster ring	1	5
POWDER COATED SEALING RINGS, VINYL/FIBERGLASS			
79200255	Sealing ring, large niche (white)	1	0.01
SEALANT FOR NICHE BONDING LUGS			
60028300	Listed potting compound	1	0.0375



Standard 10 Hole Pattern



Gunitite Hole Pattern



### Dimensions and Certifications



Please refer to page 120-122 for Canadian listed Lights.

Notice: Underwriters Laboratories has listed Pentair Water Pool and Spa, Inc. lights for use with Pentair Water Pool and Spa, Pentair Pool Products, American Products, Purex, or PacFab niches ONLY. To ensure proper grounding/bonding connections install only Pentair Water Pool and Spa lights in Pentair, Water Pool and Spa, Pentair Pool Products, American Products, Purex or PacFab niches only.

See page 492 for replacement parts

# PENTAIR SMALL STAINLESS STEEL NICHES

## NICHES FOR SWIMMING POOLS AND SPAS



Pentair Small Niches

Small stainless steel niches are formed with brass fittings. All niches have internal and external bonding lugs and can be used with either metal or PVC conduit.

### Featured Highlights

- Stainless steel housing
- Brass hub: 1/2, 3/4, 1 in.
- Internal/external bonding lugs
- Vinyl niches with chrome/brass sealing rings
- Niches for all installations
- Sandwich gasket for vinyl

### Ordering Information

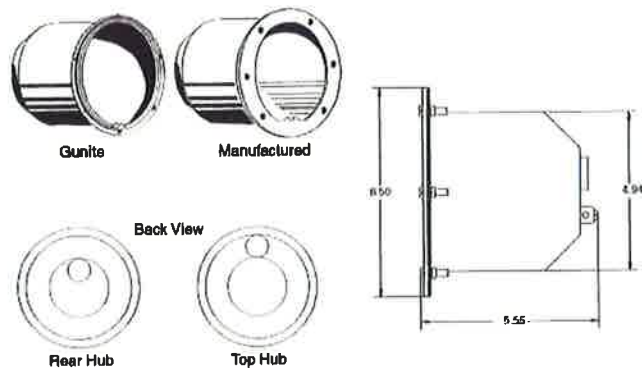
Product	Description	Carton Qty.	Carton Wt. (Lbs.)
SMALL STAINLESS STEEL NICHES FOR CONCRETE INSTALLATION			
78244100	Concrete pools or spas, 1/2 in. rear hub	1	2
78244200	Concrete pools or spas, 3/4 in. rear hub	1	2
78244300	Concrete pools or spas, 1 in. rear hub	1	2
78243100	Concrete pools or spas, 1/2 in. top hub	1	2
78243200	Concrete pools or spas, 3/4 in. top hub	1	2
78243300	Concrete pools or spas, 1 in. top hub	1	2
MANUFACTURED POOLS, SPAS & TUBS INSTALLATION			
78242200	Manufactured pools, spas & tubs, 3/4 in. rear hub	1	3
78242300	Manufactured pools, spas & tubs, 1 in. rear hub	1	3
SMALL STAINLESS STEEL NICHE SHIELD			
45361500	Niche shield for SpaBrite/AquaLight Niche	1	0.25
VINYL/FIBERGLASS NICHE SEALING RING, POWDER-COATED			
79206055	Sealing ring, small niche	1	0.01
SEALANT FOR NICHE BONDING LUGS			
60028300	Listed potting compound	1	0.325

### Dimensions and Certifications



Please refer to page 120-120 for Canadian listed Lights

Notice: Underwriters Laboratories has listed Pentair Water Pool and Spa, Inc. lights for use with Pentair Water Pool and Spa, Pentair Pool Products, American Products, Purex, or PacFab niches ONLY. To ensure proper grounding/bonding connections install only Pentair Water Pool and Spa lights in Pentair, Water Pool and Spa, Pentair Pool Products, American Products, Purex or PacFab niches only.



See page 493 for replacement parts.

# PLASTIC NICHE

## PLASTIC NICHE FOR SWIMMING POOLS AND SPAS



### Featured Highlights

#### Gunite Plastic Niches:

- Innovative cord seal grommet (Accessory sold separately)
- Large and small models
- Rebar tie-backs
- Plaster ring for secure sealing
- Internal/external bonding lugs
- High strength PVC construction
- Rear one inch PVC hub
- Includes 45° and 3/4 in. reducer bushings
- Includes gunite/plaster shield

#### QuickNiche:

- Revolutionary design mounts and seals like a vinyl inlet fitting
- No screws directly through the pool wall as with conventional vinyl niches
- Designed for quick and easy, one-person installation
- Rubber gasket overmolded on seal ring for superior sealing
- Built-in current-collecting ring for maximum safety
- Zero wall panel exposure
- Fits standard niche panel
- UL listed



**Gunite Plastic Niches** – These plastic concrete niches are molded of high strength, corrosion resistant PVC with a one inch PVC hub. Both 450 and 3/4 in reducer bushings are included. Gunite models feature rebar tie-backs and a plaster ring for clean, simple installations and all are packed with a gunite/plaster shield.



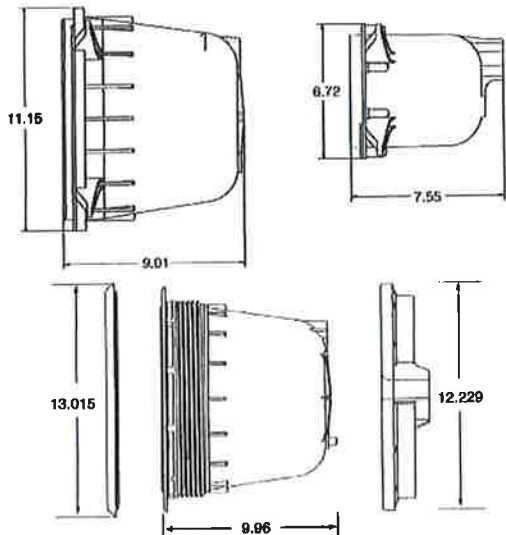
**QuickNiche™ Vinyl Liner Niche** – One look at the QuickNiche is all it takes to see that this is a product that really lives up to its name. It is an easy-to-install, super-sealing light niche for vinyl liner pools. It features a revolutionary lock-ring design that mounts and seals like a vinyl inlet fitting fast, secure, and totally leak proof.

### Ordering Information

Product	Description	Carton Qty.	Carton Wt. (Lbs.)
<b>PLASTIC NICHE - CONCRETE</b>			
79206600	Small PVC niche, concrete	1	2
79206700	Large PVC niche, concrete	1	3
<b>PLASTIC NICHE - VINYL</b>			
620004	QuickNiche <sup>1</sup>	1	1
630043	QuickNiche blue seal ring	1	1
630044	QuickNiche grey seal ring	1	1
<b>ACCESSORIES</b>			
670044	Cord Seal Grommet Kit, (Qty. 3)	3	1
60028300	Listed potting compound	1	0.325

<sup>1</sup> Cord seal grommet not available for Quick Niche.

### Dimensions and Certifications



Innovative cord seal grommet accessory  
[p/n 670044]

Notice, Underwriters Laboratories has listed Pentair Water Pool and Spa, Inc. lights for use with Pentair Water Pool and Spa, Pentair Pool Products, American Products, Purex, or PacFab niches ONLY. To ensure proper grounding/bonding connections install only Pentair Water Pool and Spa lights in Pentair, Water Pool and Spa, Pentair Pool Products, American Products, Purex or PacFab niches only.

<sup>1</sup> Plastic niches are only listed for use with 12V lights in Canada.

See page 495 for replacement parts



# LIGHT ACCESSORIES AND JUNCTION BOXES

ADD-ON FEATURES AND ACCESSORIES FOR ALL PENTAIR LIGHTS



Add-on Light Features and Accessories

## Featured Highlights

### Kwik-Change Lens Covers

- Powder coated vinyl niche sealing ring
- Snap-on plastic face rings available for s/s lights

### Junction Boxes

- Available in 3 sizes: 1/2, 3/4 & 1 in.
- Polycarbonate cover with brass base
- Built-in strain relief
- UL listed

Our optional light and niche features are designed to enhance our standard products and accommodate your specific project requirements.

## Ordering Information

Product	Description	Carton Qty.	Carton Wt. (Lbs.)
<b>KWIK-CHANGE LENS COVERS</b>			
650015	SpaBrite/AquaLight lens, magenta	1	0.5
650016	SpaBrite/AquaLight lens, purple	1	0.5
650017	SpaBrite/AquaLight lens, teal	1	0.5
650018	SpaBrite/AquaLight lens, green	1	0.5
78900800	Amerlite/AmerQuartz lens, blue	1	0.5
78900900	Amerlite/AmerQuartz lens, red	1	0.5
650019	SpaBrite/AquaLight lens, 6 assorted colors	1	0.5
78883700	AquaLumin (3 assorted colors)	1	0.6
600140	AquaLumin 3 Lens Cover Kit	1	0.5
78883701	AquaLumin lens, blue	1	0.5
78883702	AquaLumin lens, red	1	0.5
78883703	AquaLumin lens, green	1	0.5
78900100	Amerlite/AmerQuartz lens (3 colors - red, green, blue)	1	1
78900700	Amerlite/AmerQuartz lens, green	1	0.5

Product	Description	Carton Qty.	Carton Wt. (Lbs.)
<b>SNAP-ON PLASTIC FACE RINGS FOR AMERLITE</b>			
79212111	Black	1	0.01
79212165	Grey	1	0.01
79213111	Black	24	0.01
79213100	White	24	0.01
<b>SNAP-ON PLASTIC FACE RINGS FOR SPABRITE/AQUALIGHT</b>			
79212200	White	1	0.01
79212211	Black	1	0.06
79212265	Grey	1	0.06
<b>VINYL NICHE SEALING RING, WHITE POWDER-COATED</b>			
79200255	Sealing ring, large niche	1	0.01
79206055	Sealing ring, small niche	1	0.01
<b>JUNCTION BOX BRASS BASE W/ POLYCARBONATE COVER</b>			
78310500	(3) - 1/2 in. ports	1	1
78310600	(3) - 3/4 in. ports	1	1
78310700	3/4 in. x 1 in. x 3/4 in. ports	1	1

UL listed

## Dimensions and Certifications



See page 491 for junction box replacement parts