



Sacramento City Unified School District

Business Services Contracts Office

5735 47th Avenue • Sacramento, CA 95824
(916) 643-2464

Gerardo Castillo, Chief Business Officer
Kimberly Teague, Contract Specialist

ADDENDUM NO. 1

Date: April 20, 2017

Issued by: Sacramento City Unified School District

Project: Roof Replacement at Susan B. Anthony ES

You are hereby notified of the following changes, clarifications, or modifications to the original Contract Documents, Specifications, and Drawings. This Addendum shall supersede the original project documents, and shall take precedence over anything to the contrary therein. All Addenda shall be acknowledged in the Bid Form. Failure to do so may result in disqualification of the bid. All other conditions remain unchanged.

-
1. Gutters will be fabricated from 24 gauge, Bonderized Metal
 2. Gutters will be fabricated to match SCUSD standard design. (see attached)
 3. Paint to match existing (colors will be provided)
 4. Drop outlets, seams & joints will be soldered.
 5. Gutter straps will be installed 3' on center with sheet metal screws.
 6. Down spouts will be 3" schedule 40 steel pipe on all new down spouts
 7. Owens Corning High Performance Roof Underlayment will replace Spec section 1.1-2. (a)
Two plies of 30# felt. (See attached cut sheet)

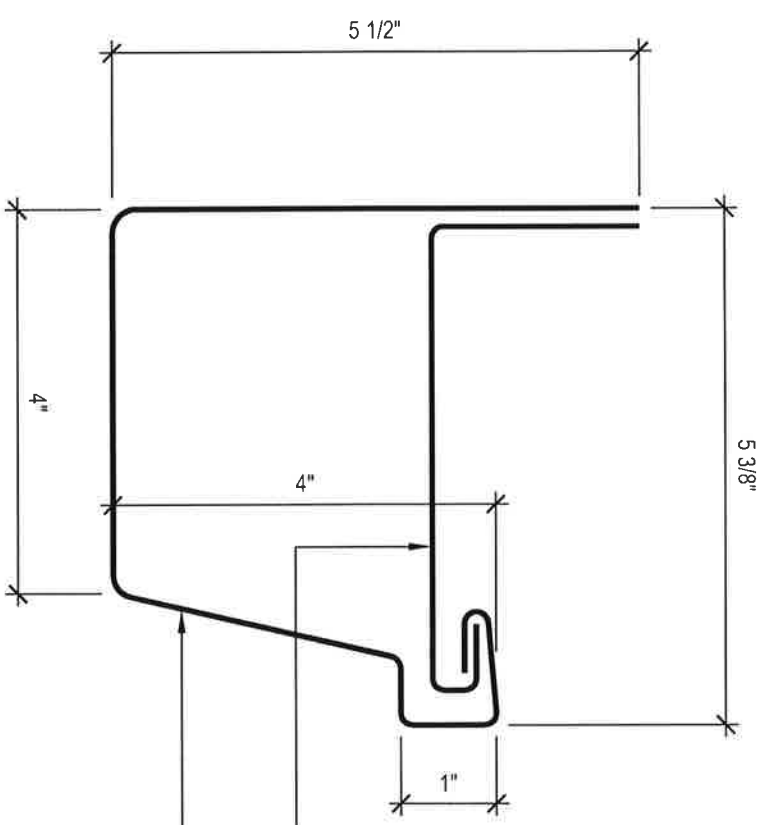
END OF ADDENDUM NO. 1

Attachments

PARAPET DETAIL

SCALE: 3"=1'-0"

24.



24 GAUGE GALVANIZED
GUTTER STRAP 36 IN. O.C.

NEW 24 GAUGE BONDERIZED AND
PAINTED SHEET METAL GUTTER

NOTES:
1. SEE DETAIL 14/A-9.01 FOR ADDITIONAL INFORMATION.

GUTTER DETAIL

SCALE: 6"=1'-0"

25.



Deck Defense®

High Performance Roof Underlayment
Moisture protection for your home.



Deck Defense® High Performance Roof Underlayment is a component of the Owens Corning® Total Protection Roofing System.™ ^

Block water damage.

When it comes to your new roof, don't take chances. Ask for the moisture protection that Owens Corning® Deck Defense® *High Performance Roof Underlayment* can provide.

New *Deck Defense* underlayment's durable synthetic construction provides an immediate line of defense—so strong it can protect your roof for up to 6 months* of UV exposure. It also acts as a secondary water-shedding barrier for your roof once shingles are installed. In addition, unlike standard felt underlayment, it comes with a 30-Year Limited Warranty:

A roof is a big investment. That's why it's important to make sure it's done right from the beginning to help ensure it's protected from water damage in the attic. One of the first steps to a high-performing roof is using underlayment in conjunction with shingles to help shield your home from moisture infiltration.



Repels and protects

- Offers long-term moisture protection for your roof compared to standard felt underlayment
- Acts as a non-absorbent, secondary water-shedding barrier
- Reduces water intrusion when exposed



Guards and withstands

- Helps shield your home during roof installation
- Protects the roof deck for up to 6 months** of UV exposure
- 30-Year Limited Warranty*



Endures and performs

- Durable synthetic construction resists tearing when walked on
- Stays intact in high winds**
- Designed to reduce the chance for tears that can cause leaks compared to felt underlayment



Easy installation

- Extra-wide roll provides up to 5 times more coverage per roll than standard #30 felt underlayment
- Preprinted nailing pattern and overlap lines speed installation





High-traction, slip-resistant surface

- Specially engineered textured and coated top layer provides traction for a secure work area compared to other leading synthetic underlayments



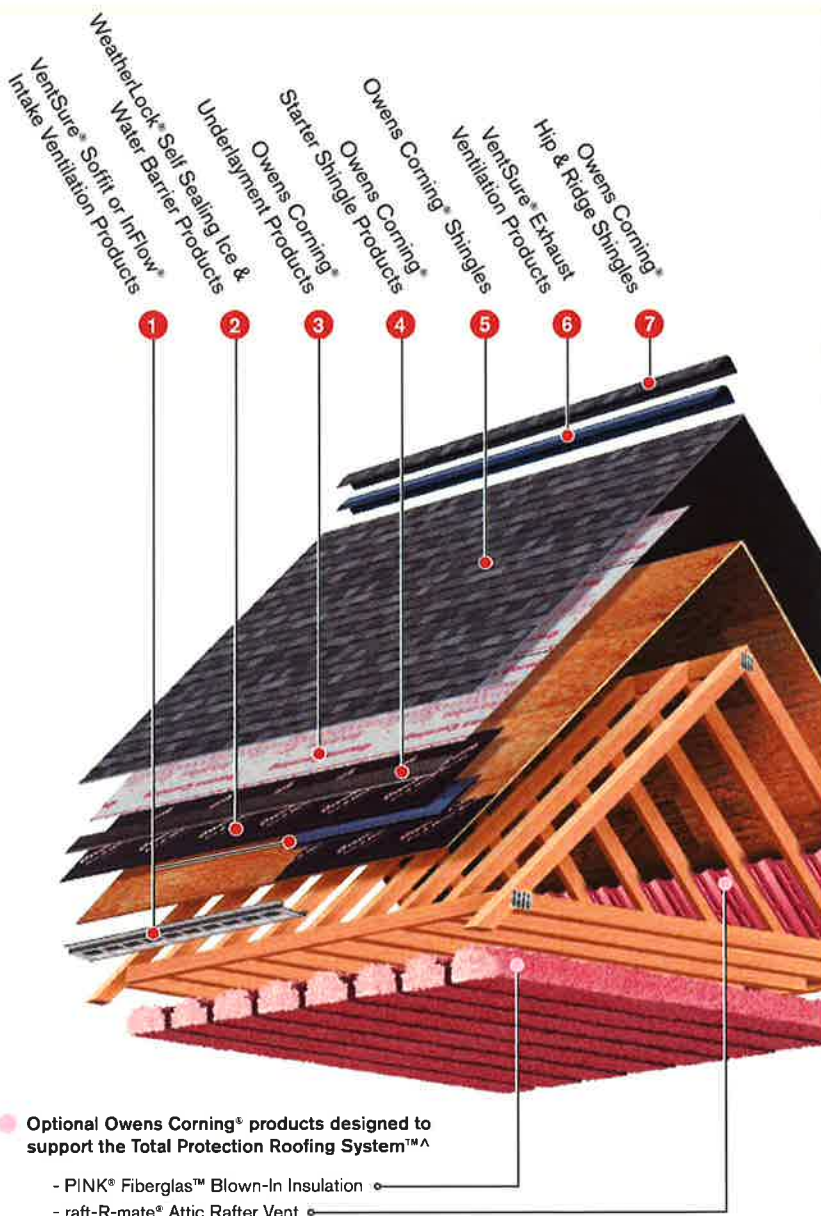
Deck Defense® vs. Organic Felt underlayment — the right choice is clear.

	Deck Defense® Underlayment	Conventional #30 Organic Felt
Construction	100% Engineered Polyolefin	Asphalt/Organic Felt
Roll Size	1,000 sq. ft., 48" wide	200 sq. ft., 36" wide
Weight Per Square	3.3 lbs.¹	20 lbs.
UV Exposure	Can be left exposed for up to 6 months**	Needs to be covered immediately
Warranty	30-Year Limited Warranty¹	No warranty
Weather Performance	Does not curl or wrinkle when exposed to moisture	May curl, wrinkle and crack when exposed to moisture
Slip Resistance	Unique woven technology and coated surface aides in traction, even when wet	May become slick or wrinkled in wet conditions, leading to an unsafe walking surface
Nailing Pattern	Nailing aids for proper application, both in standard and high wind areas	No nailing guides
Durability	Repels and sheds water	Absorbs water and moisture
Surface Temperature	Light gray color reduces roof temperature when exposed	Black color absorbs heat and increases roof temperature
Tear Resistance	Resistant to tearing, even when walked on or in high winds 	Often tears during installation and fastening, causing leaks and rework 

The most important part of the roof? All of them.



It takes more than just shingles to protect your home. It takes an integrated system of components and layers designed to withstand the forces of nature outside while controlling temperature and humidity inside. The Owens Corning® Total Protection Roofing System™[^] gives you the assurance that all of your Owens Corning® roofing components are working together to help increase the performance of your roof — and to enhance the comfort and enjoyment of those who live beneath it.



Product Attributes

Warranty Length

30-Year Limited*

Application

Engineered for asphalt, tile and metal roof assemblies[†]

Typical Values

Length	250 ft.
Width	48 in.
Nominal Weight per Roll	36 lbs. ²
Coverage (with 3-in. overlap)	937 sq. ft.
Exposed Color	Light gray
Surface Construction	Coated textured poly

Applicable Standards and Codes

ASTM D226

ASTM D4869

ASTM E108/UL 790 (Class A Fire Resistance)[‡]

Florida Product Approval

ICC-ES AC188

ICC-ESR 3229[‡]

Miami-Dade County Product Approval^{††}

Want to know more about Owens Corning® products or find an Owens Corning Roofing Preferred Contractor in your area? It's easy to reach us:

1-800-GET-PINK®
www.owenscorning.com/roofing



OWENS CORNING ROOFING AND ASPHALT, LLC
ONE OWENS CORNING PARKWAY
TOLEDO, OHIO, USA 43659

1-800-GET-PINK®
www.owenscorning.com/roofing

Pub. No. 10010926-G. Printed in U.S.A. September 2015. THE PINK PANTHER™ & © 1964–2015 Metro-Goldwyn-Mayer Studios Inc. All Rights Reserved. The color PINK is a registered trademark of Owens Corning. © 2015 Owens Corning. All Rights Reserved.

(All Plants)

Owens Corning Roofing Preferred Contractors are independent contractors and are neither affiliates nor agents of Owens Corning Roofing and Asphalt, LLC, or its affiliated companies.

[^] Excludes non-Owens Corning® roofing products such as flashing, fasteners and wood decking.

* See actual warranty for complete details, limitations and requirements.

** Special application required for extended exposure. See installation instructions.

† For non-asphaltic roofing materials, check with the manufacturer as to the suitability of using Deck Defense® High Performance Roof Underlayment. Install following the roofing manufacturer's application instructions.

†† Applies for all areas that recognize Miami-Dade County Product Control Section.

‡ Underlayment is tested as part of a roof assembly that includes wood decking, underlayment and asphalt shingles.

International Code Council Evaluation Services Acceptance Criteria for Alternative Asphalt Shingles.

1 Excludes core weight.

2 Includes core weight.