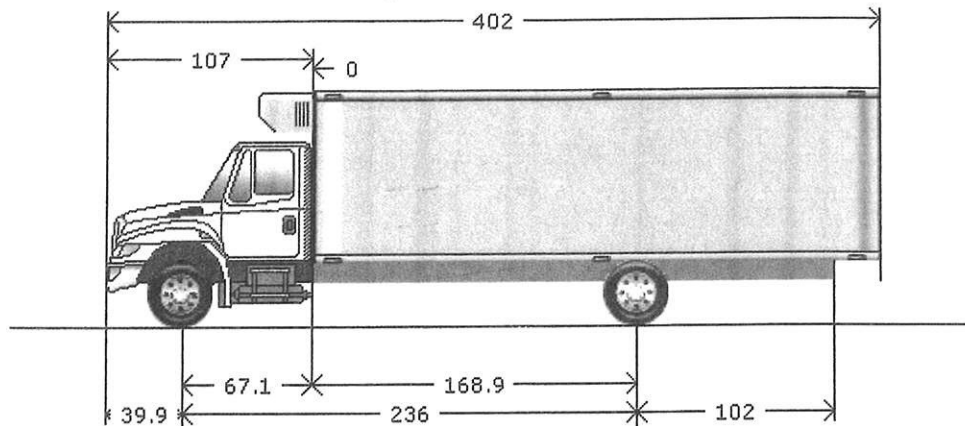


**Sacramento City Unified School District
Delivery Trucks
(Nutritional Services)
BID # 130108
ATTACHMENT A**

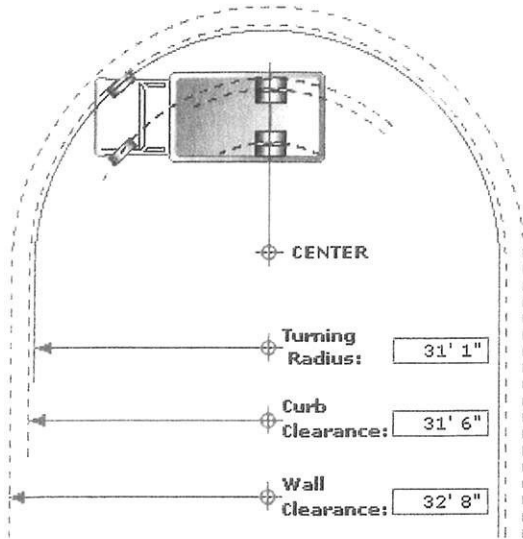


2014 INTERNATIONAL 4300 DURASTAR

**Model Profile
2014 4300 SBA 4X2 (MA025)**

| | |
|--|---|
| APPLICATION: | Refrigerated Van |
| MISSION: | Requested GVWR: 25500. Calc. GVWR: 25999 Calc. Start / Grade Ability: 28.30% / 2.86% @ 55 MPH Calc. Geared Speed: 68.2 MPH |
| DIMENSION: | Wheelbase: 236.00, CA: 168.90, Axle to Frame: 102.00 |
| ENGINE, DIESEL: | {MaxxFORCE DT} EPA 10, 230 HP @ 2200 RPM, 620 lb-ft Torque @ 1300 RPM, 2400 RPM Governed Speed |
| TRANSMISSION, AUTOMATIC: | {Allison 2500_RDS_P} 4th Generation Controls; Wide Ratio, 5-Speed, With Overdrive; On/Off Hwy; 33,000 lb GVW & GCW Max., With PTO Provision, Less Retarder |
| CLUTCH: | Omit Item (Clutch & Control) |
| AXLE, FRONT NON-DRIVING: | {Dana Spicer E-1202I} I-Beam Type, 11,000-lb Capacity |
| AXLE, REAR, SINGLE: | {Dana Spicer 21060S} Single Reduction, 21,000-lb Capacity, 190 Wheel Ends Gear Ratio: 5.57 |
| CAB: | Conventional |
| TIRE, FRONT: | (2) 295/75R22.5 R260F (BRIDGESTONE) 512 rev/mile, load range G, 14 ply |
| TIRE, REAR: | (4) 295/75R22.5 R260F (BRIDGESTONE) 512 rev/mile, load range G, 14 ply |
| SUSPENSION, RR, SPRING, SINGLE: | Vari-Rate; 23,500-lb Capacity, With 4500 lb Auxiliary Rubber Spring |
| PAINT: | Cab schematic 100GA Location 1: 9219, Winter White (Std) Chassis schematic N/A |

Turning Radius Summary
2014 4300 SBA 4X2 (MA025)



Series: 4000
 Model: MA025
 Description: 4300 SBA 4X2
 Model Year: 2014

Calculation Factors

Wheelbase: 236
 Front Axle: 0002AHZ
 Description: AXLE, FRONT NON-DRIVING, {Dana Spicer E-1202I} I-Beam Type, 11,000-lb Capacity
 Front Wheel: 0027DMA
 Description: WHEELS, FRONT, DISC; 22.5" Painted Steel, 2 Hand Hole, 10 Stud (285.75MM BC) Hub Piloted, Flanged Nut, Metric Mount, 8.25 DC Rims; With Steel Hubs
 Front Tire: 07702499054
 Description: TIRES, 295/75R22.5 R260F (BRIDGESTONE) 512 rev/mile, load range G, 14 ply
 Steering Gear: 0005PSA
 Description: STEERING GEAR, {Sheppard M-100} Power

Turning Radius Statistics

General Information

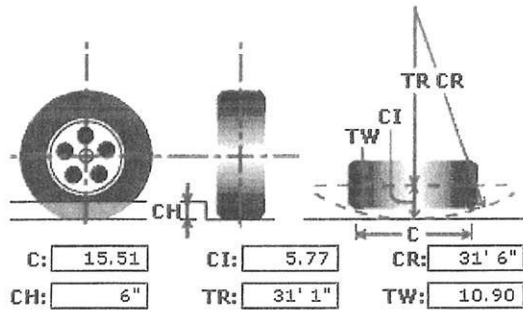
Inside Turn Angle: 50 Degrees
 Radial Overhang: 19

Axle Information

KingPin Inclination: 5.5 Degrees
 KingPin Center: 69

Turning Radius - Curb View

| | | |
|----|-----------------------------|-------|
| C | - Curb Contact Length: | 15.51 |
| CI | - Curb Clearance Increment: | 5.77 |
| CR | - Curb Clearance Radius: | 31'6" |
| CH | - Curb Height: | 6" |
| TR | - Turning Radius: | 31'1" |
| TW | - Tire Width: | 10.90 |



* All Measurements are in inches, unless otherwise specified.

This information is based on engineering information available at this time. Actual figures may vary. Navistar, Inc. cannot accept liability for consequences due to this variance.

INTERNATIONAL®

**Vehicle Specifications
2014 4300 SBA 4X2 (MA025)**

| <u>Code</u> | <u>Description</u> | <u>F/R Wt</u> (lbs) | <u>Tot Wt</u> (lbs) |
|-------------|--|------------------------|------------------------|
| MA02500 | Base Chassis, Model 4300 SBA 4X2 with 236.00 Wheelbase, 168.90 CA, and 102.00 Axle to Frame. | 6139/2791 | 8930 |
| 1CAE | FRAME RAILS Heat Treated Alloy Steel (120,000 PSI Yield); 10.125" x 3.580" x 0.312" (257.2mm x 90.9mm x 8.0mm); 420.0" (10668mm) Maximum OAL | 114/482 | 596 |
| 1LLE | BUMPER, FRONT Full Width, Aerodynamic, Heavy Duty, Steel <u>Includes</u> : BUMPER, FRONT Powder Coated Gray (Argent) Color | 48/-5 | 43 |
| 1SAL | CROSSMEMBER, REAR, AF (01) | 0/20 | 20 |
| 1WEJ | WHEELBASE RANGE 199" (505cm) Through and Including 254" (645cm) | 0/0 | 0 |
| 2AHZ | AXLE, FRONT NON-DRIVING {Dana Spicer E-1202I} I-Beam Type, 11,000-lb Capacity | 25/0 | 25 |
| 3AGE | SUSPENSION, FRONT, SPRING Parabolic, Taper Leaf; 11,000-lb Capacity; With Shock Absorbers <u>Includes</u> : SPRING PINS Rubber Bushings, Maintenance-Free <u>Notes</u> : The following features should be considered when calculating Front GAWR: Front Axles; Front Suspension; Brake System; Brakes, Front Air Cam; Wheels; Tires. | 73/0 | 73 |
| 4085 | BRAKE SYSTEM, HYDRAULIC {Meritor Wabco} Split System, Full Power, With Automatic Adjustment And With Four Channel ABS | 0/0 | 0 |
| 4GAR | BRAKE, PARKING {Bosch} DSSA Type, 12" x 3"; for Hydraulic Brake Chassis; Activated by Lever in Cab; Differential Mounted <u>Includes</u> : PARKING BRAKE CONTROL Lever, Floor Mounted, Located Right of Driver | 0/0 | 0 |
| 4JNP | BRAKES, FRONT, HYDRAULIC DISC Quadraulic; four 70mm Diameter Pistons | 0/0 | 0 |
| 4NNL | BRAKES, REAR, HYDRAULIC DISC Quadraulic; four 70mm Diameter Pistons | 0/0 | 0 |
| 5708 | STEERING COLUMN Tilting | 10/0 | 10 |
| 5CAL | STEERING WHEEL 2-Spoke, 18" Diam., Black | 0/0 | 0 |
| 5PSA | STEERING GEAR {Sheppard M-100} Power | 25/0 | 25 |
| 7BDA | EXHAUST SYSTEM Single, Horizontal, Aftertreatment Device Frame Mounted Right Side Back of Cab, Includes Horizontal Tail Pipe <u>Includes</u> : NOTE: The Horizontal Tailpipe Includes a Temperature Control Device | 0/0 | 0 |
| 8000 | ELECTRICAL SYSTEM 12-Volt, Standard Equipment <u>Includes</u> : BATTERY BOX Steel : DATA LINK CONNECTOR For Vehicle Programming and Diagnostics In Cab : FUSES, ELECTRICAL SAE Blade-Type : HAZARD SWITCH Push On/Push Off, Located on Top of Steering Column Cover : HEADLIGHT DIMMER SWITCH Integral with Turn Signal Lever : HORN, ELECTRIC Single : JUMP START STUD Located on Positive Terminal of Outermost Battery : PARKING LIGHT Integral with Front Turn Signal and Rear Tail Light | 0/0 | 0 |

INTERNATIONAL®

Vehicle Specifications
2014 4300 SBA 4X2 (MA025)

| <u>Code</u> | <u>Description</u> | <u>F/R Wt</u> (lbs) | <u>Tot Wt</u> (lbs) |
|-------------|---|------------------------|------------------------|
| | : STARTER SWITCH Electric, Key Operated : STOP, TURN, TAIL & B/U LIGHTS Dual, Rear, Combination with Reflector : TURN SIGNAL SWITCH Self-Cancelling for Trucks, Manual Cancelling for Tractors, with Lane Change Feature : TURN SIGNALS, FRONT Includes Reflectors and Auxiliary Side Turn Signals, Solid State Flashers; Flush Mounted : WINDSHIELD WIPER SWITCH 2-Speed with Wash and Intermittent Feature (5 Pre-Set Delays), Integral with Turn Signal Lever : WINDSHIELD WIPERS Single Motor, Electric, Cowl Mounted : WIRING, CHASSIS Color Coded and Continuously Numbered | | |
| 8518 | CIGAR LIGHTER Includes Ash Cup | 1/0 | 1 |
| 8540 | HORN, ELECTRIC (2) | 2/0 | 2 |
| 8GGZ | ALTERNATOR {Leece-Neville LBP2224H} Brush Type; 12 Volt 120 Amp. Capacity, Pad Mount | 0/0 | 0 |
| 8HAB | BODY BUILDER WIRING Back of Standard Cab at Left Frame or Under Extended or Crew Cab at Left Frame; Includes Sealed Connectors for Tail/Amber Turn/Marker/ Backup/Accessory Power/Ground and Sealed Connector for Stop/Turn | 2/0 | 2 |
| 8MKX | BATTERY SYSTEM {International} Maintenance-Free (3) 12-Volt 2775CCA Total | 48/10 | 58 |
| 8RJV | RADIO {International} AM/FM Stereo With Weatherband, Clock, Auxiliary Input, Includes Multiple Speakers | 3/0 | 3 |
| | <u>Includes</u> : SPEAKERS IN CAB (2) Dual-Cone with Deluxe Interior : SPEAKERS IN CAB (4) Coaxial with Premium Interior | | |
| 8THB | BACK-UP ALARM Electric, 102 dBA | 0/3 | 3 |
| 8WGL | WINDSHIELD WIPER SPD CONTROL Force Wipers to Slowest Intermittent Speed When Park Brake Set and Wipers Left on for a Predetermined Time | 0/0 | 0 |
| 8WPB | HEADLIGHTS Halogen; Composite Aero Design for Two Light System; Includes Daytime Running Lights | 0/0 | 0 |
| 8WPH | CLEARANCE/MARKER LIGHTS (5) {Truck Lite} Amber LED Lights, Flush Mounted on Cab or Sunshade | 0/0 | 0 |
| 8WPM | FOG LIGHTS (2) Clear, Oval, With H355W Halogen Bulb | 5/0 | 5 |
| | <u>Notes</u> : Fog Lights are Not Driving Lights | | |
| 8WPZ | TEST EXTERIOR LIGHTS Pre-Trip Inspection will Cycle all Exterior Lamps Except Back-up Lights | 0/0 | 0 |
| 8WRB | HEADLIGHTS ON W/WIPERS Headlights Will Automatically Turn on if Windshield Wipers are turned on | 0/0 | 0 |
| 8WTK | STARTING MOTOR {Delco Remy 38MT Type 300} 12 Volt; less Thermal Over-Crank Protection | 0/0 | 0 |
| 8WWJ | INDICATOR, LOW COOLANT LEVEL With Audible Alarm | 0/0 | 0 |
| 8WXD | ALARM, PARKING BRAKE Electric Horn Sounds in Repetitive Manner When Vehicle Park Brake is "NOT" Set, With Ignition "OFF" and any Door Opened | 0/0 | 0 |
| 8XAH | CIRCUIT BREAKERS Manual-Reset (Main Panel) SAE Type III With Trip Indicators, Replaces All Fuses Except For 5-Amp Fuses | 0/0 | 0 |

INTERNATIONAL®**Vehicle Specifications
2014 4300 SBA 4X2 (MA025)**

| <u>Code</u> | <u>Description</u> | <u>F/R Wt</u> (lbs) | <u>Tot Wt</u> (lbs) |
|-------------|--|------------------------|------------------------|
| 9HAD | GRILLE Chrome | 0/0 | 0 |
| 9WAC | BUG SCREEN Front End; Mounted Behind Grille | 5/0 | 5 |
| 9WAY | FRONT END Tilting, Fiberglass, With Three Piece Construction | 0/0 | 0 |
| 10060 | PAINT SCHEMATIC, PT-1 Single Color, Design 100 | 0/0 | 0 |
| | <u>Includes</u> : PAINT SCHEMATIC ID LETTERS "GA" | | |
| 10761 | PAINT TYPE Base Coat/Clear Coat, 1-2 Tone | 0/0 | 0 |
| 10WGD | SPECIAL RATING, GVWR Limited to 25,999-lb GVWR | 0/0 | 0 |
| 11001 | CLUTCH Omit Item (Clutch & Control) | -67/-8 | -75 |
| 12NUL | ENGINE, DIESEL {MaxxFORCE DT} EPA 10, 230 HP @ 2200 RPM, 620 lb-ft Torque @ 1300 RPM, 2400 RPM Governed Speed | 0/0 | 0 |
| | <u>Includes</u> : AIR COMPRESSOR AIR SUPPLY LINE Naturally-Aspirated (Air Brake Chassis Only) : ANTI-FREEZE Red Shell Rotella Extended Life Coolant; -40 Degrees F/ -40 Degrees C; for MaxxFORCE Engines : COLD STARTING EQUIPMENT Intake Manifold Electric Grid Heater with Engine ECM Control : CRUISE CONTROL Electronic; Controls Integral to Steering Wheel : ENGINE OIL DRAIN PLUG Magnetic : ENGINE SHUTDOWN Electric, Key Operated : FUEL FILTER Included with Fuel/Water Separator : FUEL/WATER SEPARATOR Fuel/Water Separator and Fuel Filter in a Single Assembly; With Water-in-Fuel Sensor; Engine Mounted : GOVERNOR Electronic : OIL FILTER, ENGINE Spin-On Type : WET TYPE CYLINDER SLEEVES | | |
| | <u>Notes</u> : Recommend Code 12THT when using front mount obstructions (winches, cones, reels, etc.) that restrict air flow through the radiator. | | |
| 12TSY | FAN DRIVE {Borg-Warner SA85} Viscous Type, Screw On | 0/0 | 0 |
| | <u>Includes</u> : FAN Nylon | | |
| 12UAY | RADIATOR Aluminum; 2-Row, Cross Flow, Over Under System, 817 SqIn Louvered, With 262 SqIn CAC, With In Tank Oil Cooler | 52/-1 | 51 |
| | <u>Includes</u> : DEAERATION SYSTEM with Surge Tank : HOSE CLAMPS, RADIATOR HOSES Gates Shrink Band Type; Thermoplastic Coolant Hose Clamps : RADIATOR HOSES Premium, Rubber | | |
| 12UXG | FEDERAL EMISSIONS for 2010; MaxxFORCE DT Engines | 0/0 | 0 |
| 12VBR | AIR CLEANER With Service Protection Element | 0/0 | 0 |
| | <u>Includes</u> : GAUGE, AIR CLEANER RESTRICTION Air Cleaner Mounted | | |

INTERNATIONAL®

Vehicle Specifications
2014 4300 SBA 4X2 (MA025)

| <u>Code</u> | <u>Description</u> | <u>F/R Wt</u> (lbs) | <u>Tot Wt</u> (lbs) |
|-------------|---|------------------------|------------------------|
| 12VXT | THROTTLE, HAND CONTROL Engine Speed Control; Electronic, Stationary, Variable Speed; Mounted on Steering Wheel | 0/0 | 0 |
| 12VZA | ENGINE CONTROL, REMOTE MOUNTED Provision for; Includes Wiring for Body Builder Installation of PTO Controls; With Ignition Switch Control for MaxxForce post 2007 Emissions Electronic Engines | 0/0 | 0 |
| 12WTA | FAN DRIVE SPECIAL EFFECTS Fan Cooling Ring with Fan Shroud Effects, Engine Mounted | 14/-1 | 13 |
| 12WZC | EMISSION COMPLIANCE 5 Min., Tamper-Proof Engine Shutdown System, Complies With California Clean Air Regulations, Does Not Certify Engine for Low-NOx Extended Idling | 0/0 | 0 |
| 13ALX | TRANSMISSION, AUTOMATIC {Allison 2500_RDS_P} 4th Generation Controls; Wide Ratio, 5-Speed, With Overdrive; On/Off Hwy; 33,000 lb GVW & GCW Max., With PTO Provision, Less Retarder | -21/1 | -20 |
| | <u>Includes</u> : OIL FILTER, TRANSMISSION Mounted on Transmission : TRANSMISSION OIL PAN Magnet in Oil Pan | | |
| 13WLN | TRANSMISSION OIL Synthetic; 20 thru 28 Pints | 0/0 | 0 |
| 13WYL | SHIFT CONTROL PARAMETERS Allison Performance Programming in Primary and Allison Economy Programming in Secondary | 0/0 | 0 |
| 14AGG | AXLE, REAR, SINGLE {Dana Spicer 21060S} Single Reduction, 21,000-lb Capacity, 190 Wheel Ends . Gear Ratio: 5.57 | 0/-18 | -18 |
| | <u>Includes</u> : REAR AXLE DRAIN PLUG (1) Magnetic, For Single Rear Axle | | |
| | <u>Notes</u> : The following features should be considered when calculating Rear GAWR: Rear Axles; Rear Suspension; Brake System; Brakes, Rear Air Cam; Brake Shoes, Rear; Special Rating, GAWR; Wheels; Tires. : When Specifying Axle Ratio, Check Performance Guidelines and TCAPE for Startability and Performance | | |
| 14VAH | SUSPENSION, RR, SPRING, SINGLE Vari-Rate; 23,500-lb Capacity, With 4500 lb Auxiliary Rubber Spring | 0/66 | 66 |
| | <u>Notes</u> : The following features should be considered when calculating Rear GAWR: Rear Axles; Rear Suspension; Brake System; Brakes, Rear Air Cam; Brake Shoes, Rear; Special Rating, GAWR; Wheels; Tires. | | |
| 14WLA | AXLE, REAR, LUBE {EmGard 75W-90} Synthetic Oil; 1 thru 29.99 Pints | 0/0 | 0 |
| 15SGK | FUEL TANK Top Draw; D Style, Non Polished Aluminum, 50 U.S. Gal., 189 L Capacity, 16" Deep, with Quick Connect Outlet, Mounted Right Side, Under Cab | 0/0 | 0 |
| 16030 | CAB Conventional | 0/0 | 0 |
| | <u>Includes</u> : ARM REST (2) Molded Plastic; One Each Door : CLEARANCE/MARKER LIGHTS (5) Flush Mounted : COAT HOOK, CAB Located on Rear Wall, Centered Above Rear Window : CUP HOLDERS Two Cup Holders, Located in Lower Center of Instrument Panel : DOME LIGHT, CAB Rectangular, Door Activated and Push On-Off at Light Lens, Timed Theater Dimming, Integral to Console, Center Mounted : GLASS, ALL WINDOWS Tinted | | |

INTERNATIONAL®

**Vehicle Specifications
2014 4300 SBA 4X2 (MA025)**

| <u>Code</u> | <u>Description</u> | <u>F/R Wt</u> (lbs) | <u>Tot Wt</u> (lbs) |
|-------------|---|------------------------|------------------------|
| | : GRAB HANDLE, CAB INTERIOR (1) "A" Pillar Mounted, Passenger Side : GRAB HANDLE, CAB INTERIOR (2) Front of "B" Pillar Mounted, One Each Side : INTERIOR SHEET METAL Upper Door (Above Window Ledge) Painted Exterior Color | | |
| 16917 | MOUNTING BRACKETS for Catwalk, Less Roof Catwalk | 3/0 | 3 |
| 16HBA | GAUGE CLUSTER English With English Electronic Speedometer | 0/0 | 0 |
| | <u>Includes</u> : GAUGE CLUSTER (5) Engine Oil Pressure (Electronic), Water Temperature (Electronic), Fuel (Electronic), Tachometer (Electronic), Voltmeter : ODOMETER DISPLAY, Miles, Trip Miles, Engine Hours, Trip Hours, Fault Code Readout : WARNING SYSTEM Low Fuel, Low Oil Pressure, High Engine Coolant Temp, and Low Battery Voltage (Visual and Audible) | | |
| 16HGH | GAUGE, OIL TEMP, ALLISON TRAN | 1/0 | 1 |
| 16HKT | IP CLUSTER DISPLAY On Board Diagnostics Display of Fault Codes in Gauge Cluster | 0/0 | 0 |
| 16JNZ | SEAT, DRIVER {National 2000} Self Contained with Compressor, High Back with Integral Head Rest, Vinyl, Isolator, Mechanical Lumbar, 2 Position Front Cushion Adjust, -3 to +14 Degree Back Angle Adjust | 7/2 | 9 |
| | <u>Includes</u> : SEAT BELT 3-Point, Lap and Shoulder Belt Type | | |
| 16PJH | SEAT, PASSENGER {Gra-Mag} Non Suspension, High Back, Fixed Back, Integral Headrest, Vinyl | 39/11 | 50 |
| | <u>Includes</u> : SEAT BELT 3-Point, Lap and Shoulder Belt Type | | |
| 16SDL | MIRRORS (2) {Lang Mekra} Rectangular, 7.44" x 14.84" & 7.44" sq. Convex Both Sides, 102" Inside Spacing, Breakaway Type, Heated Heads Thermostatic Controlled, Black Heads, Brackets and Arms | 0/0 | 0 |
| 16WCT | AIR CONDITIONER {Blend-Air} With Integral Heater & Defroster | 67/4 | 71 |
| | <u>Includes</u> : HEATER HOSES Premium : HOSE CLAMPS, HEATER HOSE Mubea Constant Tension Clamps : REFRIGERANT Hydrofluorocarbon HFC-134A | | |
| 16WJS | INSTRUMENT PANEL Center Section, Flat Panel | 0/0 | 0 |
| 16WKY | HVAC FRESH AIR FILTER | 4/0 | 4 |
| 16WRX | CAB INTERIOR TRIM Deluxe | 0/0 | 0 |
| | <u>Includes</u> : "A" PILLAR COVER Molded Plastic : CAB INTERIOR TRIM PANELS Cloth Covered Molded Plastic, Full Height; All Exposed Interior Sheet Metal is Covered Except for the Following: with a Two-Man Passenger Seat or with a Full Bench Seat the Back Panel is Completely Void of Covering : CONSOLE, OVERHEAD Molded Plastic; With Dual Storage Pockets with Retainer Nets and CB Radio Pocket : DOOR TRIM PANELS Molded Plastic; Driver and Passenger Doors : FLOOR COVERING Rubber, Black : HEADLINER Soft Padded Cloth | | |

INTERNATIONAL®

**Vehicle Specifications
2014 4300 SBA 4X2 (MA025)**

| <u>Code</u> | <u>Description</u> | <u>F/R Wt</u> (lbs) | <u>Tot Wt</u> (lbs) |
|--|---|------------------------|------------------------|
| | : INSTRUMENT PANEL TRIM Molded Plastic with Black Center Section : STORAGE POCKET, DOOR (1) Molded Plastic, Full-Length; Driver Door : SUN VISOR (2) Padded Vinyl with Driver Side Toll Ticket Strap, Integral to Console | | |
| 27DMA | WHEELS, FRONT DISC; 22.5" Painted Steel, 2 Hand Hole, 10 Stud (285.75MM BC) Hub Piloted, Flanged Nut, Metric Mount, 8.25 DC Rims; With Steel Hubs <u>Includes</u> : PAINT IDENTITY, FRONT WHEELS White <u>Notes</u> : Compatible Tire Sizes: 11R22.5, 12R22.5, 255/70R22.5, 255/80R22.5, 265/75R22.5, 275/70R22.5, 275/80R22.5, 295/75R22.5, 295/80R22.5 | 4/0 | 4 |
| 28DMA | WHEELS, REAR DUAL DISC; 22.5" Painted Steel, 2 Hand Hole, 10-Stud (285.75MM BC) Hub Piloted, Flanged Nut, Metric Mount, 8.25 DC Rims; With Steel Hubs <u>Includes</u> : PAINT IDENTITY, REAR WHEELS White <u>Notes</u> : Compatible Tire Sizes: 11R22.5, 12R22.5, 255/70R22.5, 255/80R22.5, 265/75R22.5, 275/70R22.5, 275/80R22.5, 295/75R22.5, 295/80R22.5 | 0/24 | 24 |
| 7702499054 | (2) TIRE, FRONT 295/75R22.5 R260F (BRIDGESTONE) 512 rev/mile, load range G, 14 ply | 62/0 | 62 |
| 7702499054 | (4) TIRE, REAR 295/75R22.5 R260F (BRIDGESTONE) 512 rev/mile, load range G, 14 ply | 0/124 | 124 |
| Services Section: | | | |
| 40BKC | SERVICES, TOWING To 48-Month/125,000 Miles (200,000 km), 4500 Hours; Service Call to the Vehicle or Towing to the Nearest International Dealership for a Non-Drivable Unit in Conjunction with an International Warrantable Failure; \$250 (USA) Maximum Benefit per Incident | 0/0 | 0 |
| Total Component Weight: | | 6665/3505 | 10170 |
| 1 | A Supreme 22' Kold King Refer Body. L-22' H-96" W-102" OD. Actual 21'8" x 90" x 94" Includes Maxon RC-3 3000lb Gate 66" x 96" +12" Fixed Ramp. | 0/0 | 0 |
| 2 | Refer--A Carrier Supra 760 (replaces the Supra 750) with Standby. 230v 3-Phrase. Includes Stop/Start and Electric Standby. Meets latest CARB Requirements. | 0/0 | 0 |
| Total Body Allied: | | 0/0 | 0 |
| ### | | 0/0 | 0 |
| Fire Ext. & Reflector Kit | | 0/0 | 0 |
| Fuel for Delivery | | 0/0 | 0 |
| Federally Mandated On-Board Diagnostics. | | 0/0 | 0 |
| Total Goods Purchased: | | 0/0 | 0 |