

ABBREVIATIONS:

A	AMPERE
AFF	ABOVE FINISHED FLOOR
AFG	ABOVE FINISHED GRADE
ANN	ANNUNCIATOR
AP	ACCESS POINT
BFF	BELOW FINISHED FLOOR
BFG	BELOW FINISHED GRADE
BICSI	BUILDING INDUSTRY CONSTRUCTION SERVICE INTERNATIONAL
BLDG	BUILDING
C	CONDUIT
CAB	CABINET
CAT	CATEGORY
CATV	CABLE TELEVISION
CD	CANDELA
CFI	CONTRACTOR FURNISHED/CONTRACTOR INSTALLED
CL	CENTER LINE
CO	CARBON MONOXIDE
DN	DOWN
(E)	EXISTING
EMT	ELECTRICAL METALLIC TUBING
EOL	END OF LINE
FA	FIRE ALARM
FACP	FIRE ALARM CONTROL PANEL
FTC	FIRE TERMINAL CABINET
GRC	GALVANIZED RIGID CONDUIT
G OR GB	GROUND BOX
IACP	INTRUSION ALARM CONTROL PANEL
IDF	INTERMEDIATE DISTRIBUTION FRAME
IMC	INTERMEDIATE METAL CONDUIT
J OR JB	JUNCTION BOX
MEP	MECHANICAL / ELECTRICAL / PLUMBING
MDF	MAIN DISTRIBUTION FRAME
MPOE	MINIMUM POINT OF ENTRY
(N)	NEW
NFPA	NATIONAL FIRE PROTECTION ASSOCIATION
NTS	NOT TO SCALE
N/A	NOT APPLICABLE
OFE	OWNER FURNISHED EQUIPMENT
OFCI	OWNER FURNISHED/CONTRACTOR INSTALLED
OFOI	OWNER FURNISHED/OWNER INSTALLED
OSP	OUTSIDE PLANT
PVC	POLYVINYL CHLORIDE
RCDD	REGISTERED COMMUNICATION DISTRIBUTION DESIGNER
RCWY	RACEWAY
RM	ROOM
SR	SURFACE RACEWAY
TYP	TYPICAL
UG	UNDERGROUND
UL	UNDERWRITERS LABORATORIES
UNO	UNLESS NOTED OTHERWISE
V	VOLTS
W	WATT
WP	WEATHERPROOF

TECHNOLOGY SYMBOL LEGEND:

ALL EQUIPMENT AND MATERIALS ARE CONTRACTOR FURNISHED, INSTALLED AND CONFIGURED (UNO)

SYMBOL	DESCRIPTION	MANUFACTURER	PART NUMBER	NOTES / DETAIL REFERENCES
---	(N) SURFACE MOUNTED CONDUIT	COMMERCIAL GENERIC	N/A	GREY = EXISTING
---	(E) UNDERGROUND CONDUIT	N/A	N/A	GREY = EXISTING
(N)	(N) HIGH CAPACITY SURFACE MOUNTED CABLE RACEWAY	WIREMOLD	5500 SERIES	GREY = EXISTING
(N)	(N) MEDIUM CAPACITY SURFACE MOUNTED CABLE RACEWAY	WIREMOLD	2300 SERIES	GREY = EXISTING
(N)	(N) J-HOOK PATHWAY	COMMERCIAL GENERIC	N/A	GREY = EXISTING
(N)	(N) 12" LADDER RACK	DAMAC	SEE SECTION 27 10 00	N/A
MDF / IDF	(N) DATA RACK	DAMAC	SEE SHEET T400	GREY = EXISTING
(G)	(E) GROUND BOX	N/A	N/A	N/A
(J)	(N) JUNCTION BOX	COMMERCIAL GENERIC	N/A	GREY = EXISTING
(N) / (E)	(N) SURFACE MOUNTED 4-SQUARE JUNCTION BOX, WALL / CEILING	4-SQ. COMMERCIAL GENERIC	N/A	GREY = (E)
(N)	(N) CAT6A DATA DROP LOCATION	ORTRONICS	KEYSTONE C271000	*"X" INDICATED QTY. NO "X" = 1 EA.
(N)	(N) CAT6A DATA DROP LOCATION - WALL MOUNTED WIRELESS ACCESS POINT	ARUBA	AP 515	2 EA. DROPS PER LOCATION COVER WHEN REQ. OBERON 1021
(N)	(N) CAT6A DATA DROP LOCATION - CEILING MOUNTED WIRELESS ACCESS POINT	ARUBA	AP 515	2 EA. DROPS PER LOCATION
(N)	(N) CAT6A DATA DROP LOCATION - EXTERIOR ACCESS POINT	ARUBA	AP 567	2 EA. DROPS PER LOCATION
(N)	(N) CAT6A DATA DROP LOCATION - WALL PHONE	N/A	N/A	45" AFF TO TOP
(N)	(N) NETWORK VIDEO RECORDER	I-PRO	SEE SHEET T400	N/A
(N)	(N) 5MP VANDAL RESISTANT INDOOR DOME NETWORK CAMERA	I-PRO	WV-92252L	N/A
(N)	(N) 5MP VANDAL RESISTANT OUTDOOR DOME NETWORK CAMERA	I-PRO	WV-92552L	N/A
(N)	(N) CAT6A DATA DROP LOCATION - IP CLOCK	LOWELL & SAPLING	SEE SHEET T401	16" = 16" CLOCK
(N)	(N) CAT6A DATA DROP LOCATION (QTY = 2) IP CLOCK/SPEAKER/MP MODULE COMBO BOX	LOWELL, SAPLING, RAULAND & TCJ	SEE SHEET T401	N/A
(N)	(N) CAT6A DATA DROP LOCATION - WALL MOUNTED SPEAKER/MP MODULE	RAULAND & TELECENTER U	SEE SHEET T401	N/A
(N)	(N) CAT6A DATA DROP LOCATION - DROP CEILING INTERCOM SPKR/MP MOD	RAULAND & TELECENTER U	SEE SHEET T401	N/A
(N)	(N) CAT6A DATA DROP LOCATION - EXTERIOR INTERCOM SPEAKER/MP MODULE	LOWELL, RAULAND & TELECENTER U	SEE SHEET T401	N/A
(N)	(N) CAT6A DATA DROP LOCATION - EXTERIOR IP INTERCOM HORN/MP MODULE	LOWELL, RAULAND & TELECENTER U	SEE SHEET T401	N/A
(E)	(E) ELECTRICAL OUTLET	N/A	N/A	N/A

CONTRACTOR FURNISHED DOCUMENTS:

- (SHOP DRAWINGS / PRODUCT SUBMITTALS / QUALIFICATIONS)
- ORDERING AND INSTALLATION OF THE SYSTEMS SHALL NOT BE STARTED UNTIL THE FOLLOWING:
    - CONTRACTOR FURNISHED SHOP DRAWINGS ARE RECEIVED AND APPROVED BY THE DESIGNER.
    - PRODUCT SUBMITTAL DOCUMENTS ARE RECEIVED AND APPROVED BY THE DESIGNER.
    - APPLICABLE QUALIFICATION DOCUMENTATION ARE RECEIVED AND APPROVED BY THE DESIGNER.
  - ANY DESIGN AND/OR INSTALLATION DISCREPANCIES/CHANGE ORDER REQUESTS ARE TO BE ADDRESSED AT TIME OF SHOP DRAWING CREATION, CHANGE ORDERS AFTER APPROVED SHOP DRAWINGS ARE THE SOLE RESPONSIBILITY OF THE CONTRACTOR.
  - ALTERNATIVE PRODUCTS ARE TO SUBMITTED WITH A FORMAL SUBSTITUTION REQUEST AND THE CONTRACTOR IS RESPONSIBLE FOR DEMONSTRATING PRODUCT FULL EQUIVALENCY.
  - IT SHALL BE UNDERSTOOD THAT THE DRAWINGS, DETAILS, AND ONE-LINES PROVIDED WITH THE DESIGN PACKAGE ARE DIAGRAMMATIC. INFORMATION PRESENTED IN DESIGN DRAWINGS ARE AS ACCURATE AS POSSIBLE, BUT ACCURACY IS NOT GUARANTEED AND FIELD VERIFICATION OF ALL DIMENSIONS, ROUTING, ETC., BY THE CONTRACTOR IS REQUIRED.
  - DRAWINGS AND SPECIFICATIONS ARE PROVIDED TO SHOW THE INTENT OF THE DESIGN TO ASSIST THE CONTRACTOR IN SUBMITTING AN ACCURATE BID. CONTRACTOR IS DIRECTED TO MAKE FIELD SURVEYS AS PART OF THEIR WORK PRIOR TO SUBMITTING SYSTEM LAYOUT DRAWINGS (SHOP DRAWINGS). THE CONTRACTOR SHALL MAKE ALLOWANCE IN THE PROPOSAL TO COMPLY WITH THE INTENT OF THE DESIGN.
  - IN CASE OF DOUBT OF WORK INTENDED, IT IS THE RESPONSIBILITY OF THE CONTRACTOR TO REQUEST INSTRUCTIONS FROM THE DESIGNER OR OWNER PRIOR TO BID.
  - THE CONTRACTOR SHALL BE RESPONSIBLE FOR INSTALLING A COMPLETE, OPERABLE, AND FULLY FUNCTIONING SYSTEM.

TECHNOLOGY GENERAL PROJECT NOTES:

- UPON COMPLETION OF THE INSTALLATION OF THE SYSTEMS, THE CONTRACTOR SHALL PROVIDE A SATISFACTORY TEST OF THE ENTIRE SYSTEMS IN THE PRESENCE OF THE ARCHITECT/ENGINEER, INSPECTOR, AND THE OWNER.
- A STAMPED SET OF APPROVED SYSTEM DESIGN DOCUMENTS, AND CONTRACTOR FURNISHED SHOP DRAWINGS SHALL BE ON THE JOB SITE AND USED FOR INSTALLATION. THE CONTRACTOR SHALL INCORPORATE ANY AND ALL REVISIONS TO DRAWINGS SETS AS REQUIRED. ANY DEVIATION FROM APPROVED DESIGN DOCUMENTS, INCLUDING THE SUBSTITUTION OF DEVICES, SHALL BE APPROVED BY THE ARCHITECT/ENGINEER AND THE OWNER PRIOR TO INSTALLATION.
- ANY DISCREPANCIES BETWEEN THE DRAWINGS AND THE CODE OR RECOGNIZED STANDARDS SHALL BE BROUGHT TO THE ATTENTION OF THE ARCHITECT/ENGINEER PRIOR TO INSTALLATION.
- ALL PENETRATIONS THROUGH RATED ASSEMBLIES REQUIRING OPENING PROTECTION SHALL BE PROVIDED WITH THROUGH RATED ASSEMBLIES REQUIRING OPENING PROTECTION SHALL BE PROVIDED WITH THROUGH PENETRATION FIRST STOP SYSTEMS WITH A "T" RATING EQUAL TO THE ASSEMBLY PENETRATED.
- PER CEC STANDARDS, ALL WIRING IS TO BE PULLED THROUGH EACH JUNCTION BOX AND CONNECTED DIRECTLY TO EACH DEVICE. DO NOT SPLICE THE WIRE. THERE MUST BE AT LEAST 6" OF LEAD WIRE FROM THE BOX TO THE ALL BOXES TO BE SIZED PER CEC ARTICLE 314-16(A).
- ALL CIRCUITS SHALL BE IN CONDUIT, SURFACE RACEWAY, OR OPEN RUN ABOVE CEILINGS, UNDER FLOORS AND IN WALLS IN A NEAT AND PROTECTED MANNER AS INDICATED ON DESIGN DOCUMENTS. EXPOSED CABLES ARE ONLY PERMITTED AS INDICATED ON DESIGN DOCUMENTS AS "EXPOSED".
- LOW VOLTAGE PANELS, REMOTES, AND COMPONENTS SHALL BE SECURED TO MOUNTING SURFACES PER MANUFACTURER'S SPECIFICATIONS. NO SINGLE DEVICE SHALL EXCEED THE WEIGHT FOR 20 lbs., WITHOUT SPECIAL MOUNTING DETAILS.
- THE CONTRACTOR SHALL NOTIFY THE ARCHITECT/ENGINEER AT A MINIMUM OF FIVE (5) WORKING DAYS PRIOR TO FINAL INSPECTION FOR FINAL PUNCH ALL ITEMS ON PUNCH LIST MUST BE COMPLETE FOR JOB TO FINAL.
- PRIOR TO FINAL INSPECTION, THE CONTRACTOR SHALL PROVIDE ALL PROJECT AS-BUILT DRAWINGS AND MANUALS PER SPECIFICATIONS.
- THE CONTRACTOR SHALL ALSO PROVIDE A TYPED RECORD OF COMPLETION. A FINAL WILL NOT BE GRANTED UNTIL THE ABOVE IS APPROVED BY THE OWNER.

PROJECT CODES AND STANDARDS:

PARTIAL LIST OF APPLICABLE CODES AND STANDARDS EFFECTIVE: JANUARY 1, 2023:

2022 CALIFORNIA ADMINISTRATIVE CODE (CAC), CCR, TITLE 24, PART 1  
2022 CALIFORNIA BUILDING CODE (CBC), CCR, TITLE 24, PART 2 (2018 INTERNATIONAL BUILDING CODE WITH CALIFORNIA AMENDMENTS)  
2022 CALIFORNIA ELECTRICAL CODE (CEC), CCR, TITLE 24, PART 3 (2017 NATIONAL ELECTRICAL CODE WITH CALIFORNIA AMENDMENTS)  
2022 CALIFORNIA MECHANICAL CODE (CMC), CCR, TITLE 24, PART 4 (2018 UNIFORM MECHANICAL CODE, WITH CALIFORNIA AMENDMENTS)  
2022 CALIFORNIA ENERGY CODE, CCR, TITLE 24, PART 6  
2022 CALIFORNIA FIRE CODE (CFC), CCR, TITLE 24, PART 9 (2018 INTERNATIONAL FIRE CODE WITH CALIFORNIA AMENDMENTS)  
2022 CALIFORNIA GREEN BUILDING STANDARDS CODE, CCR, TITLE 24, PART 11  
2022 CALIFORNIA REFERENCED STANDARDS CODE, CCR, TITLE 24, PART 12  
2022 NFPA 72, NATIONAL FIRE ALARM AND SIGNALING CODE, NATIONAL FIRE PROTECTION ASSOCIATION

ANCHORAGE AND BRACING NOTES:

APPLICABLE CODE: 2019 CBC REVISED: 02/14/2020

MEP COMPONENT ANCHORAGE NOTE:

ALL MECHANICAL, PLUMBING, AND ELECTRICAL COMPONENTS SHALL BE ANCHORED AND INSTALLED PER THE DETAILS ON THE DSA APPROVED CONSTRUCTION DOCUMENTS. THE FOLLOWING COMPONENTS SHALL BE ANCHORED OR BRACED TO MEET THE FORCE AND DISPLACEMENT REQUIREMENTS PRESCRIBED IN THE 2019 CBC SECTIONS 1917A.1.18 THROUGH 1917A.1.26 AND ASCE 7-16 CHAPTERS 13, 26 THRU 30:

- ALL PERMANENT EQUIPMENT AND COMPONENTS.
- TEMPORARY, MOVEABLE OR MOBILE EQUIPMENT THAT IS PERMANENTLY ATTACHED (E.G. HARD WIRED) TO THE BUILDING UTILITY SERVICES SUCH AS ELECTRICITY, GAS OR WATER. "PERMANENTLY ATTACHED" SHALL INCLUDE ALL ELECTRICAL CONNECTIONS EXCEPT PLUGS FOR 110/220 VOLT RECEPTACLES HAVING A FLEXIBLE CABLE.
- TEMPORARY, MOVEABLE OR MOBILE EQUIPMENT WHICH IS HEAVIER THAN 400 POUNDS OR HAS A CENTER OF MASS LOCATED 4 FEET OR MORE ABOVE THE ADJACENT FLOOR OR ROOF LEVEL THAT DIRECTLY SUPPORT THE COMPONENT IS REQUIRED TO BE RESTRAINED IN A MANNER APPROVED BY DSA.

THE FOLLOWING MECHANICAL AND ELECTRICAL COMPONENTS SHALL BE POSITIVELY ATTACHED TO THE STRUCTURE BUT NEED NOT DEMONSTRATE DESIGN COMPLIANCE WITH THE REFERENCES NOTED ABOVE. THESE COMPONENTS SHALL HAVE FLEXIBLE CONNECTIONS PROVIDED BETWEEN THE COMPONENT AND ASSOCIATED DUCTWORK, PIPING, AND CONDUIT. FLEXIBLE CONNECTIONS MUST ALLOW MOVEMENT IN BOTH TRANSVERSE AND LONGITUDINAL DIRECTIONS:

- COMPONENTS WEIGHING LESS THAN 400 POUNDS AND HAVING A CENTER OF MASS LOCATED 4 FEET OR LESS ABOVE THE ADJACENT FLOOR OR ROOF LEVEL THAT DIRECTLY SUPPORT THE COMPONENTS.
- COMPONENTS WEIGHING LESS THAN 20 POUNDS, OR IN THE CASE OF DISTRIBUTION SYSTEMS, LESS THAN 5 POUNDS PER FOOT, WHICH ARE SUSPENDED FROM A ROOF OR FLOOR OR HUNG FROM A WALL.

THE ANCHORAGE OF ALL MECHANICAL, ELECTRICAL AND PLUMBING COMPONENTS SHALL BE SUBJECT TO THE APPROVAL OF THE DESIGN PROFESSIONAL IN GENERAL RESPONSIBLE CHARGE OR STRUCTURAL ENGINEER DELEGATED RESPONSIBILITY AND ACCEPTANCE BY DSA. THE PROJECT INSPECTOR WILL VERIFY THAT ALL COMPONENTS AND EQUIPMENT HAVE BEEN ANCHORED IN ACCORDANCE WITH THE ABOVE REQUIREMENTS.

PIPING, DUCTWORK, AND ELECTRICAL DISTRIBUTION SYSTEM BRACING NOTE:

PIPING, DUCTWORK AND ELECTRICAL SYSTEMS SHALL BE BRACED TO COMPLY WITH THE FORCES AND DISPLACEMENTS PRESCRIBED IN ASCE 7-16 SECTIONS 13.3 AS DEFINED IN ASCE 7-16 SECTIONS 13.6.5, 13.6.6, 13.6.7, 13.6.8 AND 2019 CBC SECTIONS 1917A.1.24, 1917A.1.25 AND 1917A.1.26

THE METHOD OF SHOWING BRACING AND ATTACHMENTS TO THE STRUCTURE FOR THE IDENTIFIED DISTRIBUTIONS SYSTEM ARE A NOTED BELOW. WHEN BRACING AND ATTACHMENTS ARE BASED ON A PRE-APPROVED INSTALLATION GUIDE (E.G., OSHPD OPM FOR 2013 CBC OR LATER), COPIES OF THE BRACING SYSTEM INSTALLATION GUIDE OR MANUAL SHALL BE AVAILABLE ON THE JOBSITE PRIOR TO THE START OF AND DURING THE HANGING AND BRACING OF THE DISTRIBUTION SYSTEMS. THE STRUCTURAL ENGINEER OF RECORD SHALL VERIFY THE ADEQUACY OF THE STRUCTURE TO SUPPORT THE HANGER AND BRACE LOADS.

MECHANICAL PIPING (MP), MECHANICAL DUCTS (MD), PLUMBING PIPES (PP), ELECTRICAL DISTRIBUTION SYSTEMS (E):

- MP | MD | PP | E | X | OPTION 1: DETAILED ON THE APPROVED DRAWINGS WITH PROJECT SPECIFIC NOTES AND DETAILS.  
MP | MD | PP | E | OPTION 2: SHALL COMPLY WITH THE APPLICABLE OSHPD PRE-APPROVED (OPM #)

SHEET INDEX:

SHEET	DESCRIPTION
T000	TECHNOLOGY COVER SHEET
T100	TECHNOLOGY SITE PLAN - BACKBONE PATHWAY
T101	TECHNOLOGY SITE PLAN - EXTERIOR WIRELESS ACCESS POINTS
T102	TECHNOLOGY SITE PLAN - EXTERIOR INTERCOM SPEAKERS
T200	TECHNOLOGY FLOOR PLAN - MDF 1.0
T201	TECHNOLOGY FLOOR PLANS - IDF 1.1 AND 1.10
T202	TECHNOLOGY FLOOR PLANS - IDF 1.2, 1.3 AND 1.4
T203	TECHNOLOGY FLOOR PLANS - IDF 1.5, 1.6, 1.7, 1.8 AND 1.9
T400	TECHNOLOGY DATA RACK ELEVATIONS AND SINGLE LINE DIAGRAM
T401	TECHNOLOGY INTERCOM SINGLE LINE DIAGRAM
T800	TECHNOLOGY DETAILS
T801	TECHNOLOGY DETAILS
T802	TECHNOLOGY DETAILS
FA200	FIRE ALARM FLOOR PLANS - CLASSROOMS 15, 16 AND COMPUTER LAB 23
IA200	INTRUSION ALARM FLOOR PLANS - ADMIN. AND MULTI-PURPOSE ROOM

TECHNOLOGY SCOPE OF WORK:

- ESTABLISH NEW MDF AND IDF RACKS / CABINET.
- INSTALL NEW 12-STRAND SM FIBER TO ALL IDFS.
- FURNISH AND INSTALL NEW J-HOOKS, CONDUIT AND RACEWAY PATHWAYS AS REQUIRED TO INSTALL NEW CABLES.
- INSTALL NEW CAT-6A CABLES AS INDICATED ON DRAWINGS. EXISTING CAMERAS SHALL HAVE NEW CAT6A CABLES INSTALLED.
- INSTALL DISTRICT FURNISHED DATA SWITCHES AND WIRELESS ACCESS POINTS.
- FURNISH, INSTALL AND CONFIGURE NEW RAULAND TELECENTER U SYSTEM. FURNISH AND INSTALL NEW ZONE PAGE MODULES IN IDFS, CONNECTED TO EXTERIOR SPEAKERS.
- FURNISH AND INSTALL NEW IP CLOCKS AND IP SPEAKERS.
- COORDINATE INSTALLATION WITH EXISTING CONTRACTORS ON-SITE. COORDINATE CUTOVERS AND ACTIVATION / COMMISSIONING OF NEW SYSTEM WITH DISTRICT REPRESENTATIVE AND DISTRICT STAFF.
- PROVIDE AND INSTALL 1 EA. FIRE EXTINGUISHER IN MDF. HALOCARBON TYPE WITH DUPONT "FE-36," ALSO KNOWN AS "CLEANGLAND" OR "HALOTRON 1" AS STANDARD WITH EXTINGUISHER MANUFACTURER AND MEETING GOVERNING REGULATIONS, UL RATING 2B-C

TECHNOLOGY BID ALT. SCOPE OF WORK:

- EXTEND EXISTING ELECTRICAL OUTLET TO WITHIN 12" OF NEW DATA DROPS.



KMM SERVICES, INC  
TECHNOLOGY & FIRE LIFE SAFETY

5433 El Camino Ave. Suite 5  
Carlsbad, CA 92008  
Office: (916) 359-4000 www.kmmservices.com



Copyright © 2023

These drawings and specifications and the ideas, designs and arrangements represented thereby are and shall remain the property of KMM Services, Inc. and no part thereof shall be copied, disclosed to others, or used in connection with any other work or project other than the specific project for which they have been prepared and developed without the written consent of KMM Services, Inc. Visual contact with these drawings or specifications shall constitute conclusive evidence of these restrictions.

IF DRAWING IS NOT 30"x42" IT IS A REDUCED PRINT

SHEET REVISIONS

DELTA	DESCRIPTION	DATE

SITE KEY PLAN

PROJECT  
SACRAMENTO CITY USD  
CLAYTON B. WIRE ES  
TECHNOLOGY NETWORK  
INFRA. UPGRADE  
5100 EL PASO AVE.  
SACRAMENTO, CA. 95824

SHEET TITLE

TECHNOLOGY  
COVER SHEET

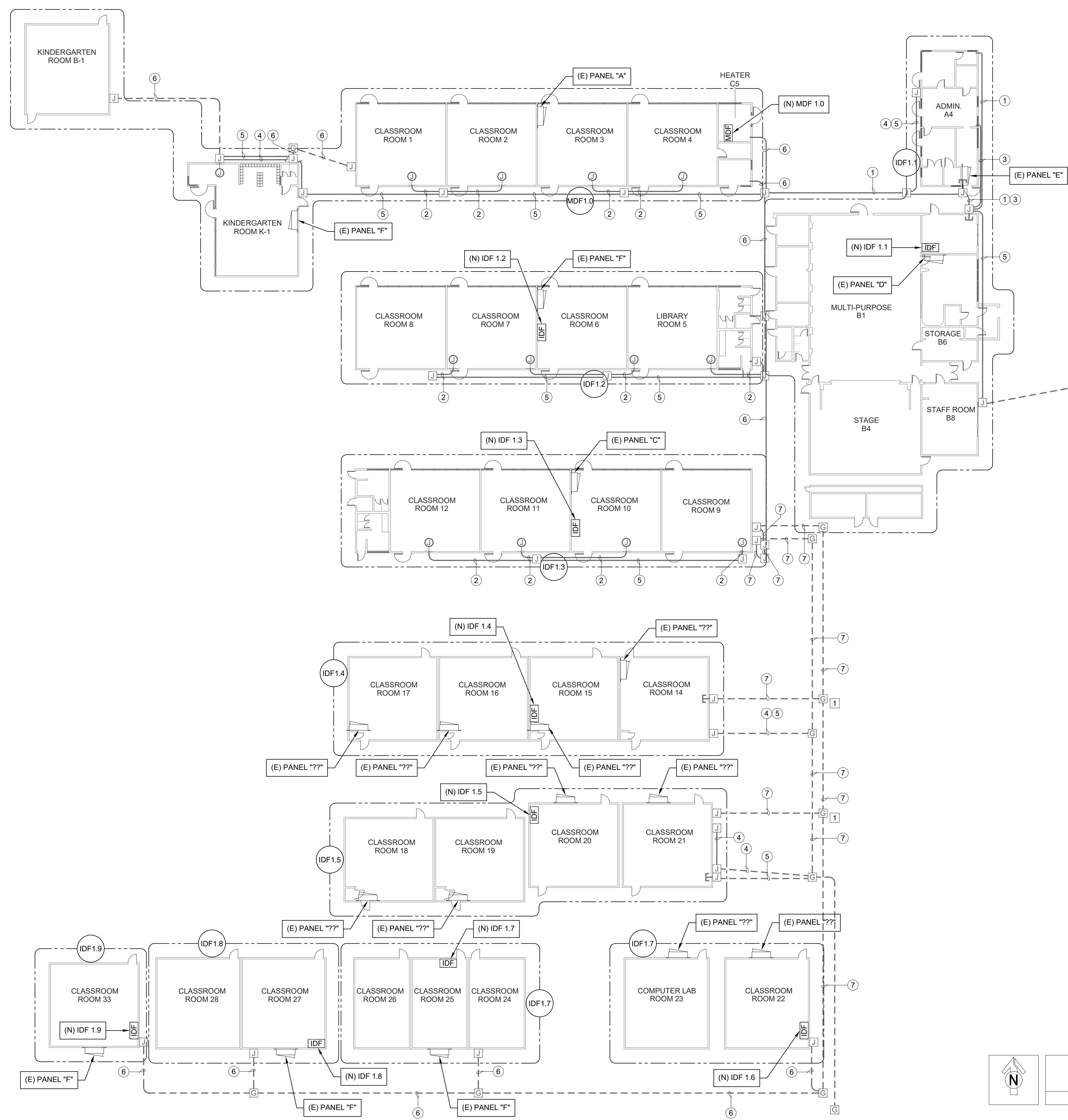
DRAWING STATUS

BID SET

PROJECT NO:	-
CONTRACT NO:	0040-461-2
DESIGNED BY:	RK/CC
CHECKED BY:	JG
ISSUE DATE:	2023-03-16
WORKING DATE:	2023-03-20
REVISION	

SHEET  
T000

LogIn Name: good  
 Plot Date: March 20, 2023 - 0:00 PM  
 Plot Date: March 20, 2023 - 0:00 PM  
 User: KMM\KASSTROM, RONNY



**CONDUIT QUANTITY AND SIZE:**

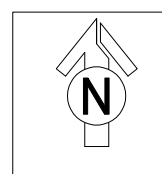
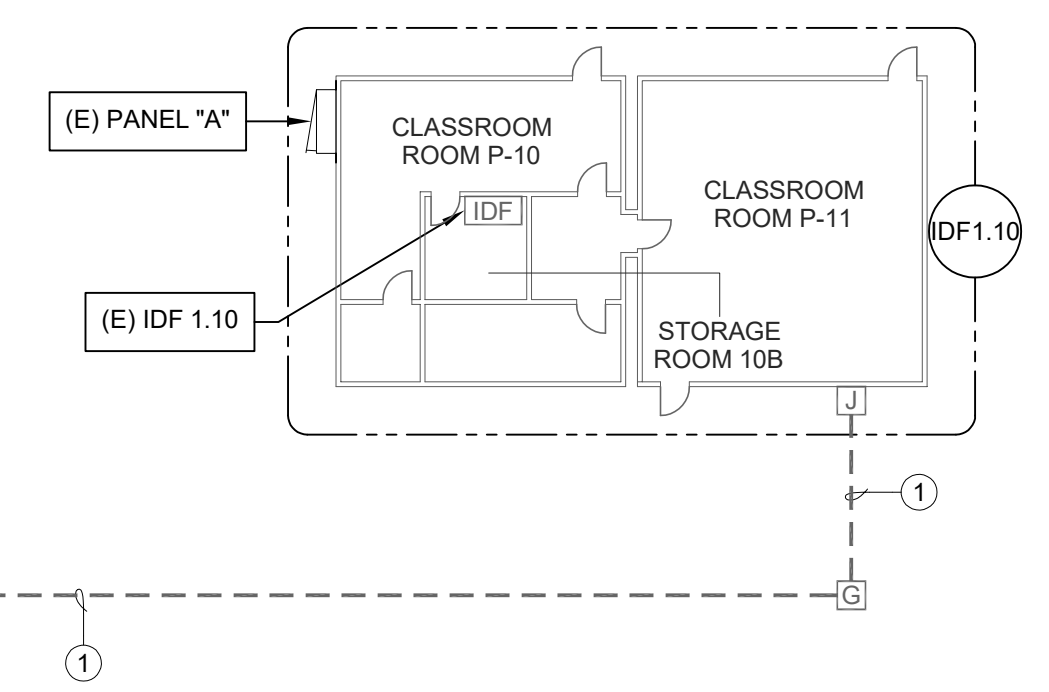
①	(E) 1 EA. 1/2" CONDUITS.
②	(E) 1 EA. 3/4" CONDUITS.
③	(E) 2 EA. 3/4" CONDUITS.
④	(E) 1 EA. 1" CONDUITS.
⑤	(E) 1 EA. 2" CONDUITS.
⑥	(E) 2 EA. 2" CONDUITS.
⑦	(E) 4 EA. 2" CONDUITS.

**GENERAL NOTE(S):**

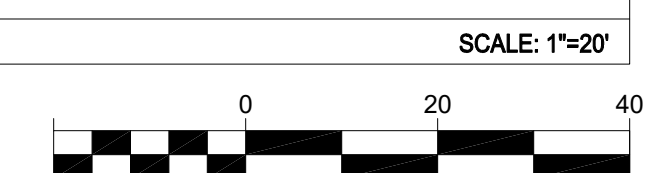
- NO STRUCTURAL BEAMS SHALL BE PENETRATED OR ALTERED.
- PROVIDE APPROPRIATE WM5500 TO WM2300 FITTINGS TO EXIT WM5500 TO TRANSITION DOWN TO DROP LOCATIONS.
- RELOCATE EXISTING INTRUSION DEVICES UP OR DOWN TO ALLOW NEW RACEWAY TO BE INSTALLED. VERIFY THAT THE RELOCATED DEVICE IS NOT CAUSING A FAULT ON THE ALARM PANEL PRIOR TO LEAVING THE SITE.

**SHEET NOTE(S):**

- EXISTING GROUND BOX LID DAMAGED / CRUSHED. CONTRACTOR TO REPLACE LID WITH NEW.



**TECHNOLOGY SITE PLAN - BACKBONE PATHWAY**



**KMM SERVICES, INC.**  
 TECHNOLOGY & FIRE LIFE SAFETY

5433 El Camino Ave. Suite 5  
 Carmichael, CA 95608  
 Office: (916) 359-4000 www.kmm.com



Copyright © 2023  
 These drawings and specifications and the ideas, designs and arrangements represented thereby are and shall remain the property of KMM Services, Inc. and no part thereof shall be copied, disclosed, or used in connection with any other work or project other than the specific project for which they have been prepared and developed without the written consent of KMM Services, Inc. Visual contact with these drawings or specifications shall constitute conclusive evidence of these restrictions.

IF DRAWING IS NOT 30"x42" IT IS A REDUCED PRINT

**SHEET REVISIONS**

DELTA	DESCRIPTION	DATE
△	NOTED (E) ELEC. PANELS	2023-03-20

**SITE KEY PLAN**

PROJECT  
**SACRAMENTO CITY USD  
 CLAYTON B. WIRE ES  
 TECHNOLOGY NETWORK  
 INFRA. UPGRADE**  
 5100 EL PASO AVE.  
 SACRAMENTO, CA. 95824

SHEET TITLE  
**TECHNOLOGY  
 SITE PLAN  
 - BACKBONE PATHWAY**

DRAWING STATUS  
**BID SET**

PROJECT NO:	-
CONTRACT NO:	0040-461-2
DESIGNED BY:	RK/CC
CHECKED BY:	JG
ISSUE DATE:	2023-03-16
WORKING DATE:	2023-03-20
REVISION	

SHEET  
**T100**



**KMM SERVICES, INC.**  
TECHNOLOGY & FIRE LIFE SAFETY

5433 El Camino Ave. Suite 5  
Carmichael, CA 95608  
Office: (916) 359-4000 www.kmm-services.com



Copyright © 2023  
These drawings and specifications and the ideas, designs and arrangements represented thereby are and shall remain the property of KMM Services, Inc. and no part thereof shall be copied, disclosed, or used in connection with any other work or project other than the specific project for which they have been prepared and developed without the written consent of KMM Services, Inc. Visual contact with these drawings or specifications shall constitute conclusive evidence of these restrictions.

IF DRAWING IS NOT 30"x42" IT IS A REDUCED PRINT

**SHEET REVISIONS**

DELTA	DESCRIPTION	DATE

**SITE KEY PLAN**

PROJECT  
**SACRAMENTO CITY USD  
CLAYTON B. WIRE ES  
TECHNOLOGY NETWORK  
INFRA. UPGRADE**  
5100 EL PASO AVE.  
SACRAMENTO, CA. 95824

**SHEET TITLE**

**TECHNOLOGY  
SITE PLAN  
- EXTERIOR WIRELESS  
ACCESS POINTS**

**DRAWING STATUS**

**BID SET**

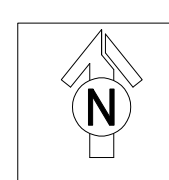
PROJECT NO.:	-
CONTRACT NO.:	0040-461-2
DESIGNED BY:	RK/CC
CHECKED BY:	JG
ISSUE DATE:	2023-03-16
WORKING DATE:	2023-03-01

**REVISION**

SHEET **T101**

**SHEET FOR REFERENCE ONLY**

**TECHNOLOGY SITE PLAN - EXTERIOR WIRELESS ACCESS POINTS**



SCALE: 1"=20'

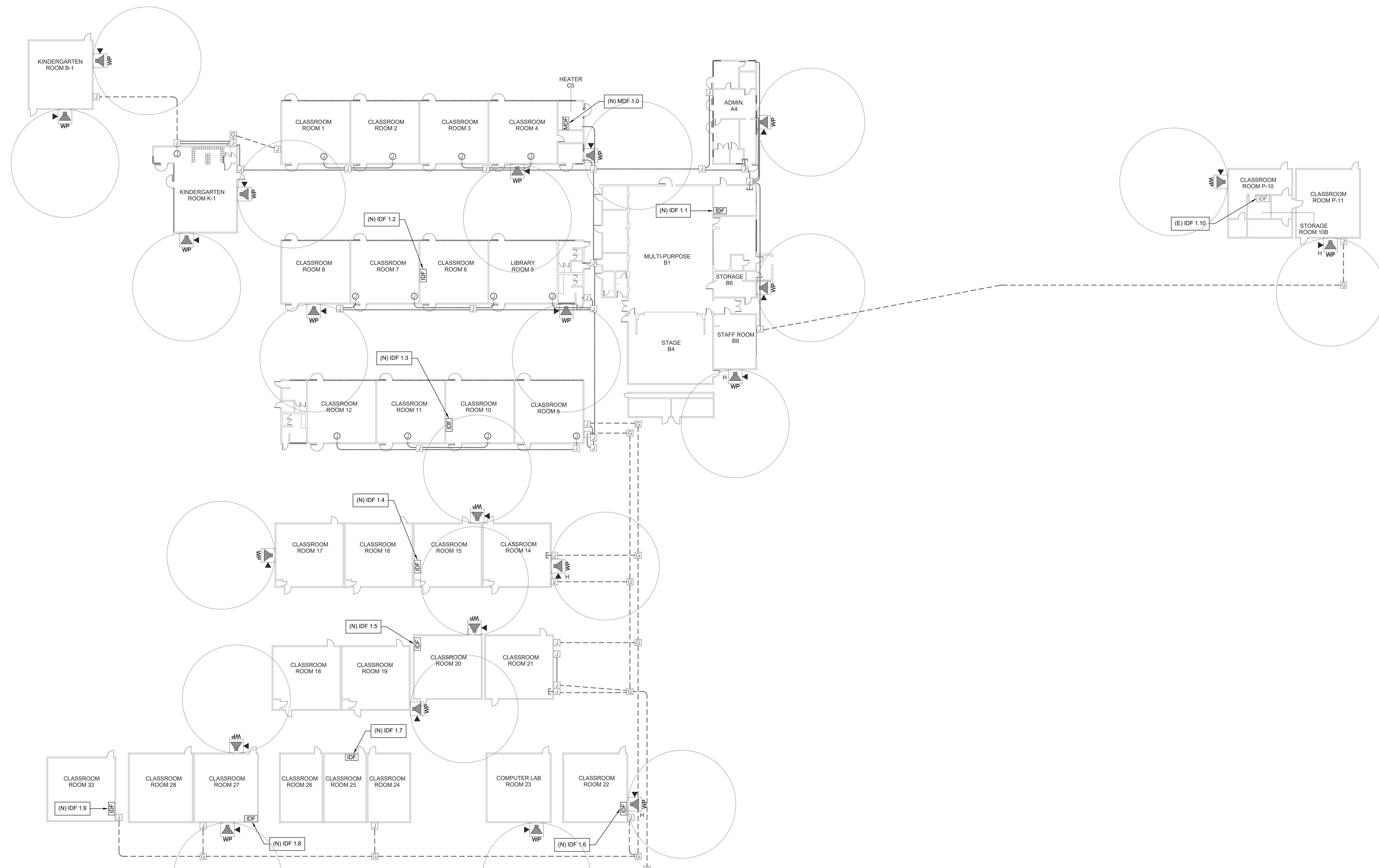


Logi Name: good  
Plot Date: March 20, 2023 - 0:45 PM  
Plot Path: C:\Users\good\OneDrive\Documents\Projects\2023\03\01\000 - Site Plan.dwg  
XREFS: XREF: K:\Projects\2023\03\01\000 - Site Plan.dwg - 1; K:\Projects\2023\03\01\000 - Site Plan.dwg - 2



**KMM SERVICES, INC.**  
TECHNOLOGY & FIRE LIFE SAFETY

5433 El Camino Ave. Suite 5  
Carmichael, CA 95608  
Office: (916) 359-4000 www.kmm-services.com



Copyright © 2023  
These drawings and specifications and the ideas, designs and arrangements represented thereby are and shall remain the property of KMM Services, Inc. and no part thereof shall be copied, disclosed to others, or used in connection with any other work or project other than the specific project for which they have been prepared and developed without the written consent of KMM Services, Inc. Visual contact with these drawings or specifications shall constitute conclusive evidence of these restrictions.

IF DRAWING IS NOT 30"x42" IT IS A REDUCED PRINT

**SHEET REVISIONS**

DELTA	DESCRIPTION	DATE

**SITE KEY PLAN**

PROJECT  
**SACRAMENTO CITY USD  
CLAYTON B. WIRE ES  
TECHNOLOGY NETWORK  
INFRA. UPGRADE**  
5100 EL PASO AVE.  
SACRAMENTO, CA. 95824

SHEET TITLE  
**TECHNOLOGY  
SITE PLAN  
- EXTERIOR  
INTERCOM SPEAKERS**

DRAWING STATUS  
**BID SET**

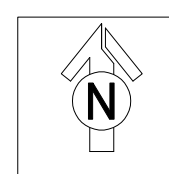
PROJECT NO.:	-
CONTRACT NO.:	0040-461-2
DESIGNED BY:	RK/CC
CHECKED BY:	JG
ISSUE DATE:	2023-03-16
WORKING DATE:	2023-03-01

REVISION

SHEET **T102**

# SHEET FOR REFERENCE ONLY

## TECHNOLOGY SITE PLAN - EXTERIOR INTERCOM SPEAKERS



SCALE: 1"=20'



Logix Name: good  
Plot Date: March 20, 2023 - 0:01 PM  
Plot Path: C:\Users\good\OneDrive\Documents\Projects\5100 El Paso Ave\5100 El Paso Ave.dwg  
User: good



KMM SERVICES, INC  
TECHNOLOGY & FIRE LIFE SAFETY

5433 El Camino Ave. Suite 5  
Carmichael, CA 95608  
Office: (916) 359-4000 www.kmm.com



RONNY KRISTOF

REG# 123124

Reg. No. 163629

### GENERAL NOTES:

- NO STRUCTURAL BEAMS SHALL BE PENETRATED OR ALTERED.
- PROVIDE APPROPRIATE WM5500 TO WM2300 FITTINGS TO EXIT WM5500 TO TRANSITION DOWN TO DROP LOCATIONS.
- RELOCATE EXISTING INTRUSION DEVICES UP OR DOWN TO ALLOW NEW RACEWAY TO BE INSTALLED. VERIFY THAT THE RELOCATED DEVICE IS NOT CAUSING A FAULT ON THE ALARM PANEL PRIOR TO LEAVING THE SITE.
- ALL (N) IDF'S SHALL HAVE A DEDICATED QUAD ELECTRICAL OUTLET INSTALLED INSIDE THE IDF CABINET, ON HINGE SIDE APPROX. 12" FROM BOTTOM OF CABINET.
- NEW DATA DROPS INSTALLED WILL REQUIRE WM2300 INSTALLED TO EACH LOCATION.

### BID ALTERNATE SHEET NOTES:

- A1 EXTEND (E) ELECTRICAL WITHIN 12" OF (N) DATA DROP.  
A2 EXTEND (E) ELECTRICAL CURRENTLY AT APPROX. 92" DOWN TO WITHIN 12" OF (N) DATA DROP.

### SHEET NOTES:

- 2 EA. 2" STUBS INTO WM5500 ENTRANCE END FITTING.
- WM5500 HIGH ON WALL. NOTCH BASE OF RACEWAY TO CROSS OVER SINGLE CHANNEL RACEWAY. PROVIDE FITTINGS AS REQUIRED TO TRANSITION UP, DOWN OR IN CORNERS.
- PROVIDE APPROPRIATE WM5500 TO WM2300 FITTINGS TO EXIT WM5500 TO TRANSITION DOWN TO DROP LOCATIONS.
- WM5500 INSTALLED ON FACIA BOARD. SEE DETAIL 1/7801 FOR REQUIRED WM5500 / WM2300 FITTINGS.
- INSTALL SOLID PLYWOOD PIECES CUT TO SIZE OF WM5500 TO SPACE OUT RACEWAY EQUAL TO EXISTING WALL PANELS.
- WM5500 HIGH ON WALL TO TRANSITION TO WM5500 MOUNED ON THE CEILING.
- WM5500 MOUNED ON CEILING.
- 2 EA. 2" STUBS FROM WM5500 ENTRANCE END FITTING TO ABOVE CEILING ENVIRONMENT.
- J-HOOKS ABOVE CEILING TO ROUTE ALL CABLES.
- 2 EA. 2" STUBS BETWEEN ROOMS ABOVE CEILING.
- 2 EA. 2" STUBS TO ABOVE CEILING AREA.
- 2 EA. 2" FLEX CONDUITS BETWEEN CLASSROOMS.
- SURFACE BACK BOX AND SMALL RACEWAY. REPLACE RACEWAY WITH WM2300.
- WM5400 USED FOR FIRE ALARM CIRCUITS.
- EXTEND (E) WM5400 WITH NEW WM5400.
- WM2300. PROVIDE APPROPRIATE WM5500 TO WM2300 FITTINGS TO EXIT WM5500 TO TRANSITION DOWN TO DROP LOCATIONS.
- REMOVE (E) 2 EA. CAT3 CABLES FROM CONDUIT.
- REMOVE PROJECTOR POWER AND CONDUIT.
- CCTV CAMERA. REWORK EXISTING CONDUIT STUB FLUSH WITH INTERIOR WALL IF APPLICABLE. INSTALL (N) SINGLE GANG BACK BOX WITH BLANK COVER ON THE INTERIOR SIDE. REPLACE DATA CABLE WITH NEW CAT6A.
- CCTV CAMERA. SEE DETAILS FOR PENETRATION AND MOUNTING DETAILS.
- EXTERIOR INTERCOM SPEAKER. USE EXISTING BACK BOX. REPLACE WITH THE SPEAKER. REPLACE SPEAKER CABLE AND TERMINATE AT MDF PER DETAIL.
- EXTERIOR INTERCOM SPEAKER.
- EXTERIOR WIRELESS ACCESS POINT. DISTRICT TO FURNISH BRACKET AND ACCESS POINT FOR CONTRACTOR TO INSTALL. CONTRACTOR TO INSTALL PENETRATION STUB THROUGH WALL. EXTERIOR BACK BOX / CAT6A JACK PER DETAILS.
- REMOVE (E) CLOCK AND INSTALL NEW IP CLOCK/SPEAKER COMBO UNIT OVER THE (E) CLOCK BACK BOX.
- REMOVE (E) IDF CABINET AND ASSOCIATED ELECTRICAL / LOW VOLTAGE CABLING AFTER NEW WING IDF IS ESTABLISHED AND CONFIRMED OPERATIONAL.
- EXTERIOR INTERCOM HORN.
- DATA DROPS FOR FIRE ALARM PANEL. RED JACKS.
- NEW DATA DROP INSIDE HVAC CONTROLLER CABINET. RELOCATE EXISTING ELECTRICAL TO INSIDE HVAC CONTROLLER CABINET.
- NEW DATA DROP INSIDE INTRUSION CABINET.
- INSTALL IDF ABOVE THE DOOR.
- DROP FOR COUNTER PHONE. INSTALL APPROX. 18" AFF ON BACK SIDE OF COUNTER.
- REMOVE (E) CAMERA AND RETURN TO DISTRICT. REMOVE (E) DATA CABLE.

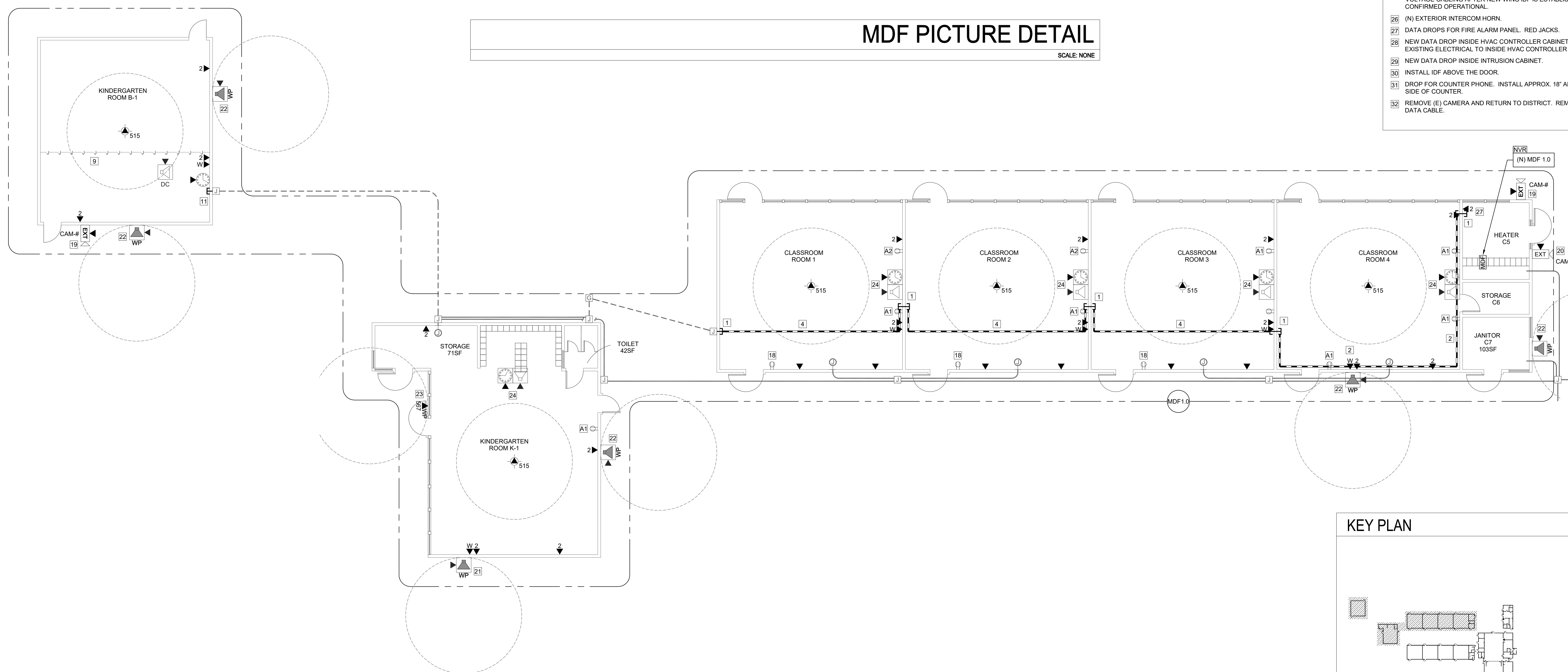
### PICTURE DETAIL NOTES:

- (E) MDF WALL MOUNTED RACK SHALL REMAIN ACTIVE UNTIL (N) MDF RACK FULLY INSTALLED AND COMPONENTS MOUNTED AND POWERED UP.
- AFTER (N) MDF FLOOR MOUNTED RACK INSTALLED, (E) RACKS AND EQUIPMENT SHALL BE REMOVED FROM WALL / FLOOR. CONTRACTOR TO COORDINATE WITH TECHNOLOGY SERVICES TO PICK UP ANY EQUIPMENT / COMPONENTS THE DISTRICT WANTS TO KEEP.
- CONTRACTOR TO REMOVE (E) ANALOG EQUIPMENT FROM WALL TO ALLOW (N) LADDER RACK TO BE INSTALLED.
- IF REQUIRED, CONTRACTOR TO MOVE (E) MDF RACK TEMPORARILY TO ALLOW (N) LADDER RACK TO BE INSTALLED.
- CONTRACTOR TO EXTEND (E) ELECTRICAL CIRCUITS TO A (N) QUAD OUTLET. OUTLET SHALL BE MOUNTED ON SIDE OF LADDER RACK, REAR END OF CABINET.
- AFTER ALL NEW IDF'S ARE INSTALLED AND ACTIVATED, CONTRACTOR TO REMOVE (E) FIBER OPTIC CABLES AND CATEGORY 5/6 CABLES FROM CONDUIT SYSTEM.

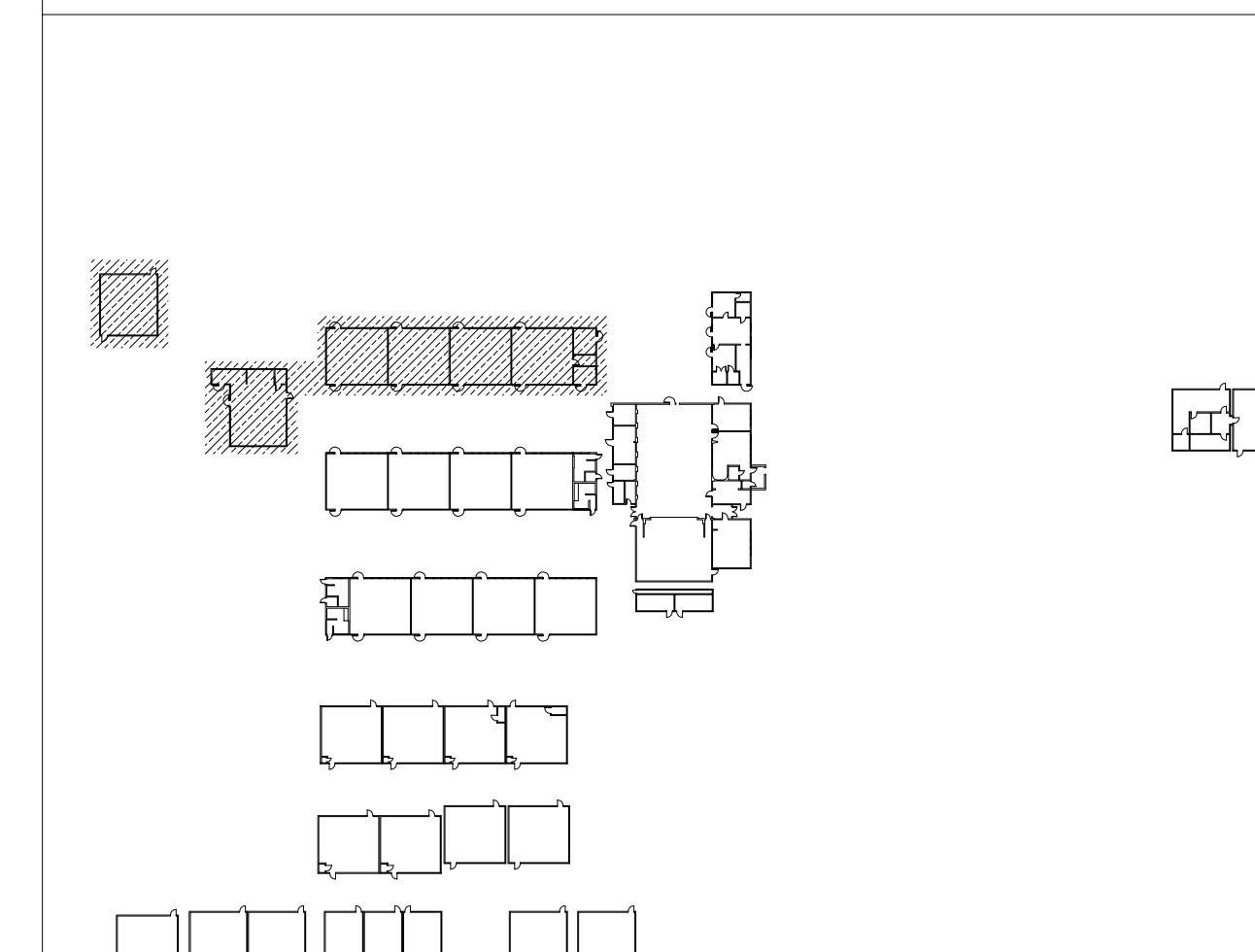


## MDF PICTURE DETAIL

SCALE: NONE

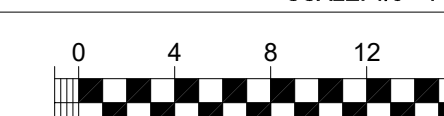


### KEY PLAN



## TECHNOLOGY FLOOR PLAN - MDF 1.0

SCALE: 1/8"=1'



Copyright © 2023

These drawings and specifications and the ideas, designs and arrangements represented thereby are and shall remain the property of KMM Services, Inc. and no part thereof shall be copied, reproduced, or used in connection with any other work or project other than the specific project for which they have been prepared and developed without the written consent of KMM Services, Inc. Visual contact with these drawings or specifications shall constitute conclusive evidence of these restrictions.

IF DRAWING IS NOT 30"x42" IT IS A REDUCED PRINT

### SHEET REVISIONS

DELTA	DESCRIPTION	DATE

### SITE KEY PLAN

PROJECT  
SACRAMENTO CITY USD  
CLAYTON B. WIRE ES  
TECHNOLOGY NETWORK  
INFRA. UPGRADE  
5100 EL PASO AVE.  
SACRAMENTO, CA. 95824

SHEET TITLE  
TECHNOLOGY  
FLOOR PLAN  
- MDF 1.0

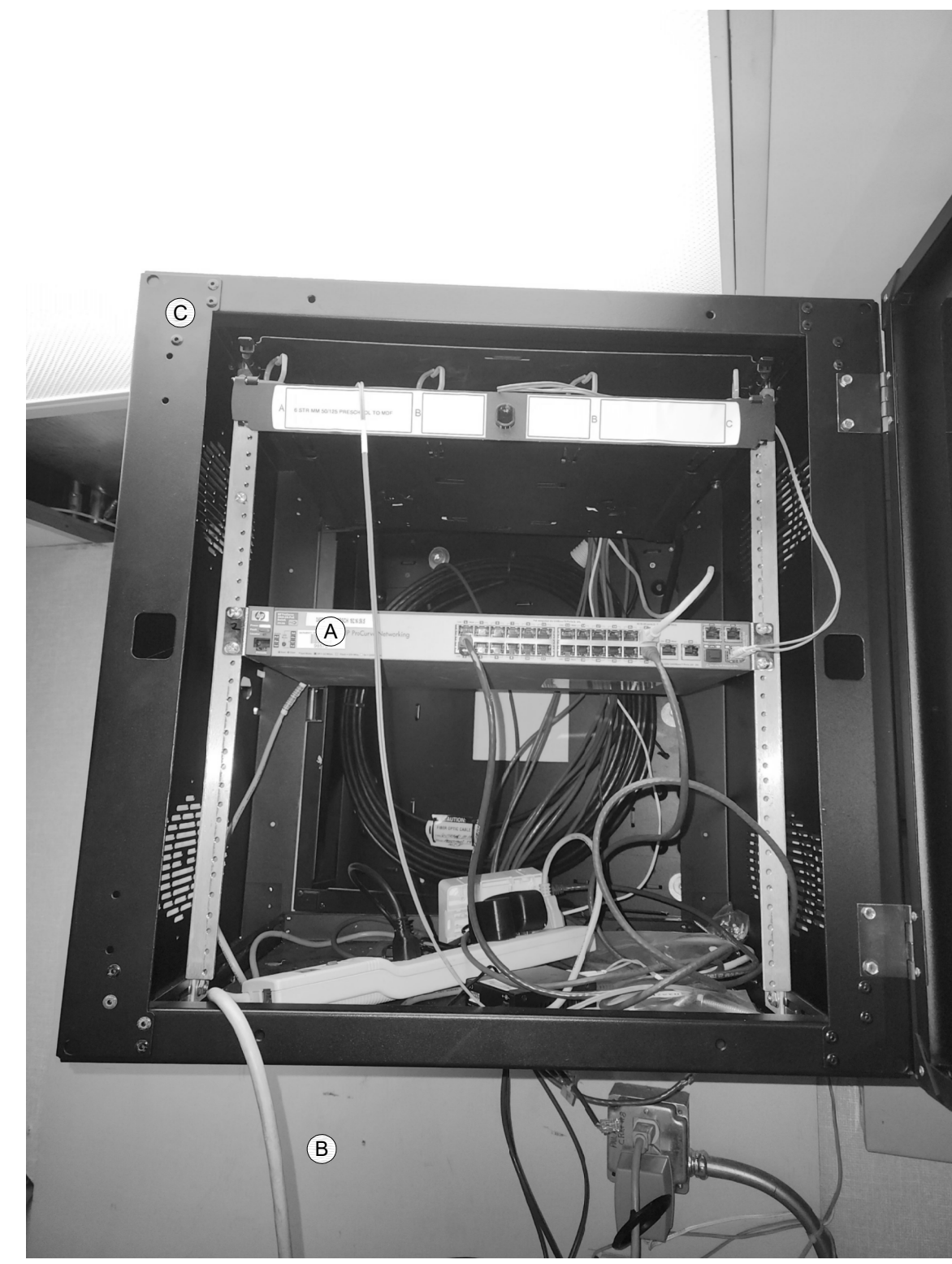
DRAWING STATUS  
BID SET

PROJECT NO.:	-
CONTRACT NO.:	0040-461-2
DESIGNED BY:	RK/CC
CHECKED BY:	JG
ISSUE DATE:	2023-03-16
WORKING DATE:	2023-03-20

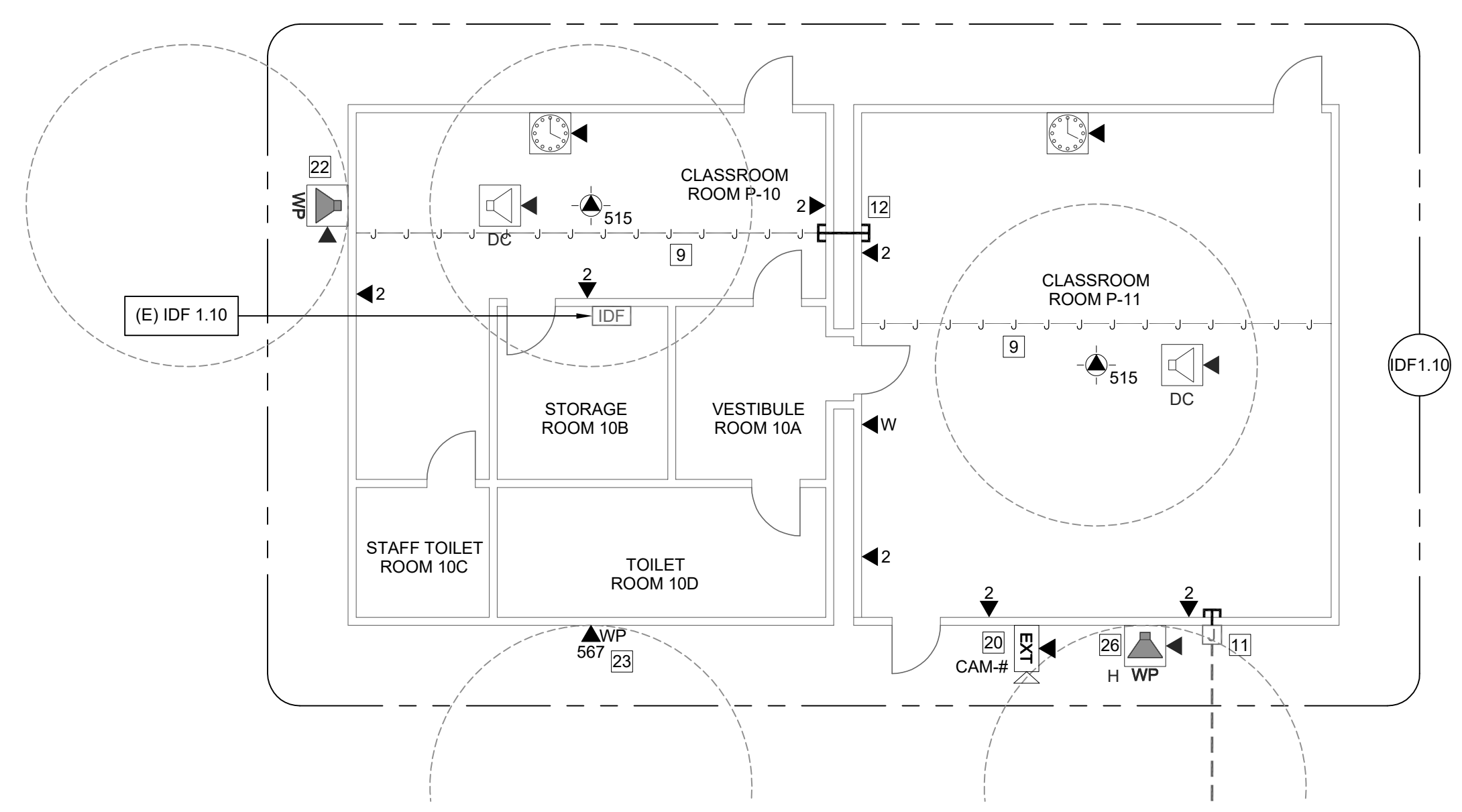
REVISION  
SHEET **T200**

**PICTURE DETAIL NOTES:**

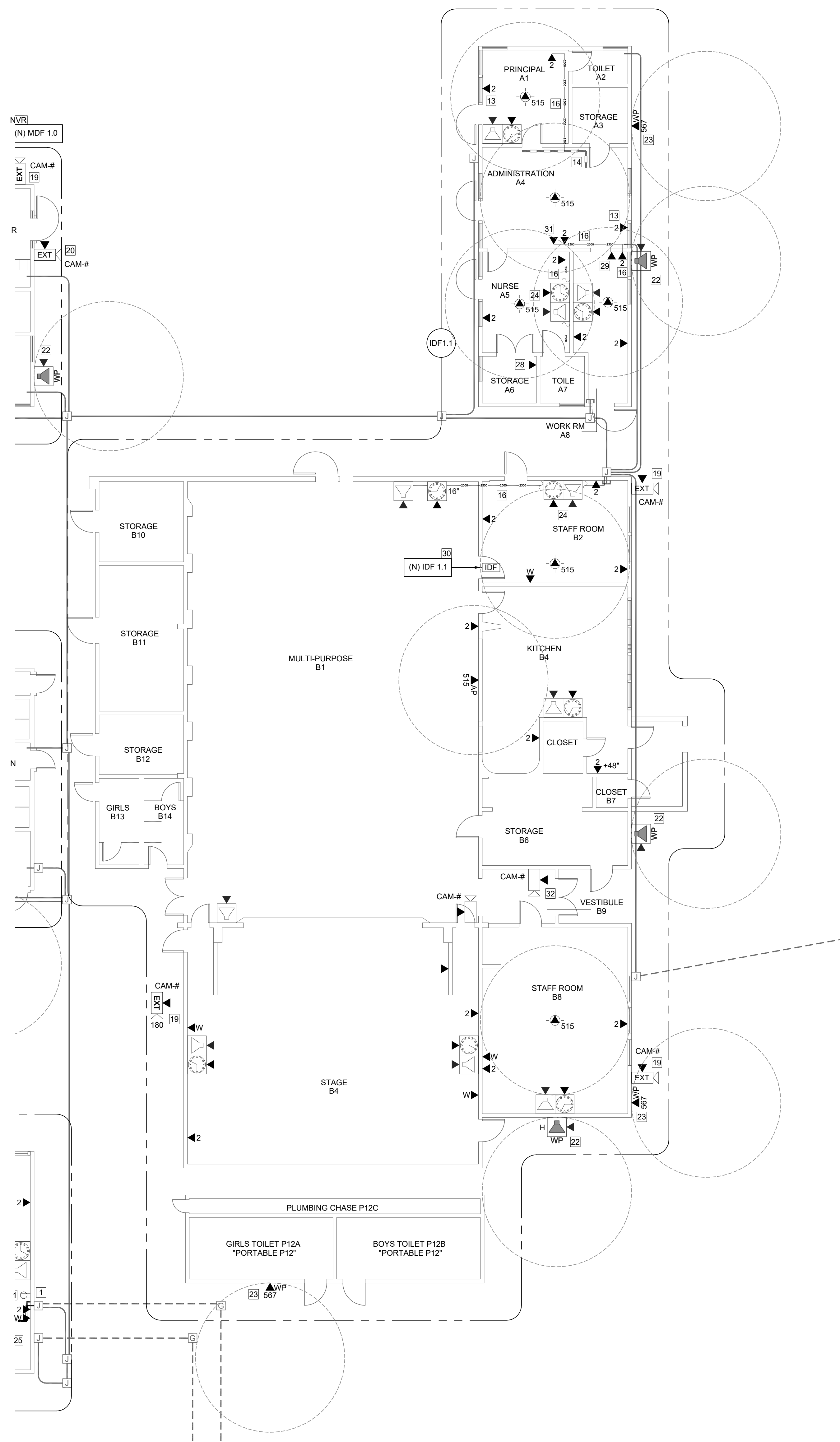
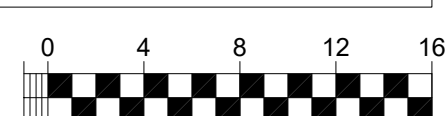
- A KEEP EXISTING NETWORK CONNECTIONS ACTIVE UNTIL CUTOVER TO ALLOW EXISTING EQUIPMENT TO REMAIN ACTIVE.
- B IF REQUIRED, MOUNT THE EXISTING FIBER LIU AND DATE SWITCH BELOW THE CABINET TO ALLOW THE CONNECTION TO STAY ACTIVE.
- C SEE RACK LAYOUT FOR PLACEMENT OF NEW COMPONENTS IN THE IDF.



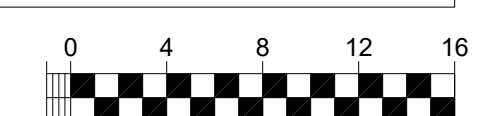
**IDF ROOM 10B PICTURE DETAIL**  
SCALE: NONE



**TECHNOLOGY FLOOR PLAN - IDF 1.10**  
SCALE: 1/8"=1'



**TECHNOLOGY FLOOR PLAN - IDF 1.1**  
SCALE: 1/8"=1'

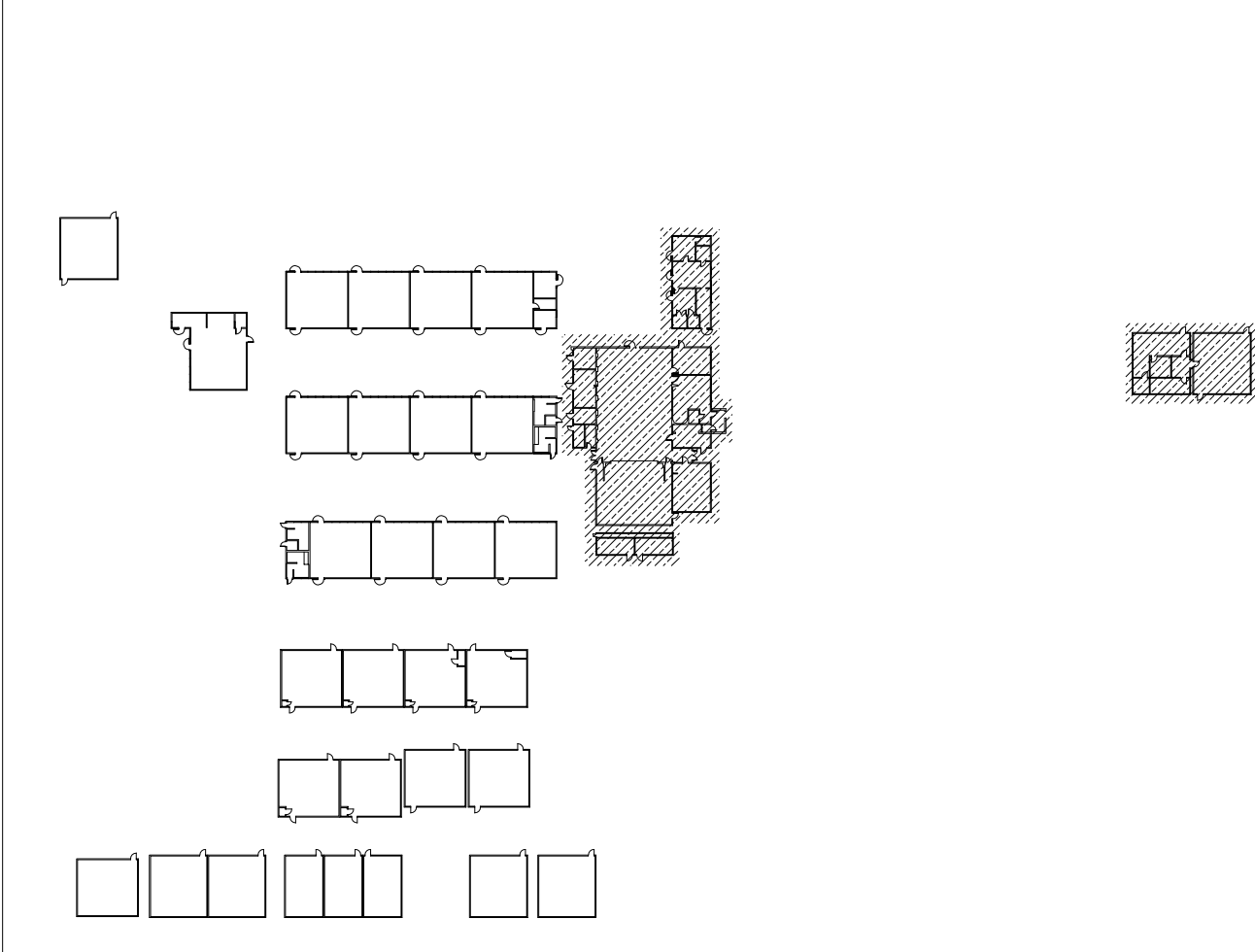


- GENERAL NOTES:**
1. NO STRUCTURAL BEAMS SHALL BE PENETRATED OR ALTERED.
  2. PROVIDE APPROPRIATE WM5500 TO WM2300 FITTINGS TO EXIT WM5500 TO TRANSITION DOWN TO DROP LOCATIONS.
  3. RELOCATE EXISTING INTRUSION DEVICES UP OR DOWN TO ALLOW NEW RACEWAY TO BE INSTALLED. VERIFY THAT THE RELOCATED DEVICE IS NOT CAUSING A FAULT ON THE ALARM PANEL PRIOR TO LEAVING THE SITE.
  4. ALL (N) IDFS SHALL HAVE A DEDICATED QUAD ELECTRICAL OUTLET INSTALLED INSIDE THE IDF CABINET, ON HINGE SIDE APPROX. 12" FROM BOTTOM OF CABINET.
  5. NEW DATA DROPS INSTALLED WILL REQUIRE WM2300 INSTALLED TO EACH LOCATION.

- SHEET NOTES:**
- 1 2 EA. 2" STUBS INTO WM5500 ENTRANCE END FITTING.
  - 2 WM5500 HIGH ON WALL. NOTCH BASE OF RACEWAY TO CROSS OVER SINGLE CHANNEL RACEWAY. PROVIDE FITTINGS AS REQUIRED TO TRANSITION UP, DOWN OR IN CORNERS.
  - 3 PROVIDE APPROPRIATE WM5500 TO WM2300 FITTINGS TO EXIT WM5500 TO TRANSITION DOWN TO DROP LOCATIONS.
  - 4 WM5500 INSTALLED ON FACIA BOARD. SEE DETAIL 1/7801 FOR REQUIRED WM5500 / WM2300 FITTINGS.
  - 5 INSTALL SOLID PLYWOOD PIECES CUT TO SIZE OF WM5500 TO SPACE OUT RACEWAY EQUAL TO EXISTING WALL PANELS.
  - 6 WM5500 HIGH ON WALL TO TRANSITION TO WM5500 MOUNED ON THE CEILING.
  - 7 WM5500 MOUNED ON CEILING.
  - 8 2 EA. 2" STUBS FROM WM5500 ENTRANCE END FITTING TO ABOVE CEILING ENVIRONMENT.
  - 9 J-HOOKS ABOVE CEILING TO ROUTE ALL CABLES.
  - 10 2 EA. 2" STUBS BETWEEN ROOMS ABOVE CEILING.
  - 11 2 EA. 2" STUBS TO ABOVE CEILING AREA.
  - 12 2 EA. 2" FLEX CONDUITS BETWEEN CLASSROOMS.
  - 13 (E) SURFACE BACK BOX AND SMALL RACEWAY. REPLACE RACEWAY WITH WM2300.
  - 14 (E) WM5400 USED FOR FIRE ALARM CIRCUITS.
  - 15 EXTEND (E) WM5400 WITH NEW WM5400.
  - 16 (N) WM2300. PROVIDE APPROPRIATE WM5500 TO WM2300 FITTINGS TO EXIT WM5500 TO TRANSITION DOWN TO DROP LOCATIONS.
  - 17 REMOVE (E) 2 EA. CAT3 CABLES FROM CONDUIT.
  - 18 REMOVE PROJECTOR POWER AND CONDUIT.
  - 19 (E) CCTV CAMERA. REWORK EXISTING CONDUIT STUB FLUSH WITH INTERIOR WALL IF APPLICABLE. INSTALL (N) SINGLE GANG BACK BOX WITH SLANK COVER ON THE INTERIOR SIDE. REPLACE DATA CABLE WITH NEW CAT6A.
  - 20 (N) CCTV CAMERA. SEE DETAILS FOR PENETRATION AND MOUNTING DETAILS.
  - 21 (E) EXTERIOR INTERCOM SPEAKER. USE EXISTING BACK BOX, REPLACE WITH THE SPEAKER. REPLACE SPEAKER CABLE AND TERMINATE AT IDF PER DETAIL.
  - 22 (N) EXTERIOR INTERCOM SPEAKER.
  - 23 (N) EXTERIOR WIRELESS ACCESS POINT. DISTRICT TO FURNISH BRACKET AND ACCESS POINT FOR CONTRACTOR TO INSTALL. CONTRACTOR TO INSTALL PENETRATION STUB THROUGH WALL, EXTERIOR BACK BOX / CAT6A JACK PER DETAILS.
  - 24 REMOVE (E) CLOCK AND INSTALL NEW IP CLOCK/SPEAKER COMBO UNIT OVER THE (E) CLOCK BACK BOX.
  - 25 REMOVE (E) IDF CABINET AND ASSOCIATED ELECTRICAL / LOW VOLTAGE CABLING AFTER NEW WING IDF IS ESTABLISHED AND CONFIRMED OPERATIONAL.
  - 26 (N) EXTERIOR INTERCOM HORN.
  - 27 DATA DROPS FOR FIRE ALARM PANEL. RED JACKS.
  - 28 NEW DATA DROP INSIDE HVAC CONTROLLER CABINET. RELOCATE EXISTING ELECTRICAL TO INSIDE HVAC CONTROLLER CABINET.
  - 29 NEW DATA DROP INSIDE INTRUSION CABINET.
  - 30 INSTALL IDF ABOVE THE DOOR.
  - 31 DROP FOR COUNTER PHONE. INSTALL APPROX. 18" AFF ON BACK SIDE OF COUNTER.
  - 32 REMOVE (E) CAMERA AND RETURN TO DISTRICT. REMOVE (E) DATA CABLE.

- BID ALTERNATE SHEET NOTES:**
- A1 EXTEND (E) ELECTRICAL WITHIN 12" OF (N) DATA DROP.
  - A2 EXTEND (E) ELECTRICAL CURRENTLY AT APPROX. 92" DOWN TO WITHIN 12" OF (N) DATA DROP.

**KEY PLAN**



**KMM SERVICES, INC**  
TECHNOLOGY & FIRE LIFE SAFETY

5433 El Camino Ave. Suite 5  
Carmichael, CA 95608  
Office: (916) 359-4000 www.kmm.com



Copyright © 2023  
These drawings and specifications and the ideas, designs and arrangements represented thereby are and shall remain the property of KMM Services, Inc. and no part thereof shall be copied, disclosed, or used in connection with any other work or project other than the specific project for which they have been prepared and developed without the written consent of KMM Services, Inc. Visual contact with these drawings or specifications shall constitute conclusive evidence of these restrictions.

IF DRAWING IS NOT 30"x42" IT IS A REDUCED PRINT

**SHEET REVISIONS**

DELTA	DESCRIPTION	DATE

**SITE KEY PLAN**

PROJECT  
**SACRAMENTO CITY USD  
CLAYTON B. WIRE ES  
TECHNOLOGY NETWORK  
INFRA. UPGRADE**  
5100 EL PASO AVE.  
SACRAMENTO, CA. 95824

SHEET TITLE  
**TECHNOLOGY  
FLOOR PLANS  
- IDF 1.1 AND 1.10**

DRAWING STATUS  
**BID SET**

PROJECT NO.:	-
CONTRACT NO.:	0040-461-2
DESIGNED BY:	RK/CC
CHECKED BY:	JG
ISSUE DATE:	2023-03-16
WORKING DATE:	2023-03-01
REVISION	

SHEET **T201**

Logix Name: good  
 Plot Date: March 23, 2023 - 9:41 AM  
 Plot Path: \\s01\c01\work\2023\03\23\0941\4040-461-2000\_Floor Plans.dwg  
 User: KMM\kmm\ronny.kaström  
 Plot Device: HP DesignJet T1300



KMM SERVICES, INC  
TECHNOLOGY & FIRE LIFE SAFETY

5433 El Camino Ave. Suite 5  
Carmichael, CA 95608  
Office: (916) 359-4000 www.kmm-services.com



GENERAL NOTES:

- NO STRUCTURAL BEAMS SHALL BE PENETRATED OR ALTERED.
- PROVIDE APPROPRIATE WM5500 TO WM2300 FITTINGS TO EXIT WM5500 TO TRANSITION DOWN TO DROP LOCATIONS.
- RELOCATE EXISTING INTRUSION DEVICES UP OR DOWN TO ALLOW NEW RACEWAY TO BE INSTALLED. VERIFY THAT THE RELOCATED DEVICE IS NOT CAUSING A FAULT ON THE ALARM PANEL PRIOR TO LEAVING THE SITE.
- ALL (N) IDFS SHALL HAVE A DEDICATED QUAD ELECTRICAL OUTLET INSTALLED INSIDE THE IDF CABINET, ON HINGE SIDE APPROX. 12" FROM BOTTOM OF CABINET.
- NEW DATA DROPS INSTALLED WILL REQUIRE WM2300 INSTALLED TO EACH LOCATION.

SHEET NOTES:

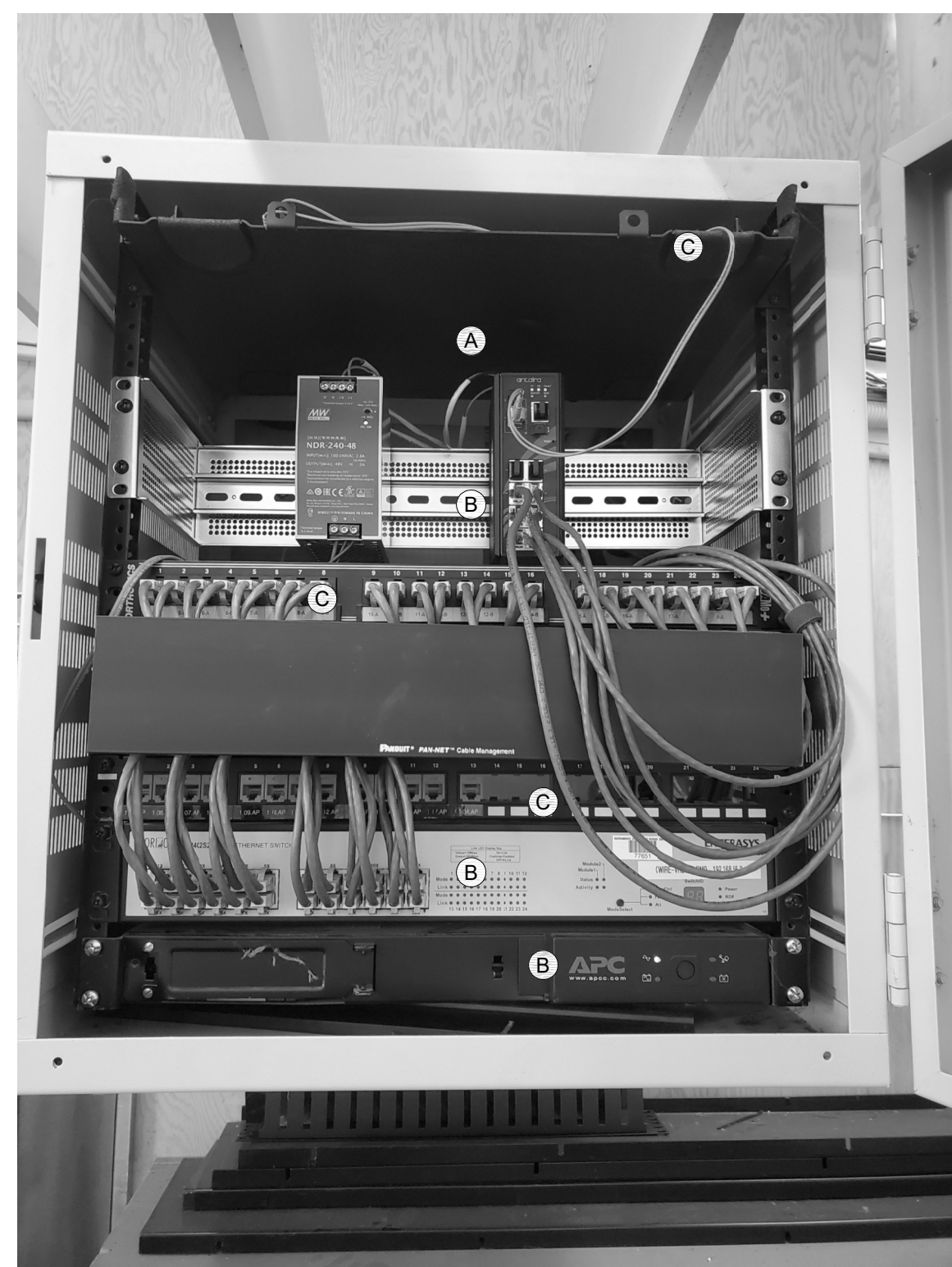
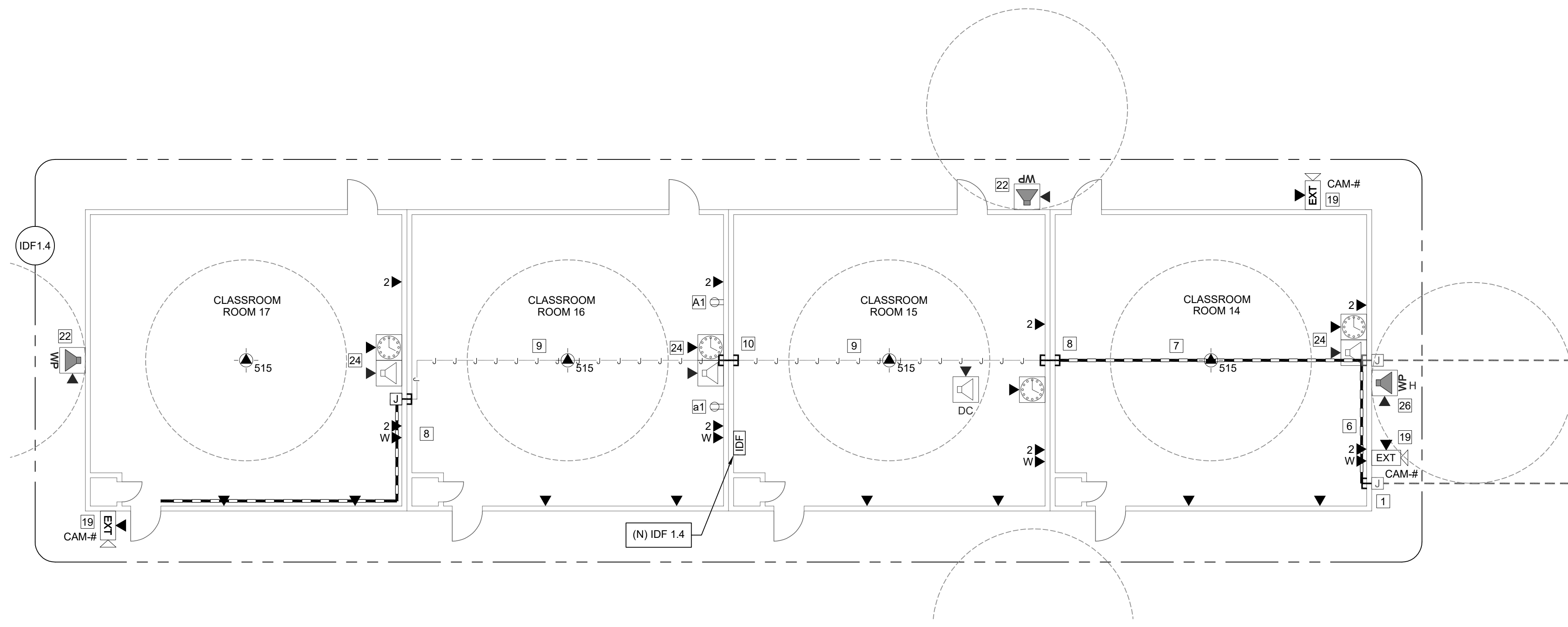
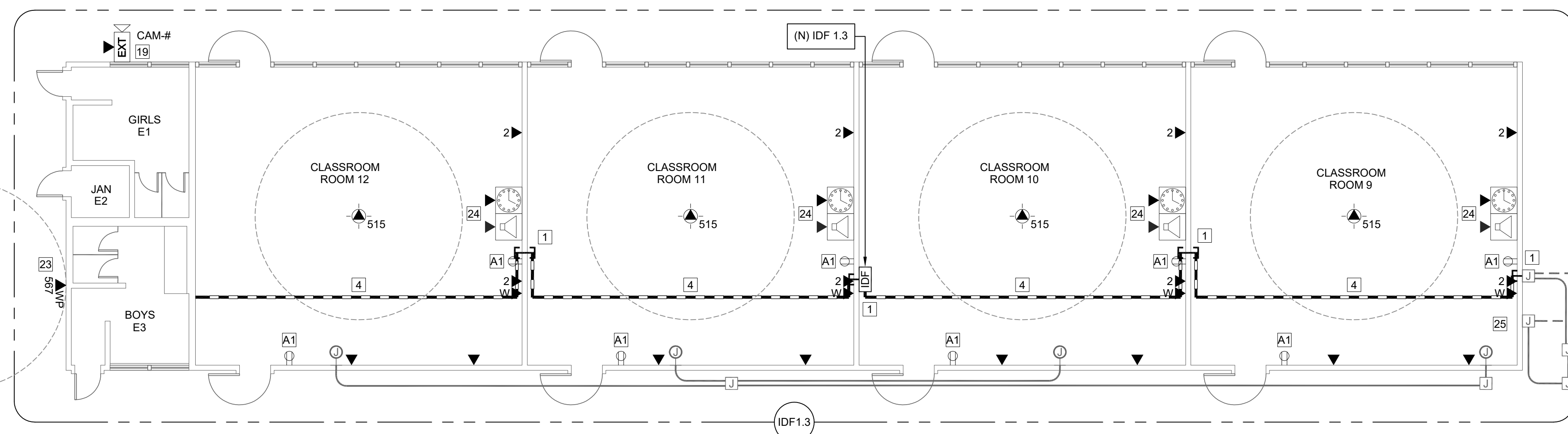
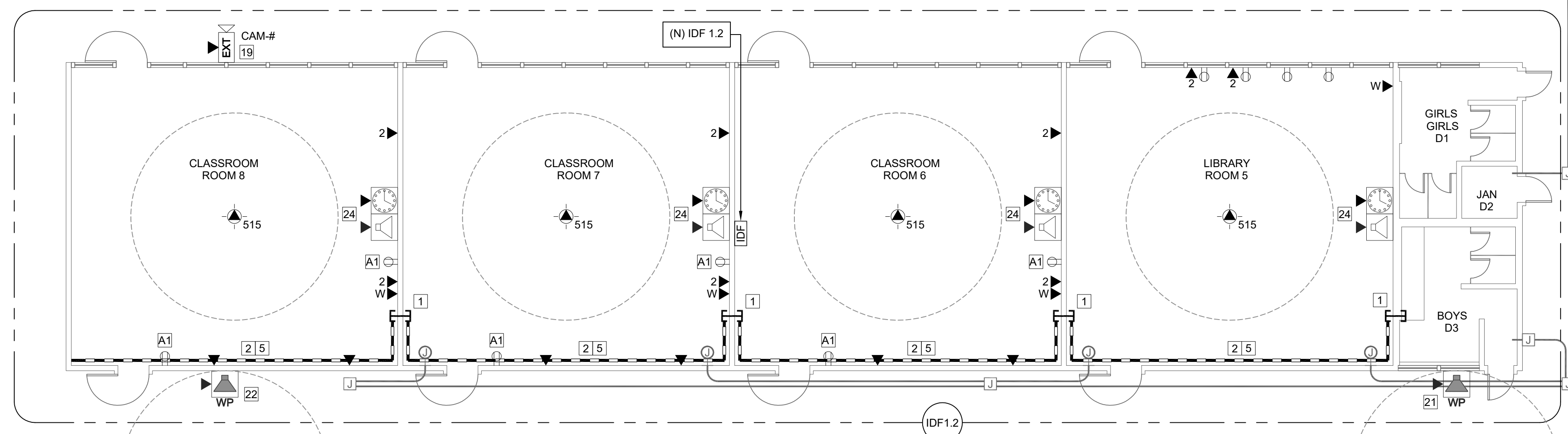
- 2 EA. 2" STUBS INTO WM5500 ENTRANCE END FITTING.
- WM5500 HIGH ON WALL. NOTCH BASE OF RACEWAY TO CROSS OVER SINGLE CHANNEL RACEWAY. PROVIDE FITTINGS AS REQUIRED TO TRANSITION UP, DOWN OR IN CORNERS.
- PROVIDE APPROPRIATE WM5500 TO WM2300 FITTINGS TO EXIT WM5500 TO TRANSITION DOWN TO DROP LOCATIONS.
- WM5500 INSTALLED ON FACIA BOARD. SEE DETAIL 1/7801 FOR REQUIRED WM5500 / WM2300 FITTINGS.
- INSTALL SOLID PLYWOOD PIECES CUT TO SIZE OF WM5500 TO SPACE OUT RACEWAY EQUAL TO EXISTING WALL PANELS.
- WM5500 HIGH ON WALL TO TRANSITION TO WM5500 MOUNDED ON THE CEILING.
- WM5500 MOUNDED ON CEILING.
- 2 EA. 2" STUBS FROM WM5500 ENTRANCE END FITTING TO ABOVE CEILING ENVIRONMENT.
- J-HOOKS ABOVE CEILING TO ROUTE ALL CABLES.
- 2 EA. 2" STUBS BETWEEN ROOMS ABOVE CEILING.
- 2 EA. 2" STUBS TO ABOVE CEILING AREA.
- 2 EA. 2" FLEX CONDUITS BETWEEN CLASSROOMS.
- (E) SURFACE BACK BOX AND SMALL RACEWAY. REPLACE RACEWAY WITH WM2300.
- (E) WM5400 USED FOR FIRE ALARM CIRCUITS.
- EXTEND (E) WM5400 WITH NEW WM5400.
- (N) WM2300. PROVIDE APPROPRIATE WM5500 TO WM2300 FITTINGS TO EXIT WM5500 TO TRANSITION DOWN TO DROP LOCATIONS.
- REMOVE (E) 2 EA. CAT3 CABLES FROM CONDUIT.
- REMOVE PROJECTOR POWER AND CONDUIT.
- (E) CCTV CAMERA. REWORK EXISTING CONDUIT STUB FLUSH WITH INTERIOR WALL IF APPLICABLE. INSTALL (N) SINGLE GANG BACK BOX WITH SLANK COVER ON THE INTERIOR SIDE. REPLACE DATA CABLE WITH NEW CAT6A.
- (N) CCTV CAMERA. SEE DETAILS FOR PENETRATION AND MOUNTING DETAILS.
- (E) EXTERIOR INTERCOM SPEAKER. USE EXISTING BACK BOX. REPLACE WITH THE SPEAKER. REPLACE SPEAKER CABLE AND TERMINATE AT IDF PER DETAIL.
- (N) EXTERIOR INTERCOM SPEAKER.
- (N) EXTERIOR WIRELESS ACCESS POINT. DISTRICT TO FURNISH BRACKET AND ACCESS POINT FOR CONTRACTOR TO INSTALL. CONTRACTOR TO INSTALL PENETRATION STUB THROUGH WALL. EXTERIOR BACK BOX / CAT6A JACK PER DETAILS.
- REMOVE (E) CLOCK AND INSTALL NEW IP CLOCK/SPEAKER COMBO UNIT. OVER THE (E) CLOCK BACK BOX.
- REMOVE (E) IDF CABINET AND ASSOCIATED ELECTRICAL / LOW VOLTAGE CABLING AFTER NEW WING IDF IS ESTABLISHED AND CONFIRMED OPERATIONAL.
- (N) EXTERIOR INTERCOM HORN.
- DATA DROPS FOR FIRE ALARM PANEL. RED JACKS.
- NEW DATA DROP INSIDE HVAC CONTROLLER CABINET. RELOCATE EXISTING ELECTRICAL TO INSIDE HVAC CONTROLLER CABINET.
- NEW DATA DROP INSIDE INTRUSION CABINET.
- INSTALL IDF ABOVE THE DOOR.
- DROP FOR COUNTER PHONE. INSTALL APPROX. 18" AFF ON BACK SIDE OF COUNTER.
- REMOVE (E) CAMERA AND RETURN TO DISTRICT. REMOVE (E) DATA CABLE.

BID ALTERNATE SHEET NOTES:

- A1 EXTEND (E) ELECTRICAL WITHIN 12" OF (N) DATA DROP.
- A2 EXTEND (E) ELECTRICAL CURRENTLY AT APPROX. 92" DOWN TO WITHIN 12" OF (N) DATA DROP.

PICTURE DETAIL NOTES:

- (E) IDF WALL MOUNTED CABINET SHALL REMAIN ACTIVE UNTIL (N) IDF 1.3 IN ROOM 10 IS FULLY INSTALLED, COMPONENTS MOUNTED AND POWERED UP.
- AFTER (N) IDF 1.3 IS INSTALLED AND ACTIVATED IN ROOM 10, (E) CABINET AND EQUIPMENT IN IDF ROOM 9 SHALL BE REMOVED FROM WALL. CONTRACTOR TO COORDINATE WITH TECHNOLOGY SERVICES TO PICK UP ANY EQUIPMENT / COMPONENTS THE DISTRICT WANTS TO KEEP.
- CONTRACTOR TO REMOVE ALL (E) FIBER AND CATEGORY 56 CABLING FROM WALLS AND CONDUITS.

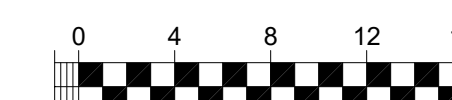


IDF ROOM 9 PICTURE DETAIL

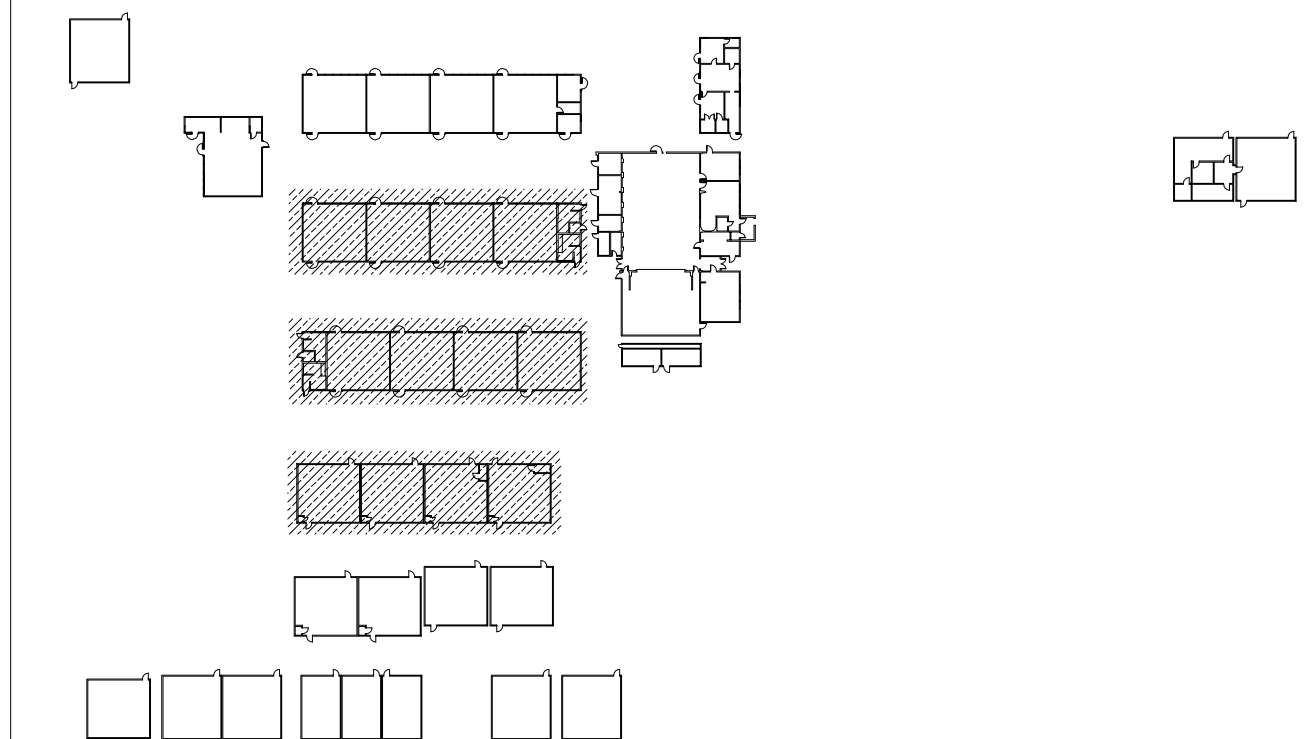
SCALE: NONE

TECHNOLOGY FLOOR PLANS - IDF 1.2, 1.3 AND 1.4

SCALE: 1/8"=1'



KEY PLAN



Copyright © 2023

These drawings and specifications and the ideas, designs and arrangements represented thereby are and shall remain the property of KMM Services, Inc. and no part thereof shall be copied, disclosed, or used in connection with any other work or project other than the specific project for which they have been prepared and developed without the written consent of KMM Services, Inc. Visual contact with these drawings or specifications shall constitute conclusive evidence of these restrictions.

IF DRAWING IS NOT 30"x42" IT IS A REDUCED PRINT

SHEET REVISIONS

DELTA	DESCRIPTION	DATE

SITE KEY PLAN

PROJECT  
SACRAMENTO CITY USD  
CLAYTON B. WIRE ES  
TECHNOLOGY NETWORK  
INFRA. UPGRADE  
5100 EL PASO AVE.  
SACRAMENTO, CA. 95824

SHEET TITLE  
TECHNOLOGY  
FLOOR PLANS  
- IDF 1.2, 1.3 AND 1.4

DRAWING STATUS

BID SET

PROJECT NO:	-
CONTRACT NO:	0040-461-2
DESIGNED BY:	RK/CC
CHECKED BY:	JG
ISSUE DATE:	2023-03-16
WORKING DATE:	2023-03-01

REVISION

SHEET  
**T202**

Logix Name: Good  
Plot Date: March 20, 2023 - 2:41 PM  
Plot Path: \\scc\server\c\projects\2023\03\01\0040-461-2\0040-461-2-Floor Plans\461-2-Technology Network - IDF 1.2, 1.3 and 1.4.dwg  
User: rkaufman

**SHEET NOTES:**

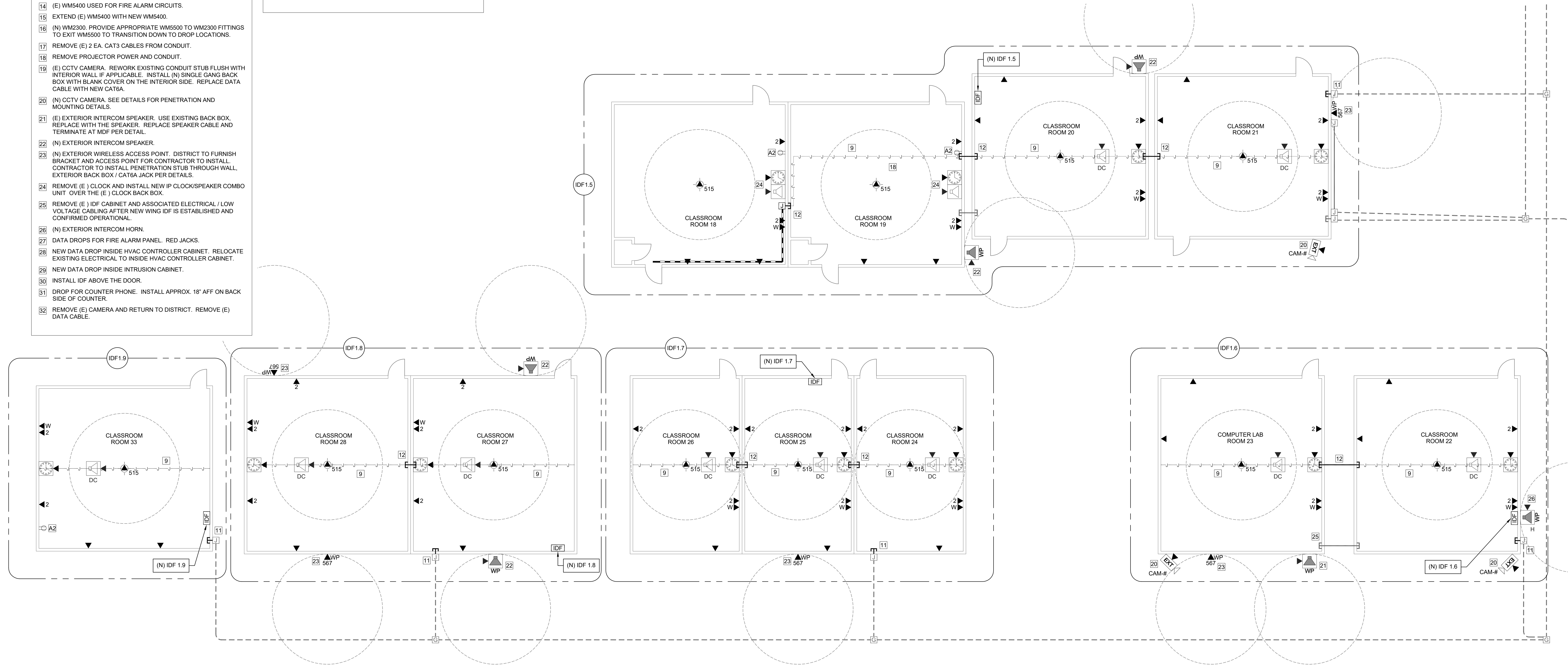
- 1 2 EA. 2" STUBS INTO WM5500 ENTRANCE END FITTING.
- 2 WM5500 HIGH ON WALL. NOTCH BASE OF RACEWAY TO CROSS OVER SINGLE CHANNEL RACEWAY. PROVIDE FITTINGS AS REQUIRED TO TRANSITION UP, DOWN OR IN CORNERS.
- 3 PROVIDE APPROPRIATE WM5500 TO WM2300 FITTINGS TO EXIT WM5500 TO TRANSITION DOWN TO DROP LOCATIONS.
- 4 WM5500 INSTALLED ON FACIA BOARD. SEE DETAIL 1/7801 FOR REQUIRED WM5500 / WM2300 FITTINGS.
- 5 INSTALL SOLID PLYWOOD PIECES CUT TO SIZE OF WM5500 TO SPACE OUT RACEWAY EQUAL TO EXISTING WALL PANELS.
- 6 WM5500 HIGH ON WALL TO TRANSITION TO WM5500 MOUNED ON THE CEILING.
- 7 WM5500 MOUNTED ON CEILING.
- 8 2 EA. 2" STUBS FROM WM5500 ENTRANCE END FITTING TO ABOVE CEILING ENVIRONMENT.
- 9 J-HOOKS ABOVE CEILING TO ROUTE ALL CABLES.
- 10 2 EA. 2" STUBS BETWEEN ROOMS ABOVE CEILING.
- 11 2 EA. 2" STUBS TO ABOVE CEILING AREA.
- 12 2 EA. 2" FLEX CONDUITS BETWEEN CLASSROOMS.
- 13 (E) SURFACE BACK BOX AND SMALL RACEWAY. REPLACE RACEWAY WITH WM2300.
- 14 (E) WM5400 USED FOR FIRE ALARM CIRCUITS.
- 15 EXTEND (E) WM5400 WITH NEW WM5400.
- 16 (N) WM2300. PROVIDE APPROPRIATE WM5500 TO WM2300 FITTINGS TO EXIT WM5500 TO TRANSITION DOWN TO DROP LOCATIONS.
- 17 REMOVE (E) 2 EA. CAT3 CABLES FROM CONDUIT.
- 18 REMOVE PROJECTOR POWER AND CONDUIT.
- 19 (E) CCTV CAMERA. REWORK EXISTING CONDUIT STUB FLUSH WITH INTERIOR WALL IF APPLICABLE. INSTALL (N) SINGLE GANG BACK BOX WITH BLANK COVER ON THE INTERIOR SIDE. REPLACE DATA CABLE WITH NEW CAT6A.
- 20 (N) CCTV CAMERA. SEE DETAILS FOR PENETRATION AND MOUNTING DETAILS.
- 21 (E) EXTERIOR INTERCOM SPEAKER. USE EXISTING BACK BOX. REPLACE WITH THE SPEAKER. REPLACE SPEAKER CABLE AND TERMINATE AT IDF PER DETAIL.
- 22 (N) EXTERIOR INTERCOM SPEAKER.
- 23 (N) EXTERIOR WIRELESS ACCESS POINT. DISTRICT TO FURNISH BRACKET AND ACCESS POINT FOR CONTRACTOR TO INSTALL. CONTRACTOR TO INSTALL PENETRATION STUB THROUGH WALL. EXTERIOR BACK BOX / CAT6A JACK PER DETAILS.
- 24 REMOVE (E) CLOCK AND INSTALL NEW IP CLOCK/SPEAKER COMBO UNIT OVER THE (E) CLOCK BACK BOX.
- 25 REMOVE (E) IDF CABINET AND ASSOCIATED ELECTRICAL / LOW VOLTAGE CABLING AFTER NEW WING IDF IS ESTABLISHED AND CONFIRMED OPERATIONAL.
- 26 (N) EXTERIOR INTERCOM HORN.
- 27 DATA DROPS FOR FIRE ALARM PANEL. RED JACKS.
- 28 NEW DATA DROP INSIDE HVAC CONTROLLER CABINET. RELOCATE EXISTING ELECTRICAL TO INSIDE HVAC CONTROLLER CABINET.
- 29 NEW DATA DROP INSIDE INTRUSION CABINET.
- 30 INSTALL IDF ABOVE THE DOOR.
- 31 DROP FOR COUNTER PHONE. INSTALL APPROX. 18" AFF ON BACK SIDE OF COUNTER.
- 32 REMOVE (E) CAMERA AND RETURN TO DISTRICT. REMOVE (E) DATA CABLE.

**GENERAL NOTES:**

1. NO STRUCTURAL BEAMS SHALL BE PENETRATED OR ALTERED.
2. PROVIDE APPROPRIATE WM5500 TO WM2300 FITTINGS TO EXIT WM5500 TO TRANSITION DOWN TO DROP LOCATIONS.
3. RELOCATE EXISTING INTRUSION DEVICES UP OR DOWN TO ALLOW NEW RACEWAY TO BE INSTALLED. VERIFY THAT THE RELOCATED DEVICE IS NOT CAUSING A FAULT ON THE ALARM PANEL PRIOR TO LEAVING THE SITE.
4. ALL (N) IDFS SHALL HAVE A DEDICATED QUAD ELECTRICAL OUTLET INSTALLED INSIDE THE IDF CABINET, ON HINGE SIDE APPROX. 12" FROM BOTTOM OF CABINET.
5. NEW DATA DROPS INSTALLED WILL REQUIRE WM2300 INSTALLED TO EACH LOCATION.

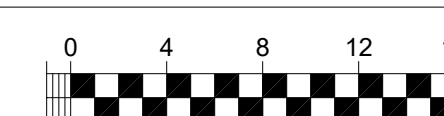
**BID ALTERNATE SHEET NOTES:**

- A1 EXTEND (E) ELECTRICAL WITHIN 12" OF (N) DATA DROP.
- A2 EXTEND (E) ELECTRICAL CURRENTLY AT APPROX. 92" DOWN TO WITHIN 12" OF (N) DATA DROP.

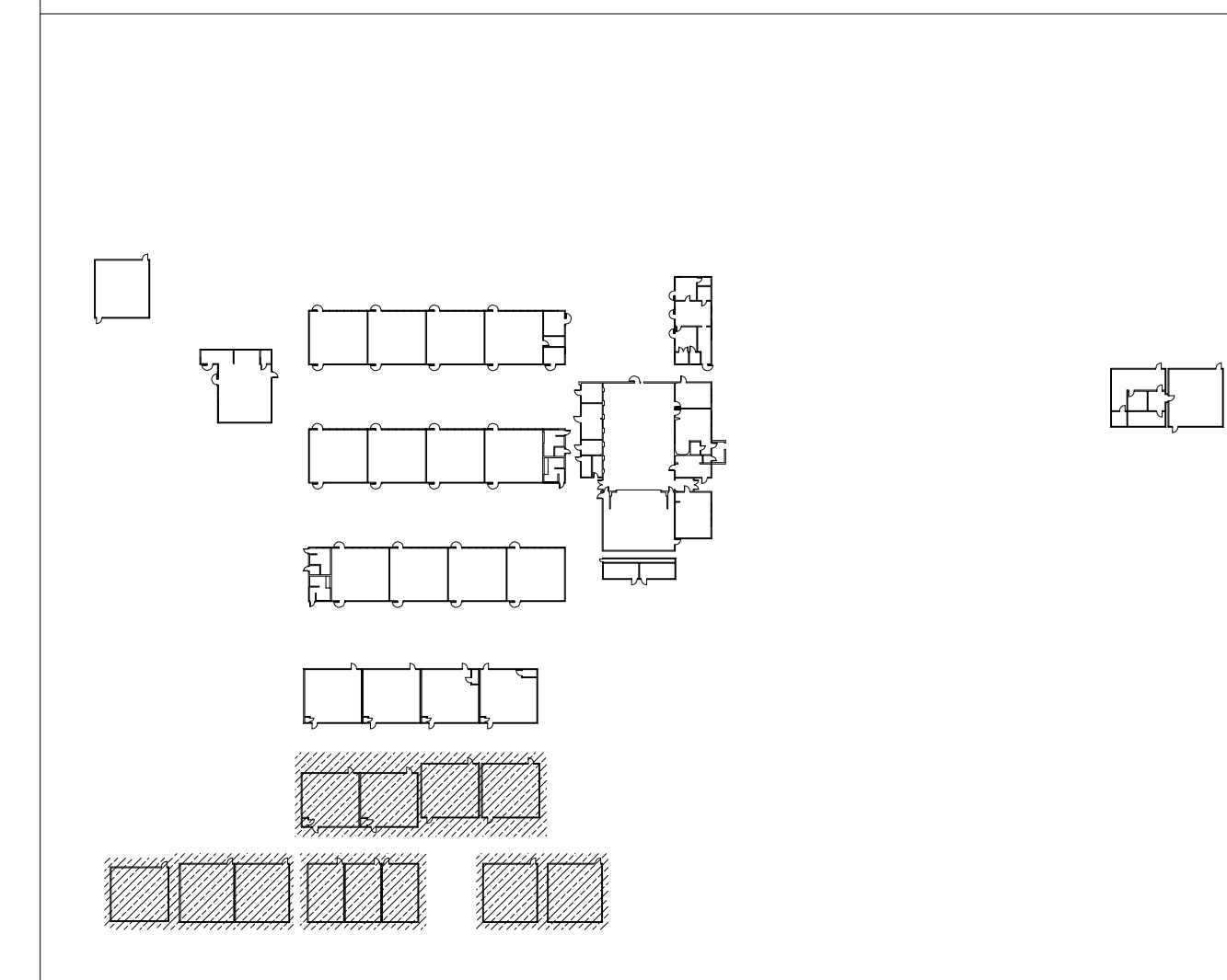


**TECHNOLOGY FLOOR PLANS - IDF 1.5, 1.6, 1.7, 1.8 AND 1.9**

SCALE: 1/8"=1'



**KEY PLAN**



**KMM SERVICES, INC**  
TECHNOLOGY & FIRE LIFE SAFETY

5433 El Camino Ave. Suite 5  
Carmichael, CA 95608  
Office: (916) 359-4000 www.kmm.com



Copyright © 2023

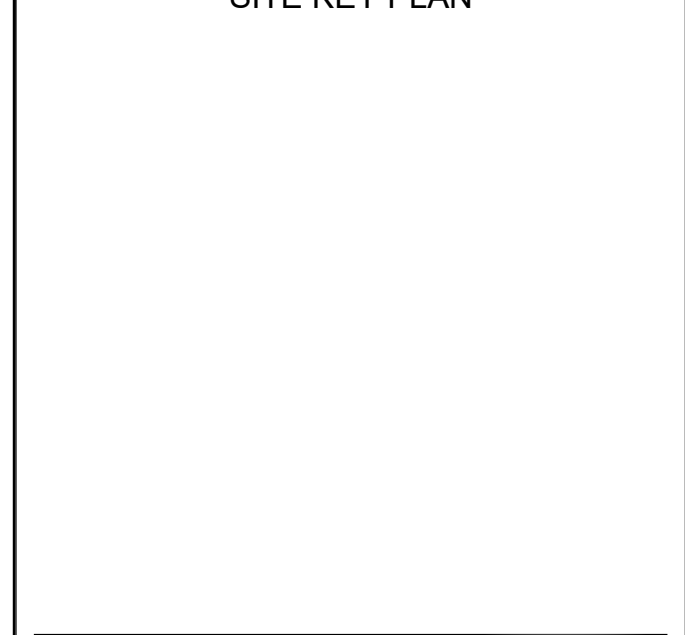
These drawings and specifications and the ideas, designs and arrangements represented thereby are and shall remain the property of KMM Services, Inc. and no part thereof shall be copied, disclosed, or used in connection with any other work or project other than the specific project for which they have been prepared and developed without the written consent of KMM Services, Inc. Visual contact with these drawings or specifications shall constitute conclusive evidence of these restrictions.

IF DRAWING IS NOT 30"x42" IT IS A REDUCED PRINT

**SHEET REVISIONS**

DELTA	DESCRIPTION	DATE

**SITE KEY PLAN**



PROJECT  
**SACRAMENTO CITY USD  
CLAYTON B. WIRE ES  
TECHNOLOGY NETWORK  
INFRA. UPGRADE**  
5100 EL PASO AVE.  
SACRAMENTO, CA. 95824

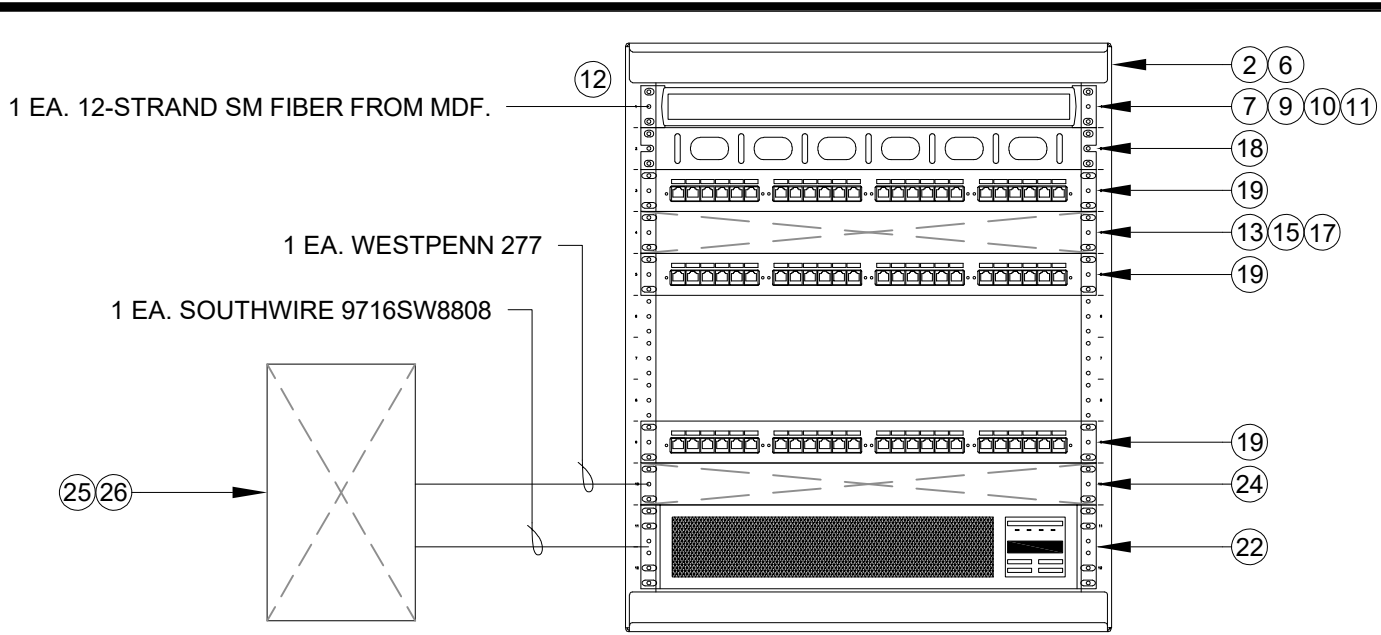
SHEET TITLE  
**TECHNOLOGY  
FLOOR PLANS  
- IDF 1.5, 1.6, 1.7,  
1.8 AND 1.9**

DRAWING STATUS  
**BID SET**

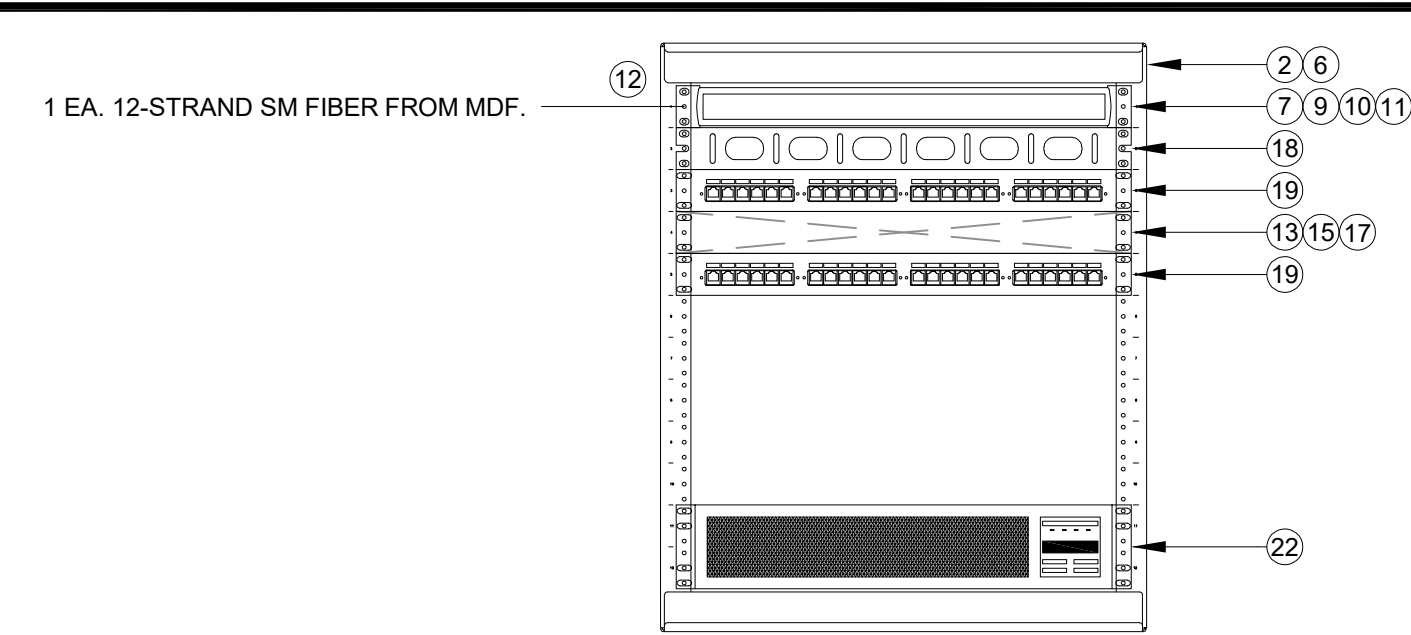
PROJECT NO.:	-
CONTRACT NO.:	0040-461-2
DESIGNED BY:	RK/CC
CHECKED BY:	JG
ISSUE DATE:	2023-03-16
WORKING DATE:	2023-03-01
REVISION	

SHEET  
**T203**





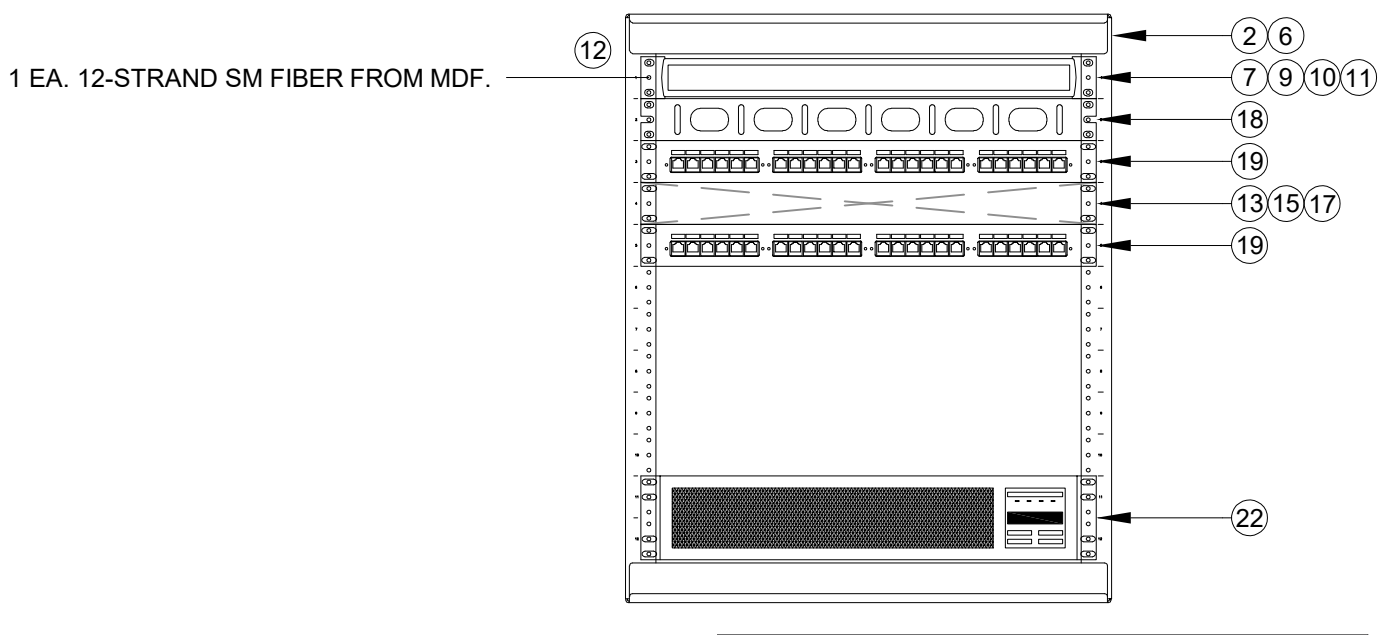
IDF 1.10		
Name	#	Switch Ports
Exterior Cameras	1	1
Exterior Speakers	2	2
Exterior APs	1	2
Interior Speakers	2	2
Interior APs	2	4
Clocks	2	2
Wallphones	1	1
Data Drops	14	14
<b>TOTAL DATA:</b>	<b>28</b>	



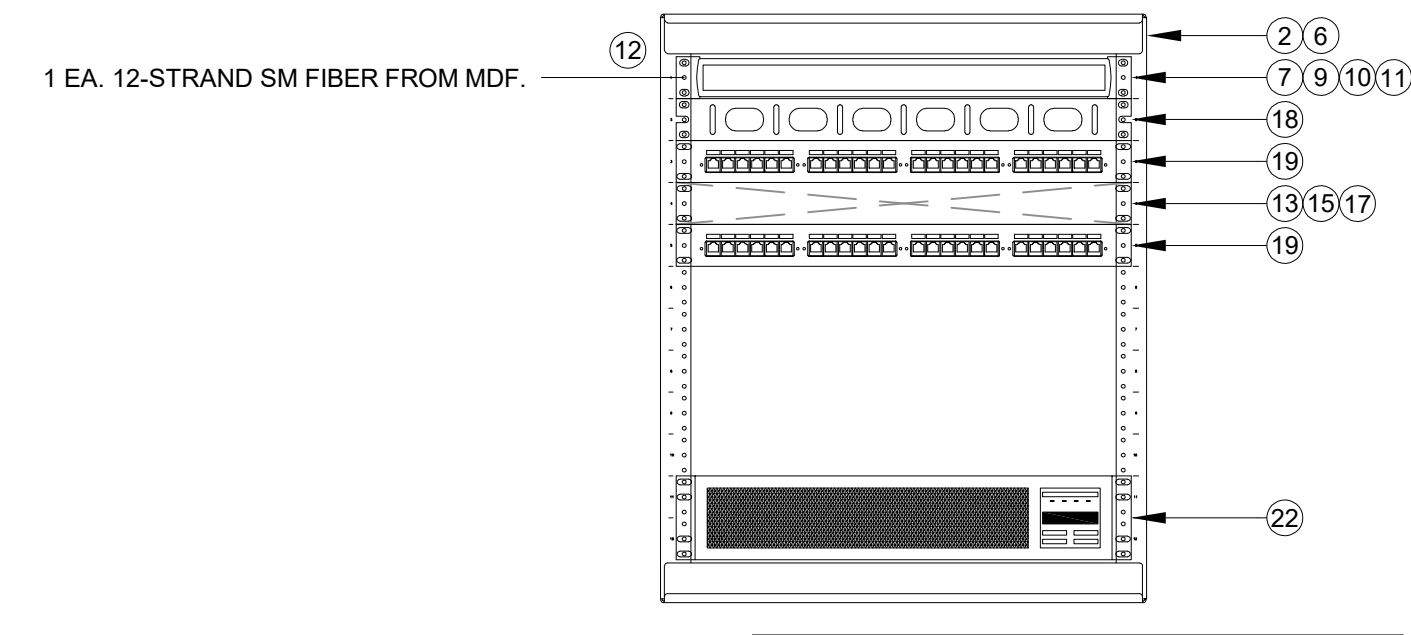
IDF 1.9		
Name	#	Switch Ports
Exterior Cameras	0	0
Exterior Speakers	0	0
Exterior APs	1	2
Interior Speakers	1	1
Interior APs	1	2
Clocks	1	1
Wallphones	1	1
Data Drops	6	6
<b>TOTAL DATA:</b>	<b>13</b>	

11 STORAGE - C010B - (E) IDF 1.10  
SCALE: NONE

10 CLASSROOM - ROOM 33 - (N) IDF 1.9  
SCALE: NONE



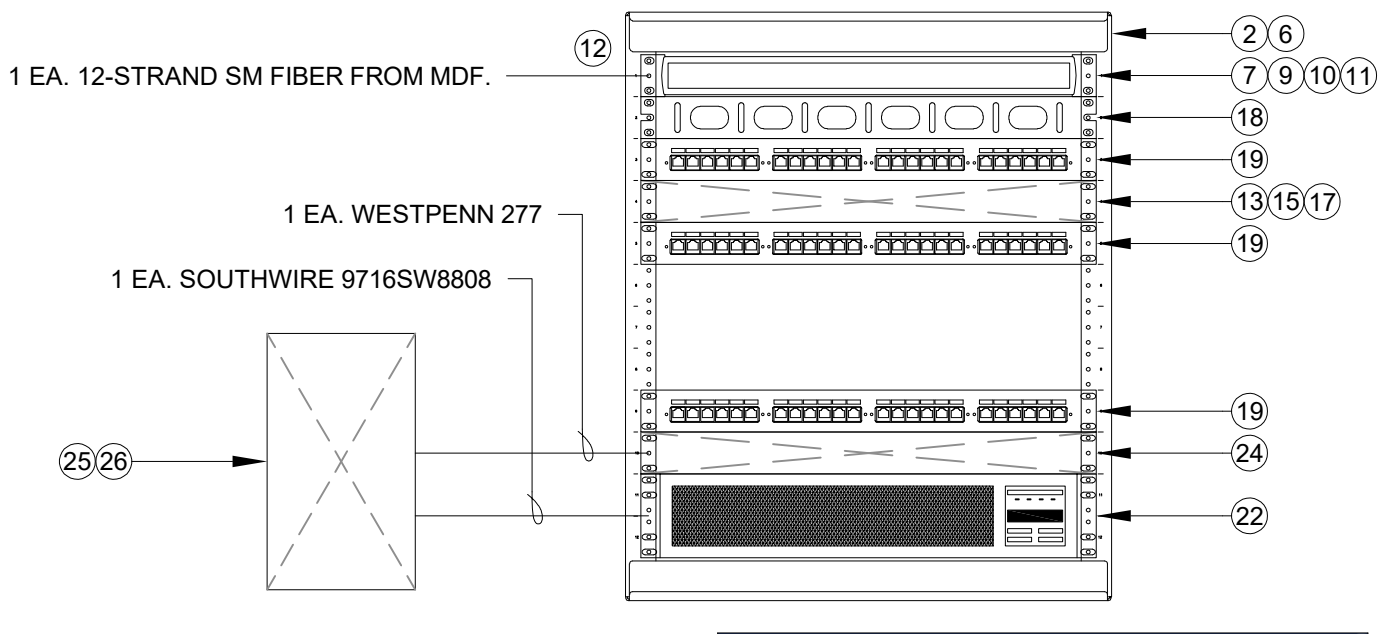
IDF 1.8		
Name	#	Switch Ports
Exterior Cameras	0	0
Exterior Speakers	1	1
Exterior APs	1	2
Interior Speakers	2	2
Interior APs	2	4
Clocks	2	2
Wallphones	2	2
Data Drops	12	12
<b>TOTAL DATA:</b>	<b>25</b>	



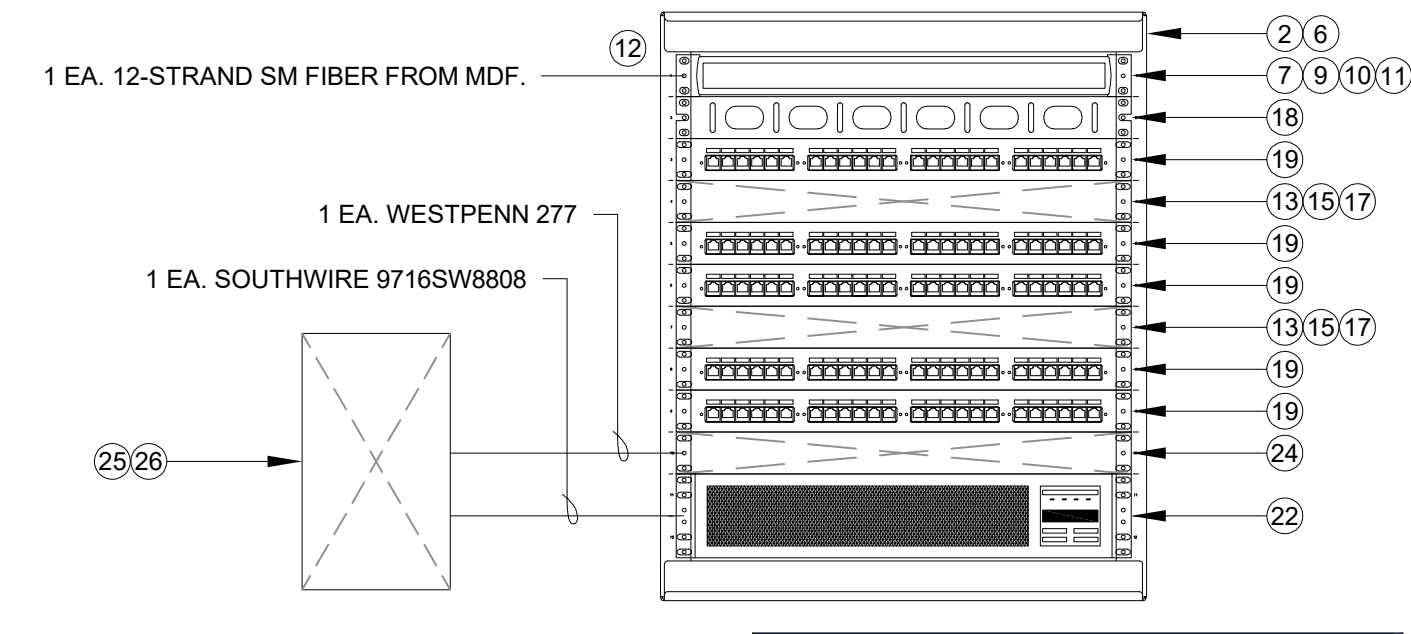
IDF 1.7		
Name	#	Switch Ports
Exterior Cameras	0	0
Exterior Speakers	0	0
Exterior APs	1	2
Interior Speakers	3	3
Interior APs	3	6
Clocks	3	3
Wallphones	3	3
Data Drops	18	18
<b>TOTAL DATA:</b>	<b>35</b>	

9 CLASSROOM - ROOM 27 - (N) IDF 1.8  
SCALE: NONE

8 CLASSROOM - ROOM 25 - (N) IDF 1.7  
SCALE: NONE



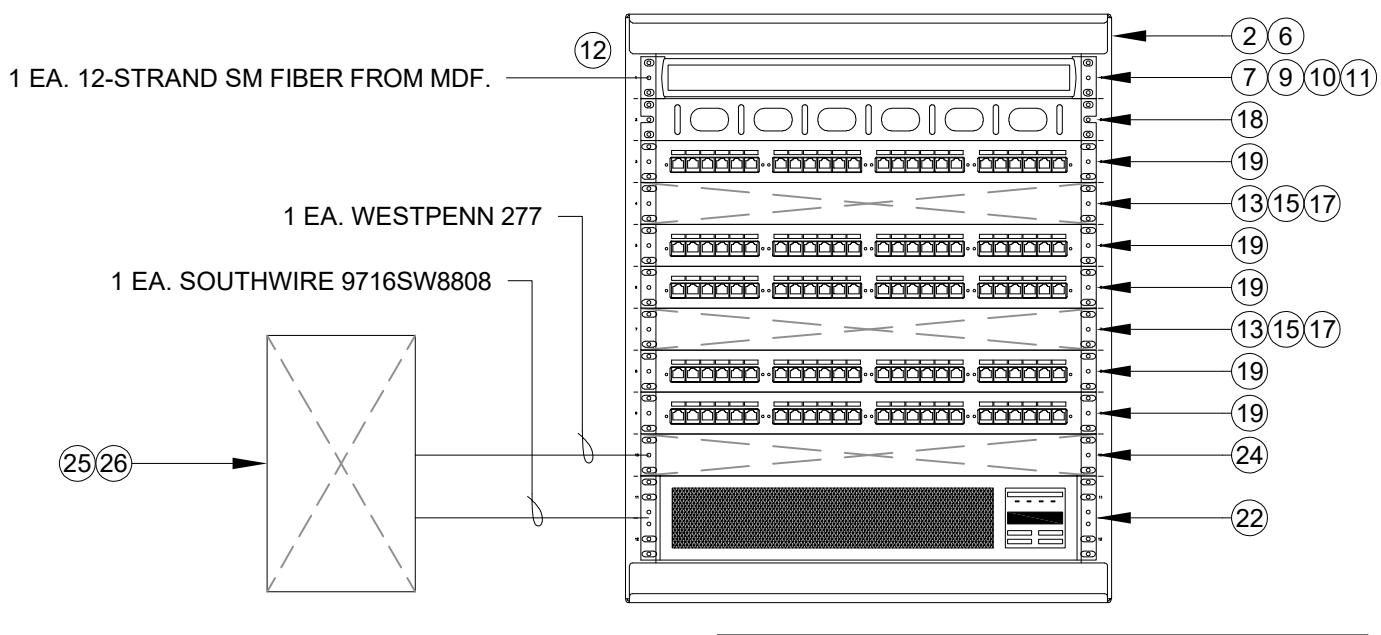
IDF 1.6		
Name	#	Switch Ports
Exterior Cameras	2	2
Exterior Speakers	2	2
Exterior APs	1	2
Interior Speakers	2	2
Interior APs	2	4
Clocks	2	2
Wallphones	2	2
Data Drops	12	12
<b>TOTAL DATA:</b>	<b>28</b>	



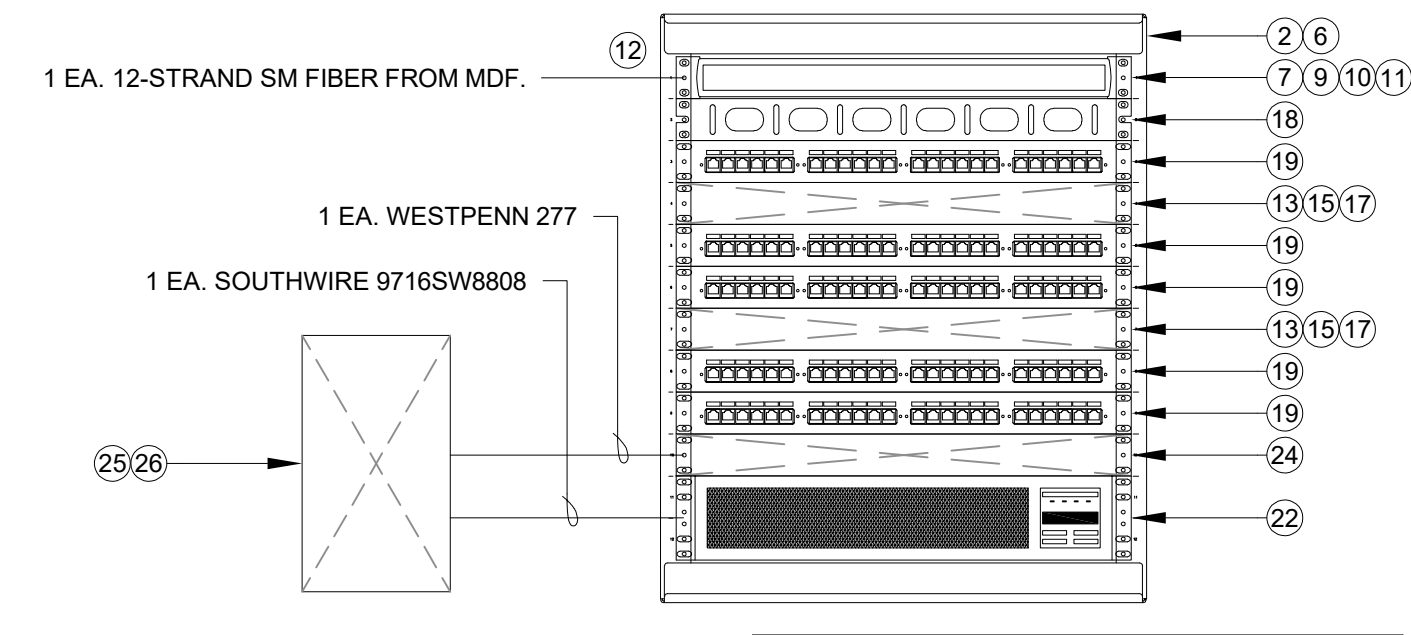
IDF 1.5		
Name	#	Switch Ports
Exterior Cameras	1	1
Exterior Speakers	3	3
Exterior APs	2	4
Interior Speakers	4	4
Interior APs	4	8
Clocks	4	4
Wallphones	4	4
Data Drops	24	24
<b>TOTAL DATA:</b>	<b>52</b>	

7 CLASSROOM - ROOM 23 - (N) IDF 1.6  
SCALE: NONE

6 CLASSROOM - ROOM 20 - (N) IDF 1.5  
SCALE: NONE



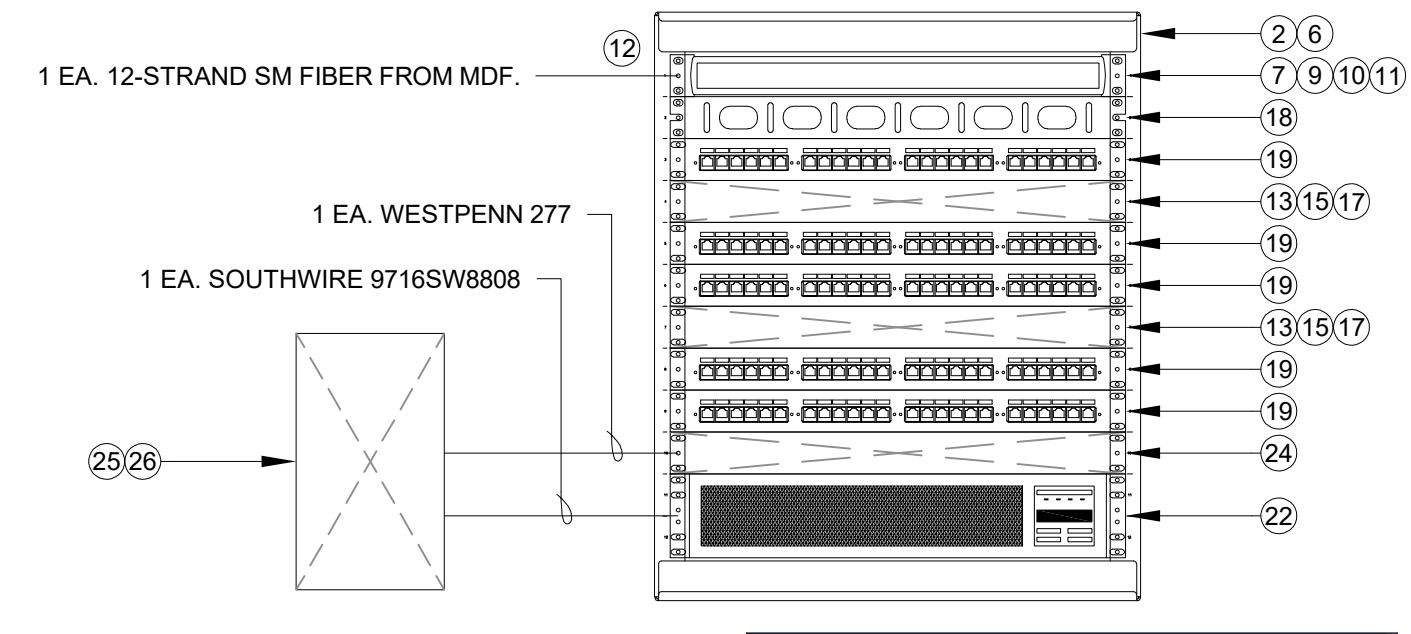
IDF 1.3		
Name	#	Switch Ports
Exterior Cameras	1	1
Exterior Speakers	0	0
Exterior APs	1	2
Interior Speakers	4	4
Interior APs	4	8
Clocks	4	4
Wallphones	4	4
Data Drops	24	24
<b>TOTAL DATA:</b>	<b>47</b>	



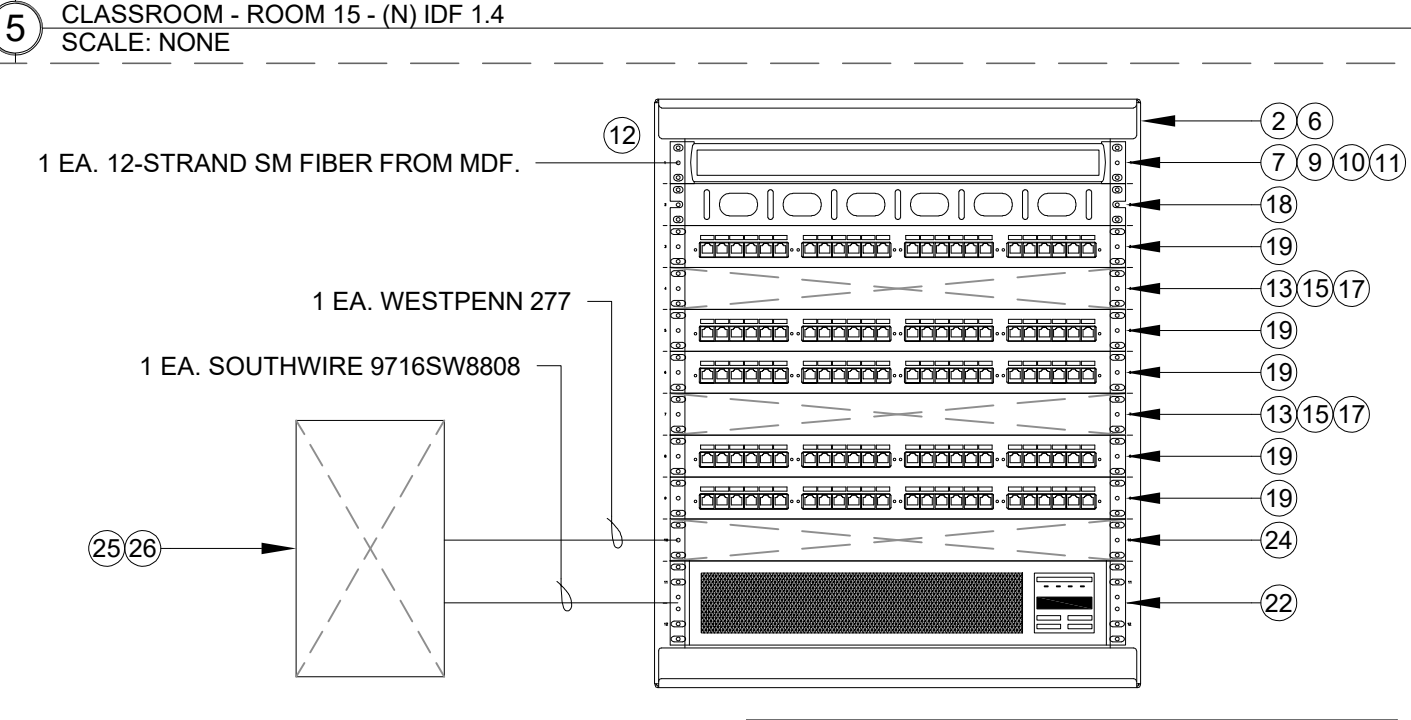
IDF 1.2		
Name	#	Switch Ports
Exterior Cameras	1	1
Exterior Speakers	2	2
Exterior APs	0	0
Interior Speakers	4	4
Interior APs	4	8
Clocks	4	4
Wallphones	4	4
Data Drops	22	22
<b>TOTAL DATA:</b>	<b>45</b>	

4 CLASSROOM E6 - ROOM 10 - (N) IDF 1.3  
SCALE: NONE

3 CLASSROOM D5 - ROOM 6 - (N) IDF 1.2  
SCALE: NONE

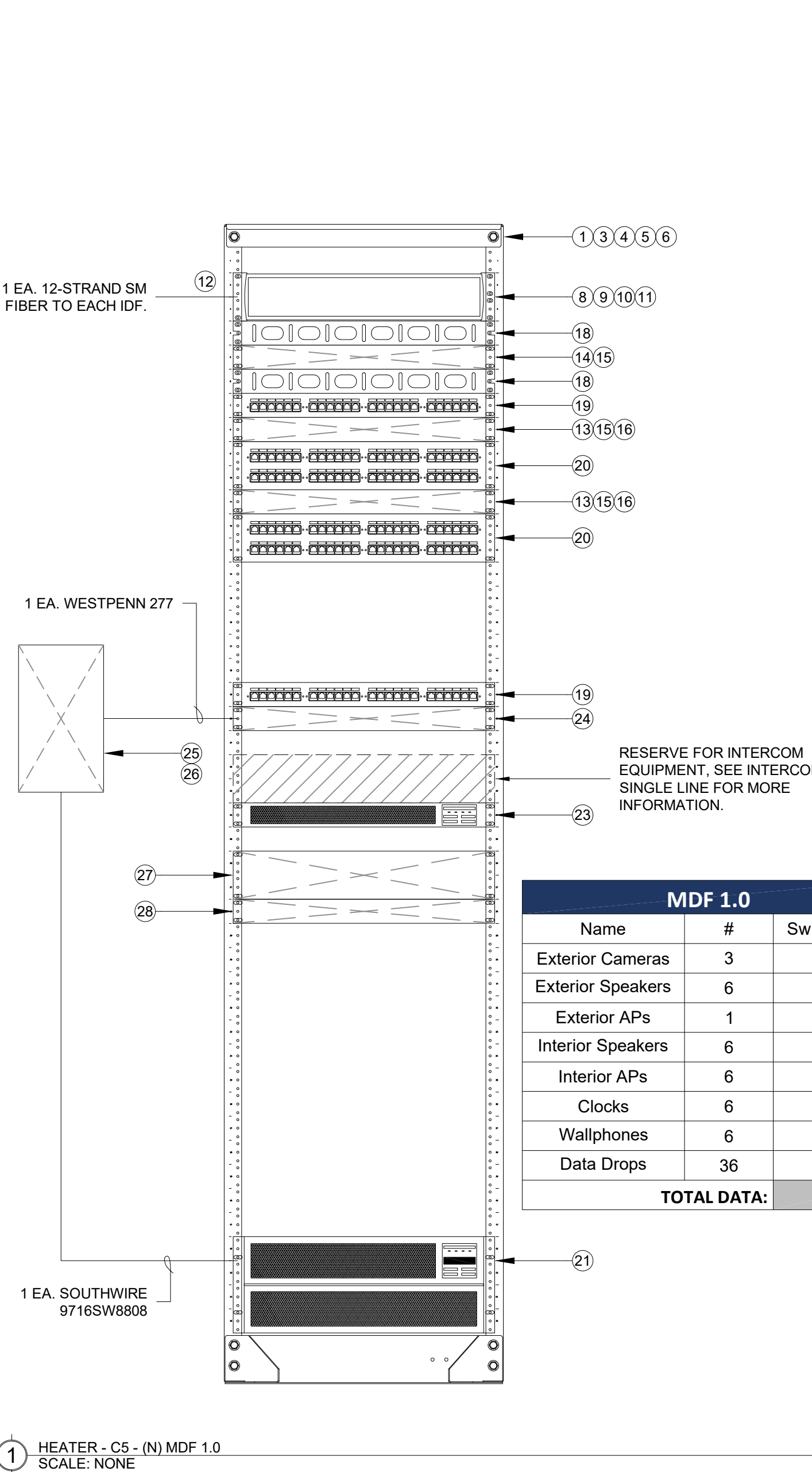


IDF 1.4		
Name	#	Switch Ports
Exterior Cameras	3	3
Exterior Speakers	3	3
Exterior APs	0	0
Interior Speakers	4	4
Interior APs	4	8
Clocks	4	4
Wallphones	4	4
Data Drops	24	24
<b>TOTAL DATA:</b>	<b>50</b>	



IDF 1.1		
Name	#	Switch Ports
Exterior Cameras	3	3
Exterior Speakers	3	3
Exterior APs	3	6
Interior Speakers	10	10
Interior APs	7	14
Clocks	8	8
Wallphones	4	4
Data Drops	43	43
<b>TOTAL DATA:</b>	<b>91</b>	

2 STORAGE - B6 - (E) IDF 1.1  
SCALE: NONE



MDF 1.0		
Name	#	Switch Ports
Exterior Cameras	3	3
Exterior Speakers	6	6
Exterior APs	1	2
Interior Speakers	6	6
Interior APs	6	12
Clocks	6	6
Wallphones	6	6
Data Drops	36	36
<b>TOTAL DATA:</b>	<b>77</b>	

1 HEATER - C5 - (N) MDF 1.0  
SCALE: NONE

RACK COMPONENTS:				
ALL EQUIPMENT AND MATERIALS ARE CONTRACTOR FURNISHED, INSTALLED AND CONFIGURED (UNO)				
SYMBOL	DESCRIPTION	MODEL	PART NUMBER	NOTES / DETAIL REFERENCES
①	RACK CABINET 7"	DAMAC	CS84EDB1BSS3	N/A
②	WALL MOUNT CABINET 24"		WSR24BP1VVV-3GP	300 LBS. CAPACITY
③	20 AMP POWER STRIP		P0828GM201	N/A
④	19" RACK MOUNT GROUND BAR		ARGB019	N/A
⑤	CONCRETE FLOOR RACK KIT		ARRFK-58	N/A
⑥	FAN KIT ENCLOSURE		ATFK2	N/A
⑦	FIBER OPTIC LIU 1-RU	ORTRONICS, INFINIUM	INF01U-MM-E	N/A
⑧	FIBER OPTIC LIU 2-RU		INF02U-MM-E	N/A
⑨	FIBER OPTIC ADAPTER		HDFF-LCD12AC	N/A
⑩	FIBER OPTIC LC FIELD TERM CONNECTOR		205KAN9GASM	N/A
⑪	FIBER OPTIC FANOUT KIT		61500858	N/A
⑫	FIBER OPTIC CABLE SINGLE-MODE OS2, INDOOR/OUTDOOR	SUPERIOR ESSEX	W4012J101	N/A
⑬	NETWORK SWITCH 36G/12SR5/4SFP+	ARUBA	6200MR8Q71A	OWNER FURNISHED, CONTRACTOR INSTALLED
⑭	NETWORK SWITCH 24SFP+/4SFP56		6300MJL658A	OWNER FURNISHED, CONTRACTOR INSTALLED
⑮	NETWORK SWITCH POWER SUPPLY		JL087A	OWNER FURNISHED, CONTRACTOR INSTALLED
⑯	DAC CABLE 1 METER		J9281D	OWNER FURNISHED, CONTRACTOR INSTALLED
⑰	SFP+ TRANSCEIVER		J9151E	OWNER FURNISHED, CONTRACTOR INSTALLED
⑱	19" HORIZONTAL CABLE MANAGER	DAMAC	F533-1901	N/A
⑲	24-PORT PATCH PANEL	ORTRONICS	OR-SPKSU24	N/A
⑳	48-PORT PATCH PANEL		OR-SPKSU48	N/A
㉑	UPS - MDF	N1C	N1C.LR2000	N/A
㉒	UPS - IDF		N1C.LR1500	N/A
㉓	UPS - INTERCOM HEAD END		N1C.LR1500	N/A
㉔	28-PORT INDUSTRIAL POE+ SWITCH	ANTAIRA	LNP-2804GN-SFP-T	N/A
㉕	960W POWER SUPPLY		SDR-960-48	N/A
㉖	10" DIN RAIL		DIN-RAIL-10	N/A
㉗	NETWORK VIDEO RECORDER	I-PRO	NVR-RL-2-48TB-V3	N/A
㉘	CCTV MONITOR / KEYBOARD	TRIPP LITE	B021-000-19-HD2	N/A



KMM SERVICES, INC  
TECHNOLOGY & FIRE LIFE SAFETY

5433 El Camino Ave. Suite 5  
Carlsbad, CA 92008  
Office: (916) 359-4000 www.kmm.com



Copyright © 2023  
These drawings and specifications and the ideas, designs and arrangements represented thereby are and shall remain the property of KMM Services, Inc. and no part thereof shall be copied, disclosed to others, or used in connection with any other work or project other than the specific project for which they have been prepared and developed without the written consent of KMM Services, Inc. Visual contact with these drawings or specifications shall constitute conclusive evidence of these restrictions.

IF DRAWING IS NOT 30"x42" IT IS A REDUCED PRINT

SHEET REVISIONS

DELTA	DESCRIPTION	DATE

SITE KEY PLAN

PROJECT  
SACRAMENTO CITY USD  
CLAYTON B. WIRE ES  
TECHNOLOGY NETWORK  
INFRA. UPGRADE  
5100 EL PASO AVE.  
SACRAMENTO, CA. 95824

SHEET TITLE  
TECHNOLOGY  
DATA RACK ELEVATIONS  
AND  
SINGLE LINE DIAGRAM

DRAWING STATUS  
BID SET

PROJECT NO:	
CONTRACT NO:	0040-461-2
DESIGNED BY:	RK/CC
CHECKED BY:	JG
ISSUE DATE:	2023-03-16
WORKING DATE:	2023-03-20

REVISION

SHEET  
T400

EQUIPMENT SCHEDULE EXTERIOR SURFACE SPEAKER: ALL EQUIPMENT AND MATERIALS ARE CONTRACTOR FURNISHED, INSTALLED AND CONFIGURED (UNO)			
DESCRIPTION	MODEL	PART NUMBER	NOTES / DETAIL REFERENCES
TELECENTER U IP CLASSROOM MODULE	RAULAND	TCC2011A	MOUNT INSIDE BUILDING
TELECENTER U BREAKOUT MODULE	RAULAND	603101	MOUNT INSIDE BUILDING
8 OHM, 8" MOISTURE RESISTANT SPEAKER	LOWELL	8C10MRB	N/A
GRILLE VANDAL RESISTANT	RAULAND	ACC1012	N/A
SURFACE MOUNT SPEAKER ENCLOSURE	RAULAND	ACC1113	N/A

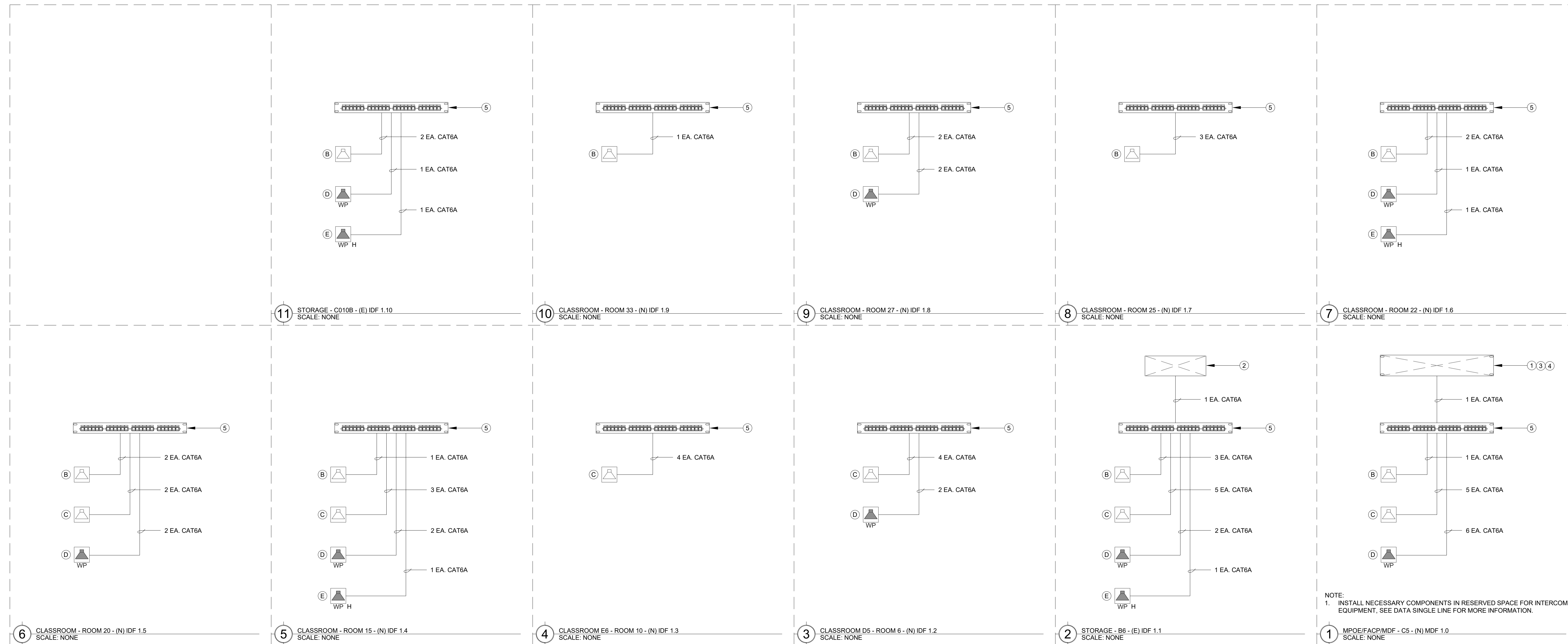
EQUIPMENT SCHEDULE EXTERIOR SURFACE HORN: ALL EQUIPMENT AND MATERIALS ARE CONTRACTOR FURNISHED, INSTALLED AND CONFIGURED (UNO)			
DESCRIPTION	MODEL	PART NUMBER	NOTES / DETAIL REFERENCES
TELECENTER U IP ZONE PAGE AMPLIFIER MODULE, POWER SUPPLY	RAULAND	TCC3022, TCC3022PS	MOUNT INSIDE BUILDING
HORN LOUDSPEAKER, GRILLE VANDAL RESISTANT	LOWELL	VRG-LUH15TX	N/A
SURFACE MOUNT SPEAKER ENCLOSURE	LOWELL	CB86-SGVPO	N/A

EQUIPMENT SCHEDULE INTERIOR SURFACE SPEAKER: ALL EQUIPMENT AND MATERIALS ARE CONTRACTOR FURNISHED, INSTALLED AND CONFIGURED (UNO)			
DESCRIPTION	MODEL	PART NUMBER	NOTES / DETAIL REFERENCES
TELECENTER U IP CLASSROOM MODULE	RAULAND	TCC2011A	MOUNT INSIDE ENCLOSURE
8 OHM, 8" SPEAKER WITH RJ45 CONNECTOR	RAULAND	US0880	N/A
SPEAKER BAFFLE	RAULAND	ACC1003	N/A
SURFACE MOUNT SPEAKER ENCLOSURE	RAULAND	ACC1112	N/A

EQUIPMENT SCHEDULE INTERIOR DROP CEILING SPEAKER: ALL EQUIPMENT AND MATERIALS ARE CONTRACTOR FURNISHED, INSTALLED AND CONFIGURED (UNO)			
DESCRIPTION	MODEL	PART NUMBER	NOTES / DETAIL REFERENCES
TELECENTER U IP CLASSROOM MODULE	RAULAND	TCC2011A	MOUNT TO SPEAKER
2X2' 8 OHM DROP-IN SPEAKER WITH RJ45 CONNECTOR	RAULAND	BAFKIT2XLRJ	N/A

EQUIPMENT SCHEDULE INTERIOR SURFACE CLOCK/SPEAKER COMBO: ALL EQUIPMENT AND MATERIALS ARE CONTRACTOR FURNISHED, INSTALLED AND CONFIGURED (UNO)			
DESCRIPTION	MODEL	PART NUMBER	NOTES / DETAIL REFERENCES
TELECENTER U IP CLASSROOM MODULE	RAULAND	TCC2011A	MOUNT IN ENCLOSURE
8 OHM, 8" SPEAKER WITH RJ45 CONNECTOR	RAULAND	US0880	N/A
IP 12" ROUND CLOCK	SAPLING	SAP-4BS-12R	N/A
GRILLE CLOCK/SPEAKER COMBO	LOWELL	AP-700	N/A
SURFACE MOUNT ENCLOSURE CLOCK/SPEAKER COMBO	LOWELL	PC712	N/A

EQUIPMENT INTERCOM SCHEDULE: ALL EQUIPMENT AND MATERIALS ARE CONTRACTOR FURNISHED, INSTALLED AND CONFIGURED (UNO)				
SYMBOL	DESCRIPTION	MODEL	PART NUMBER	NOTES / DETAIL REFERENCES
①	TELECENTER U IP CONTROLLER	RAULAND	TCC2000	N/A
②	TELECENTER U ADMIN CONSOLE		TCC2045	N/A
③	TELECENTER U AUX. IN/OUT. MODULE		TCC2033	N/A
	UNIVERSAL RACK MOUNTING KIT		TCC2099	N/A
④	TELECENTER U PROGRAM LINE INPUT MODULE		TCC2045	N/A
⑤	24-PORT PATCH PANEL	SEE DATA SINGLE LINE RACK COMPONENTS #19/T400 FOR MORE INFORMATION.		N/A



**KMM SERVICES, INC.**  
TECHNOLOGY & FIRE LIFE SAFETY  
5433 El Camino Ave., Suite 5  
Carrollvale, CA 95608  
Office: (916) 359-4000 www.kmm-services.com



Copyright © 2023  
These drawings and specifications and the ideas, designs and arrangements represented thereby are and shall remain the property of KMM Services, Inc. and no part thereof shall be copied, disclosed to others, or used in connection with any other work or project other than the specific project for which they have been prepared and developed without the written consent of KMM Services, Inc. Visual contact with these drawings or specifications shall constitute conclusive evidence of these restrictions.

IF DRAWING IS NOT 30"X42" IT IS A REDUCED PRINT

SHEET REVISIONS		
DELTA	DESCRIPTION	DATE

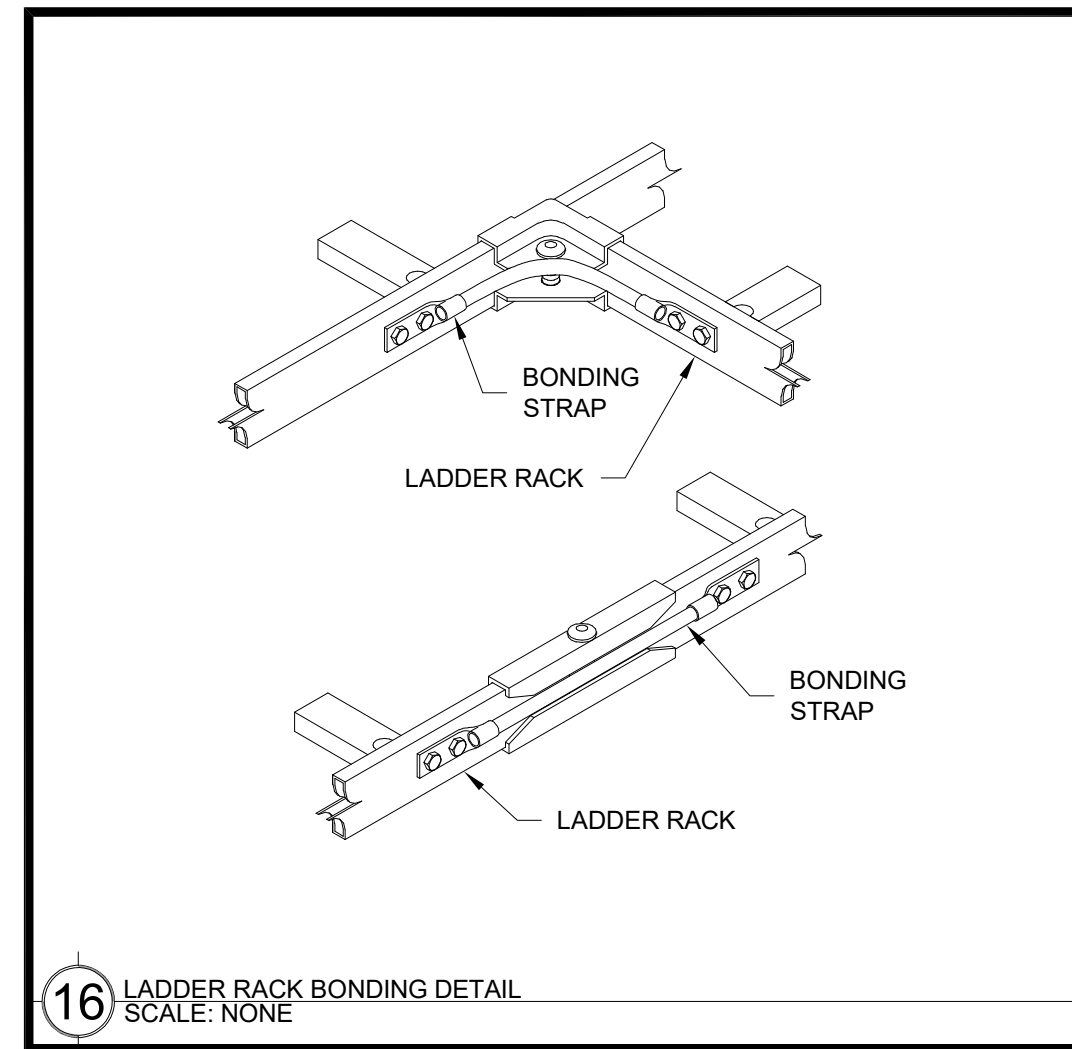
**SITE KEY PLAN**

PROJECT  
**SACRAMENTO CITY USD  
CLAYTON B. WIRE ES  
TECHNOLOGY NETWORK  
INFRA. UPGRADE**  
5100 EL PASO AVE.  
SACRAMENTO, CA. 95824

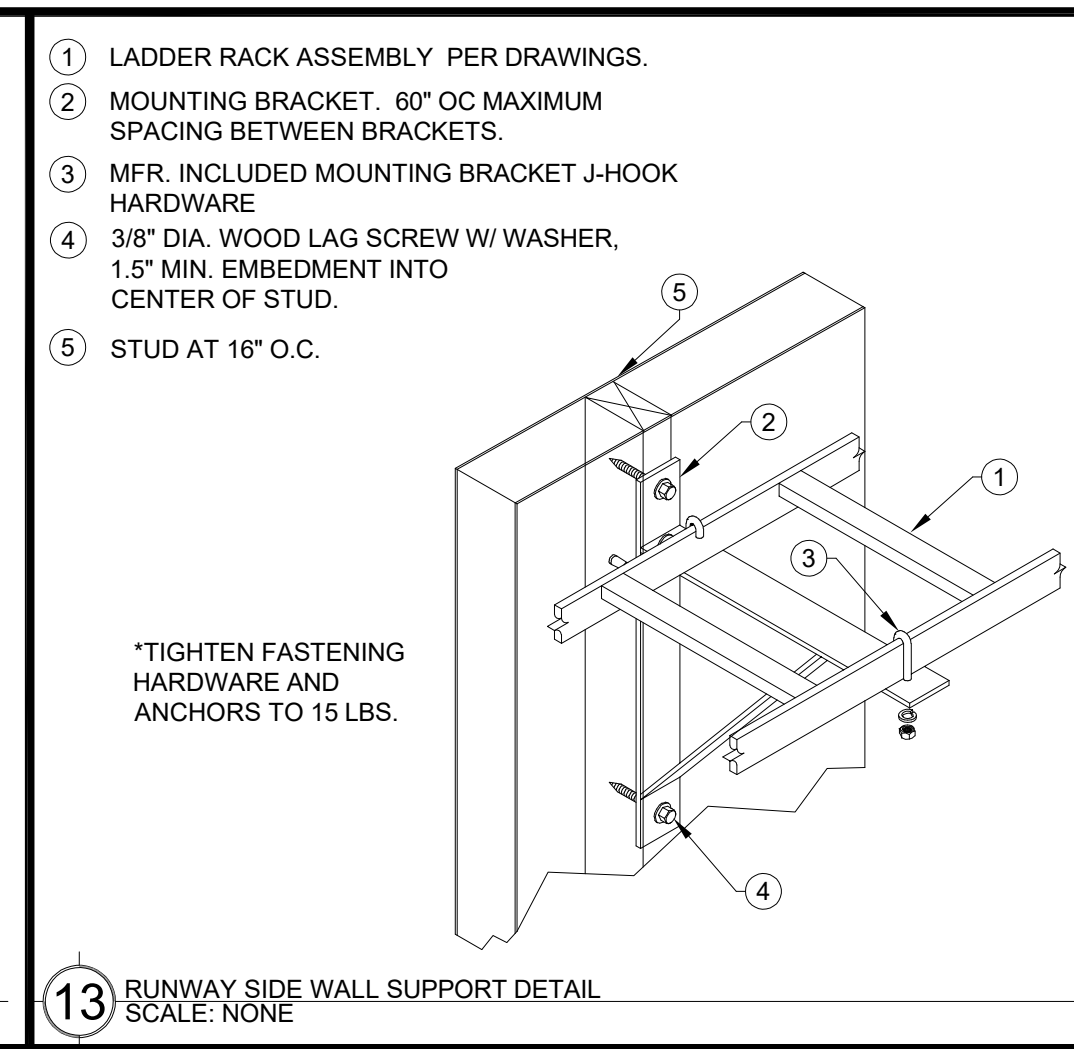
SHEET TITLE  
**TECHNOLOGY  
INTERCOM  
SINGLE LINE DIAGRAM**

DRAWING STATUS	
BID SET	
PROJECT NO.:	-
CONTRACT NO.:	0040-461-2
DESIGNED BY:	RK/CC
CHECKED BY:	JG
ISSUE DATE:	2023-03-16
WORKING DATE:	2023-03-01
REVISION	

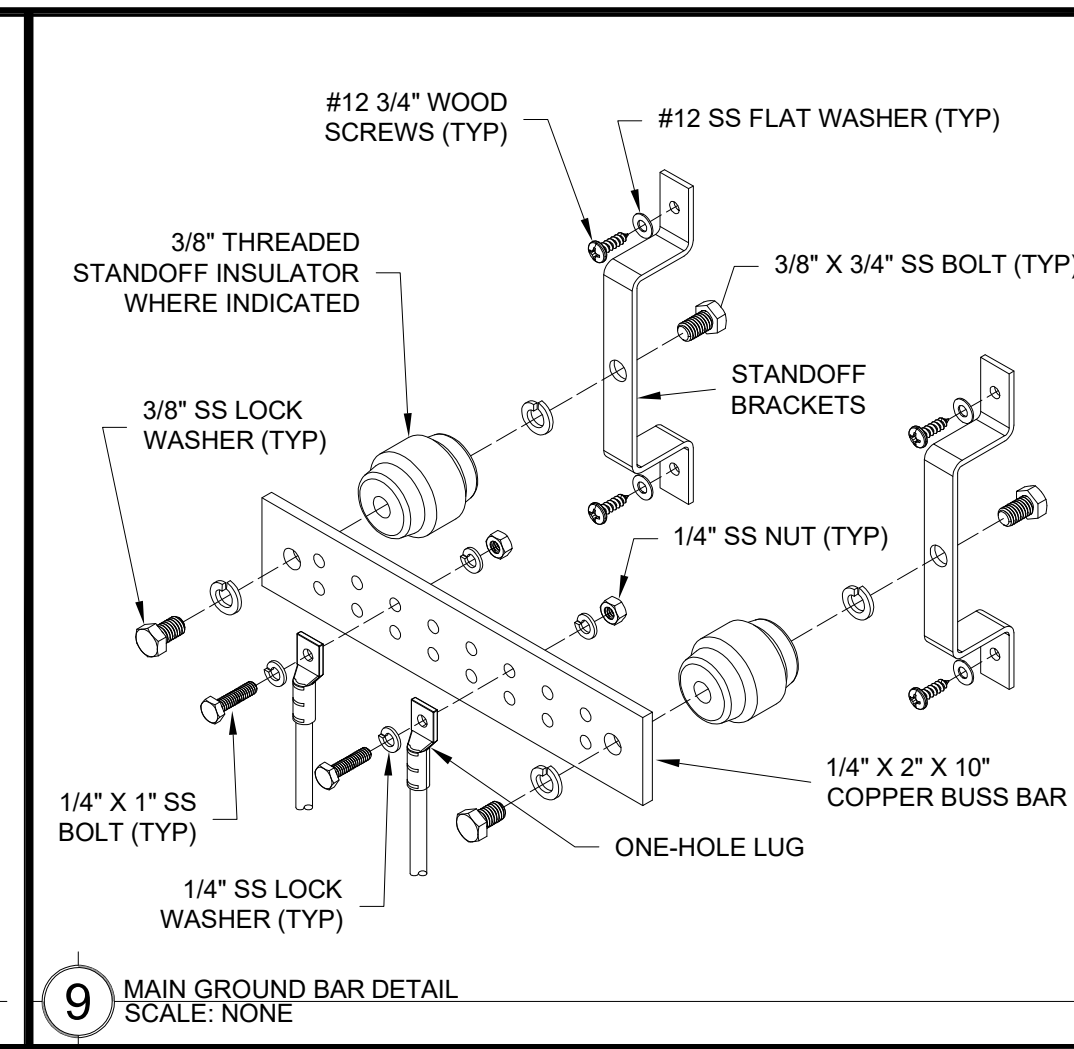
SHEET **T401**



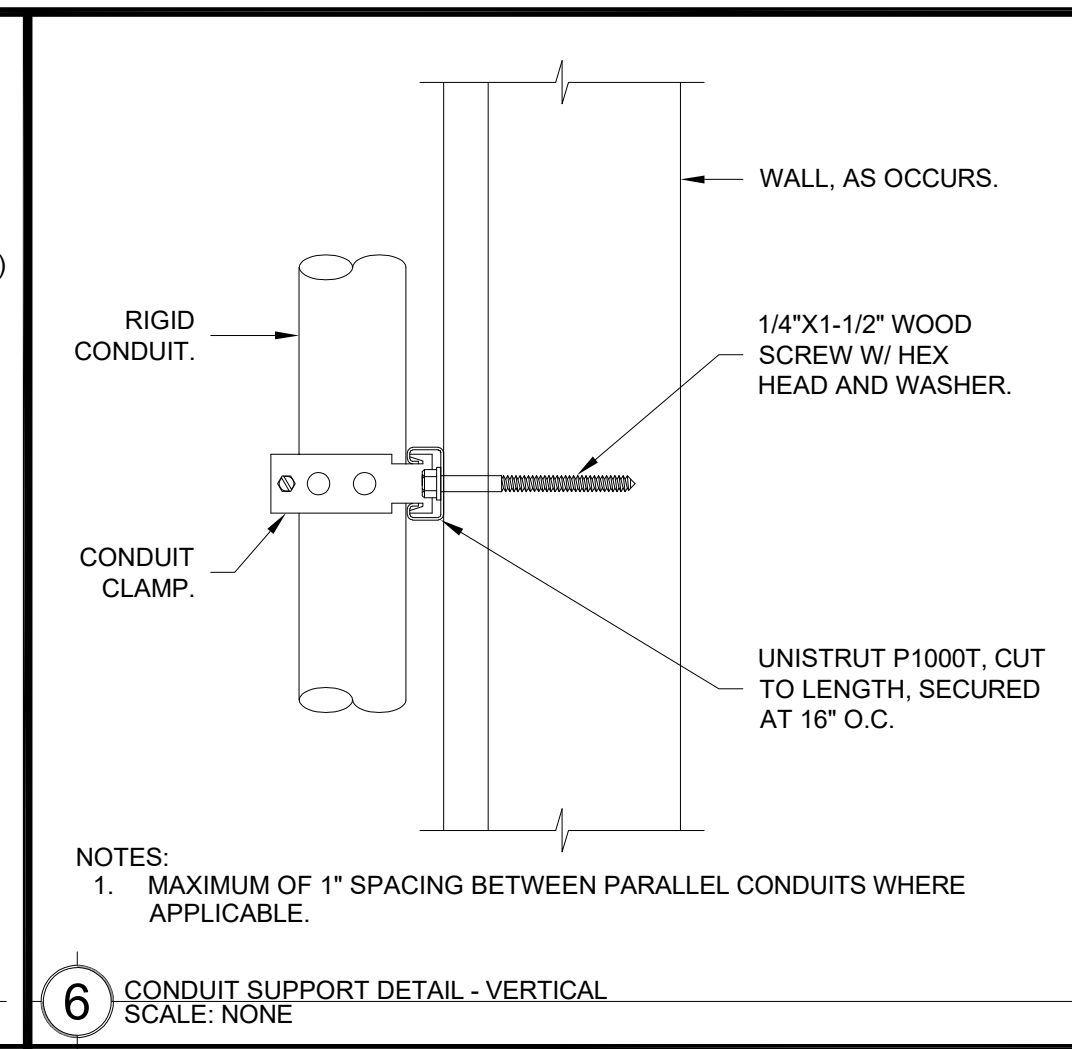
16 LADDER RACK BONDING DETAIL  
SCALE: NONE



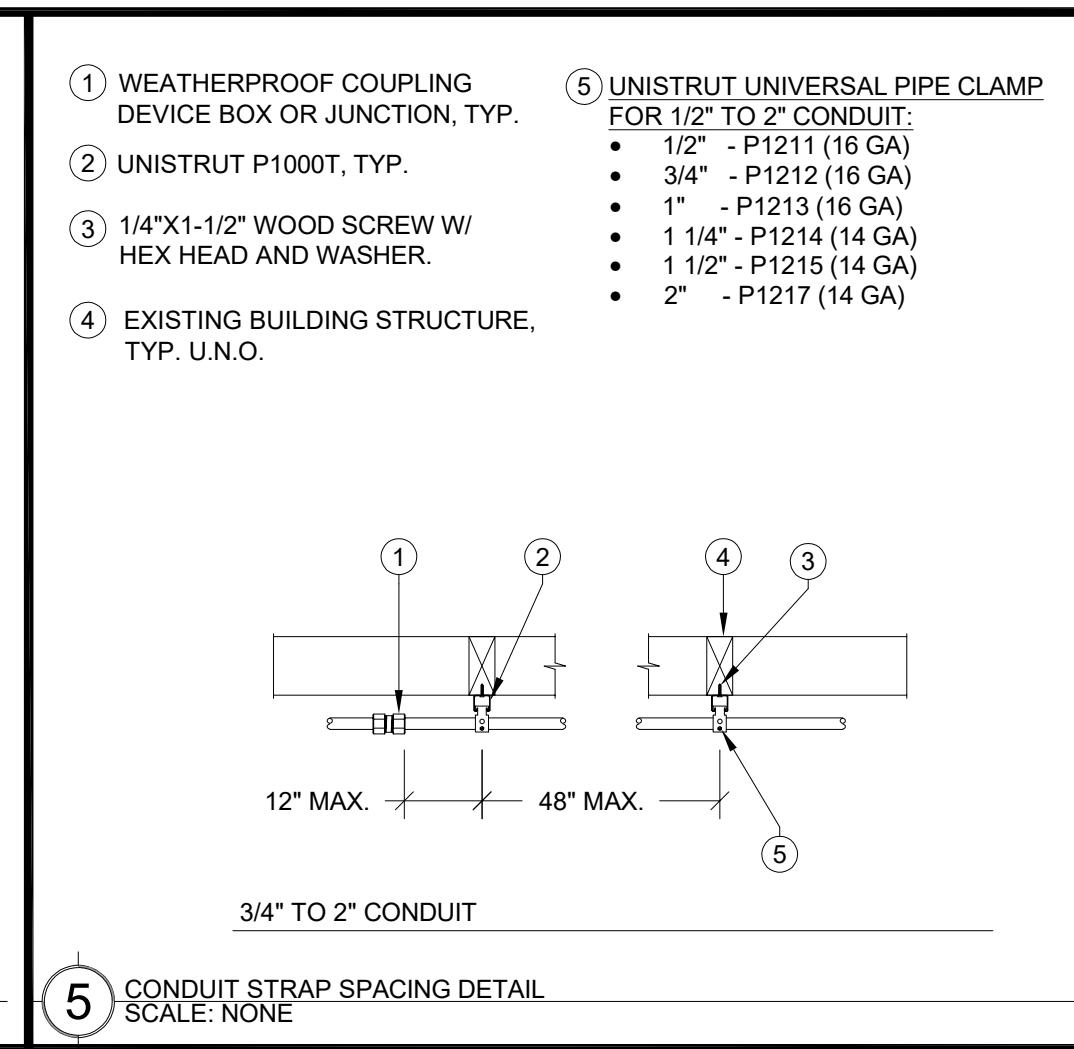
13 RUNWAY SIDE WALL SUPPORT DETAIL  
SCALE: NONE



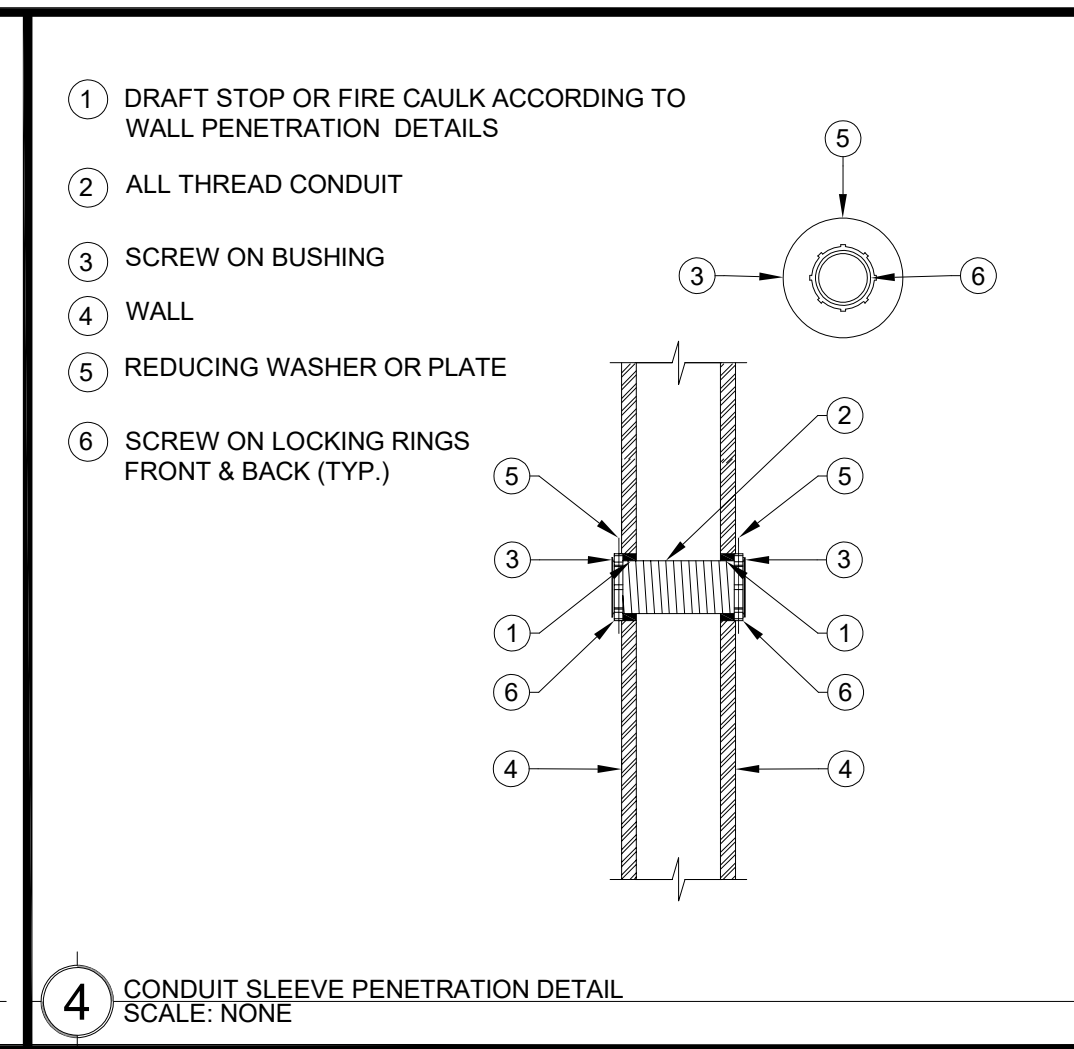
9 MAIN GROUND BAR DETAIL  
SCALE: NONE



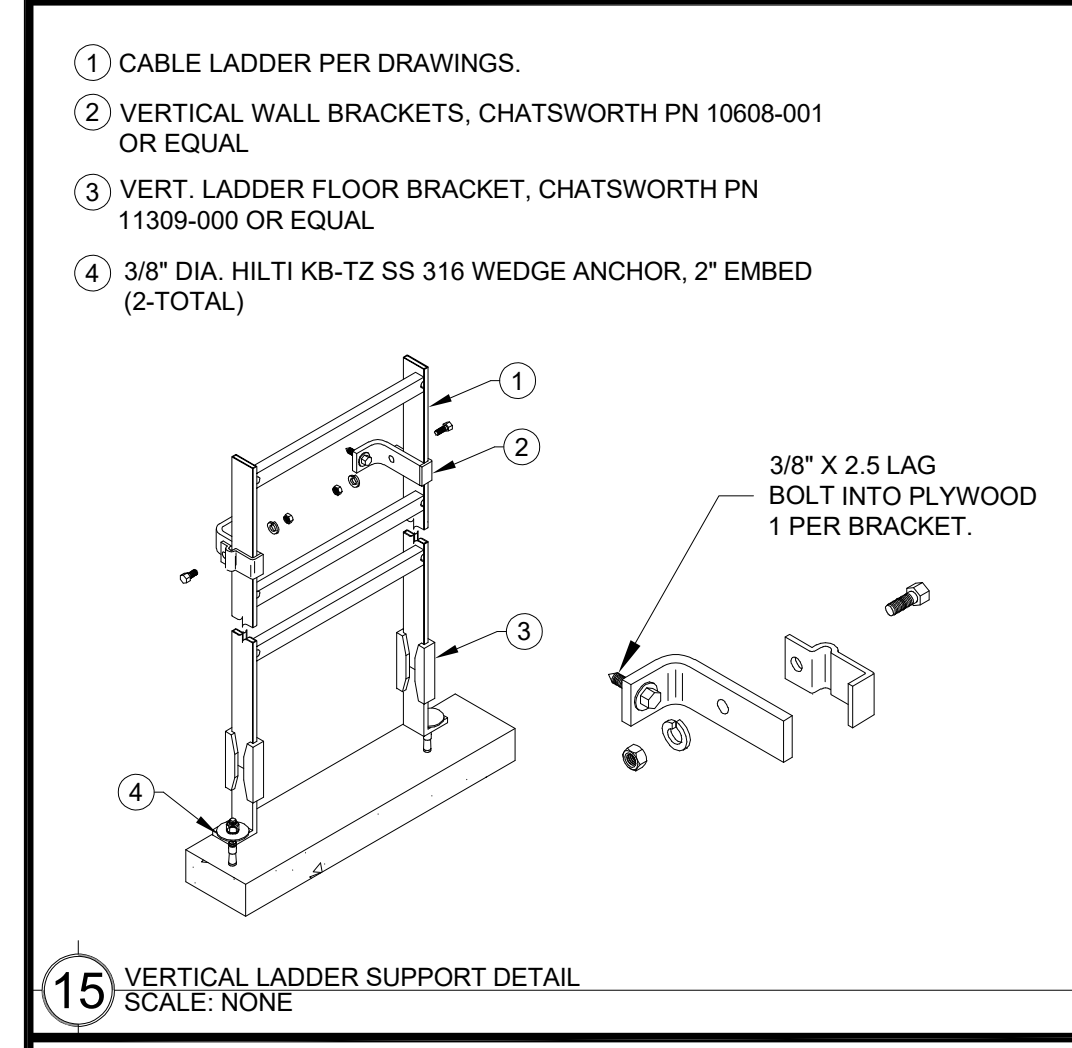
6 CONDUIT SUPPORT DETAIL - VERTICAL  
SCALE: NONE



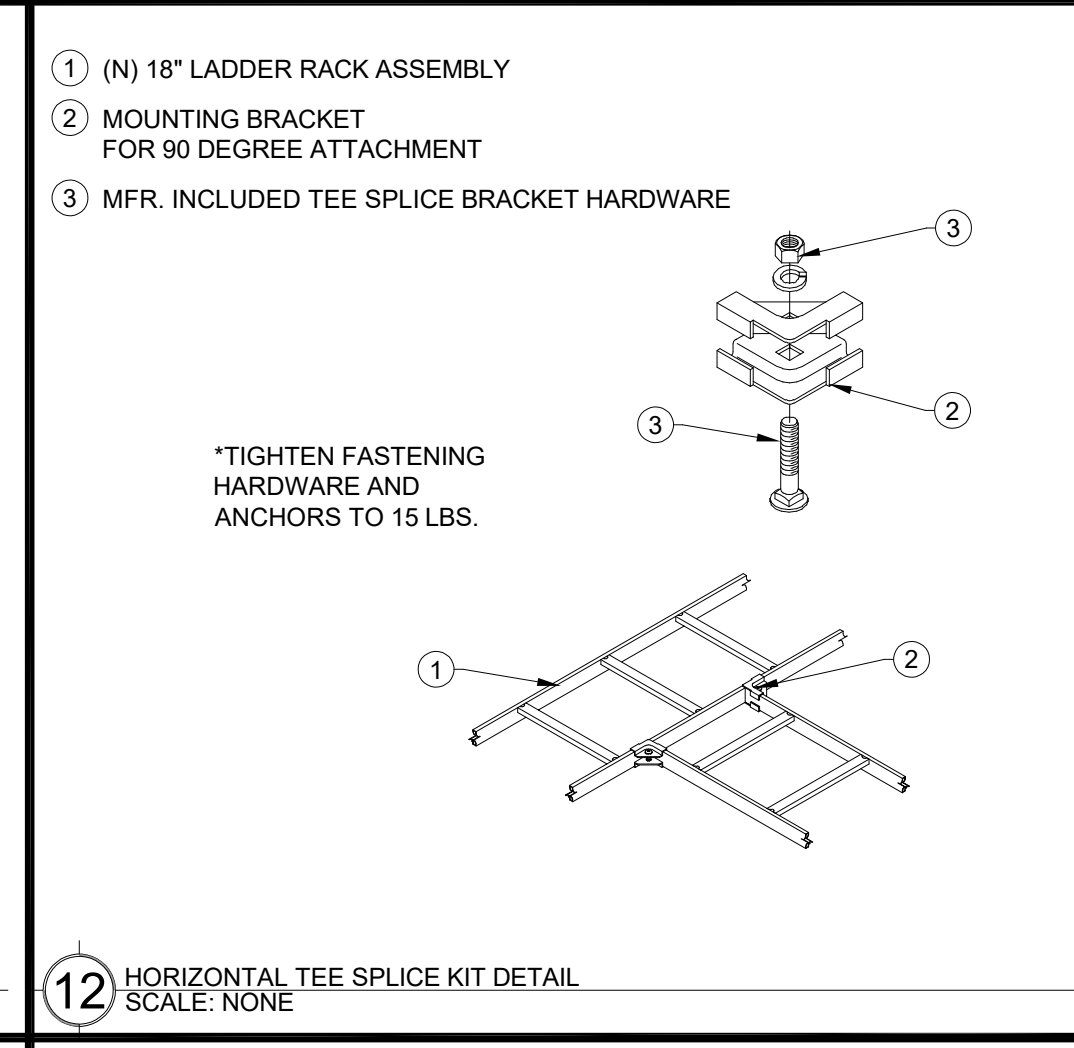
5 CONDUIT STRAP SPACING DETAIL  
SCALE: NONE



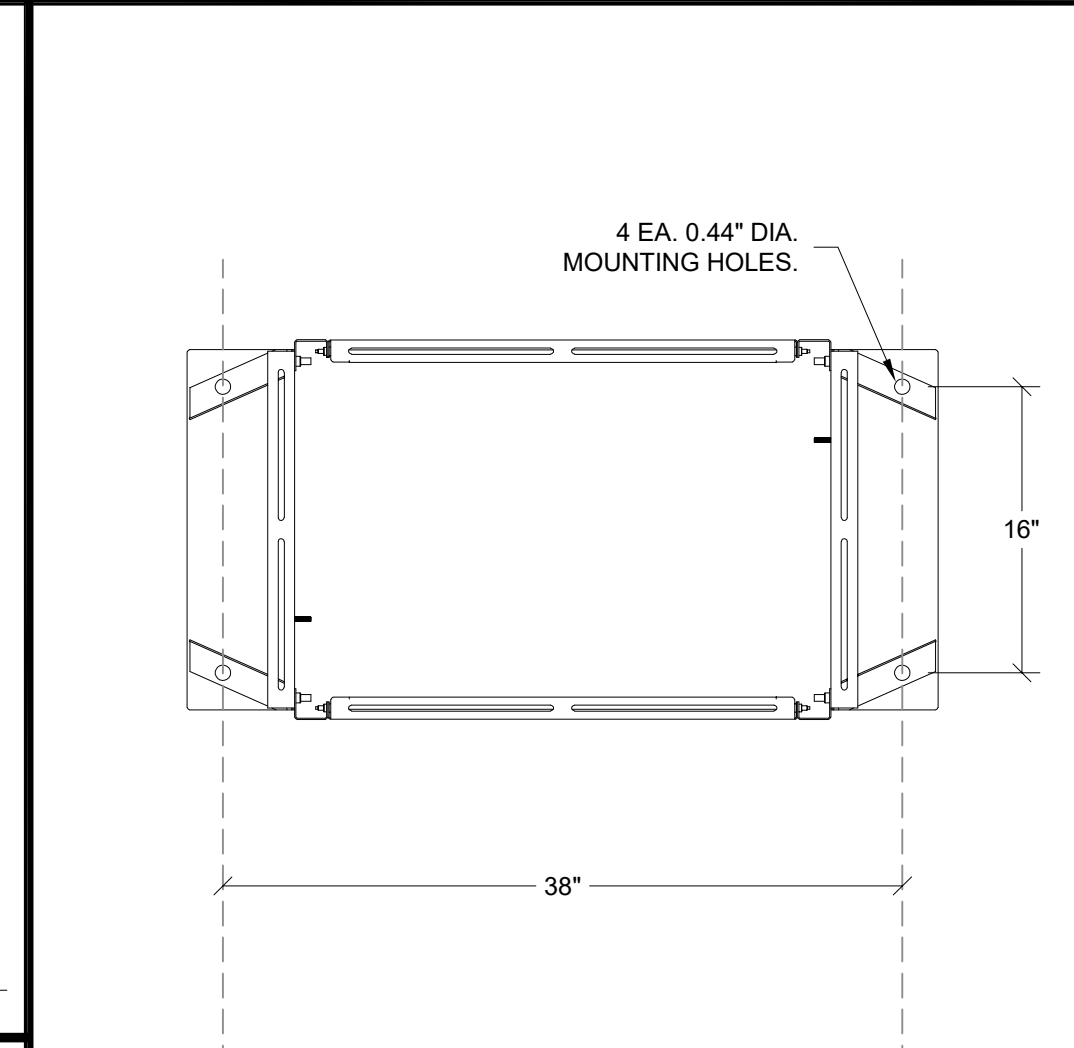
4 CONDUIT SLEEVE PENETRATION DETAIL  
SCALE: NONE



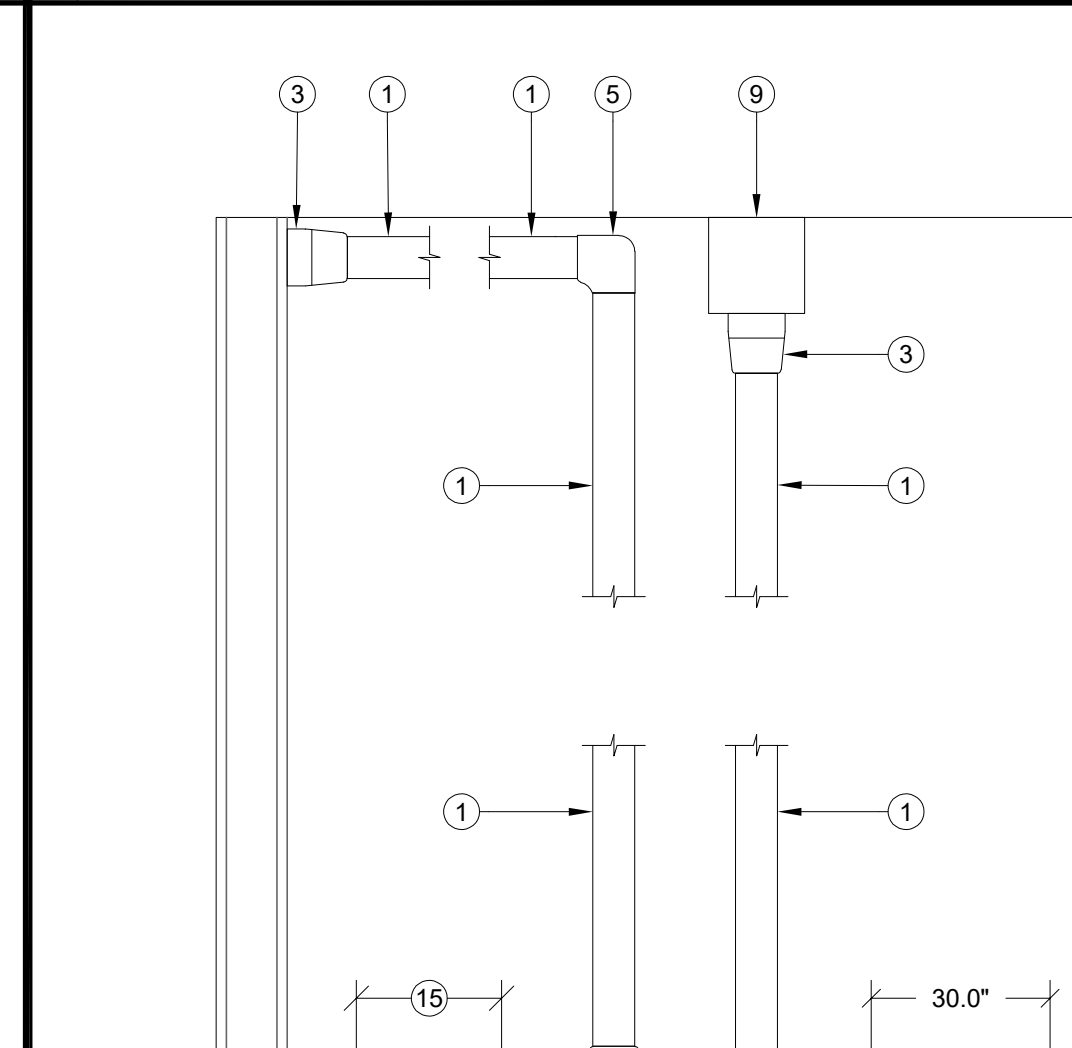
15 VERTICAL LADDER SUPPORT DETAIL  
SCALE: NONE



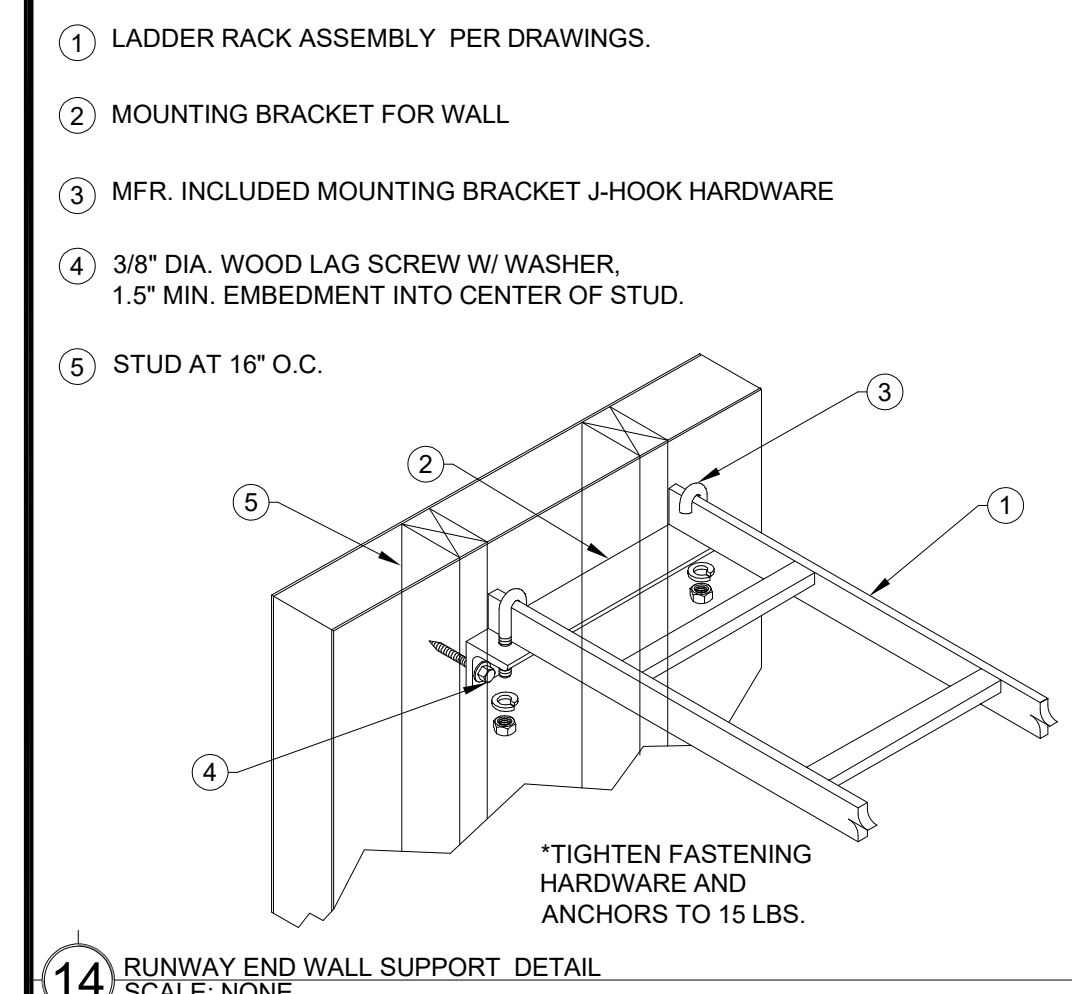
12 HORIZONTAL TEE SPLICE KIT DETAIL  
SCALE: NONE



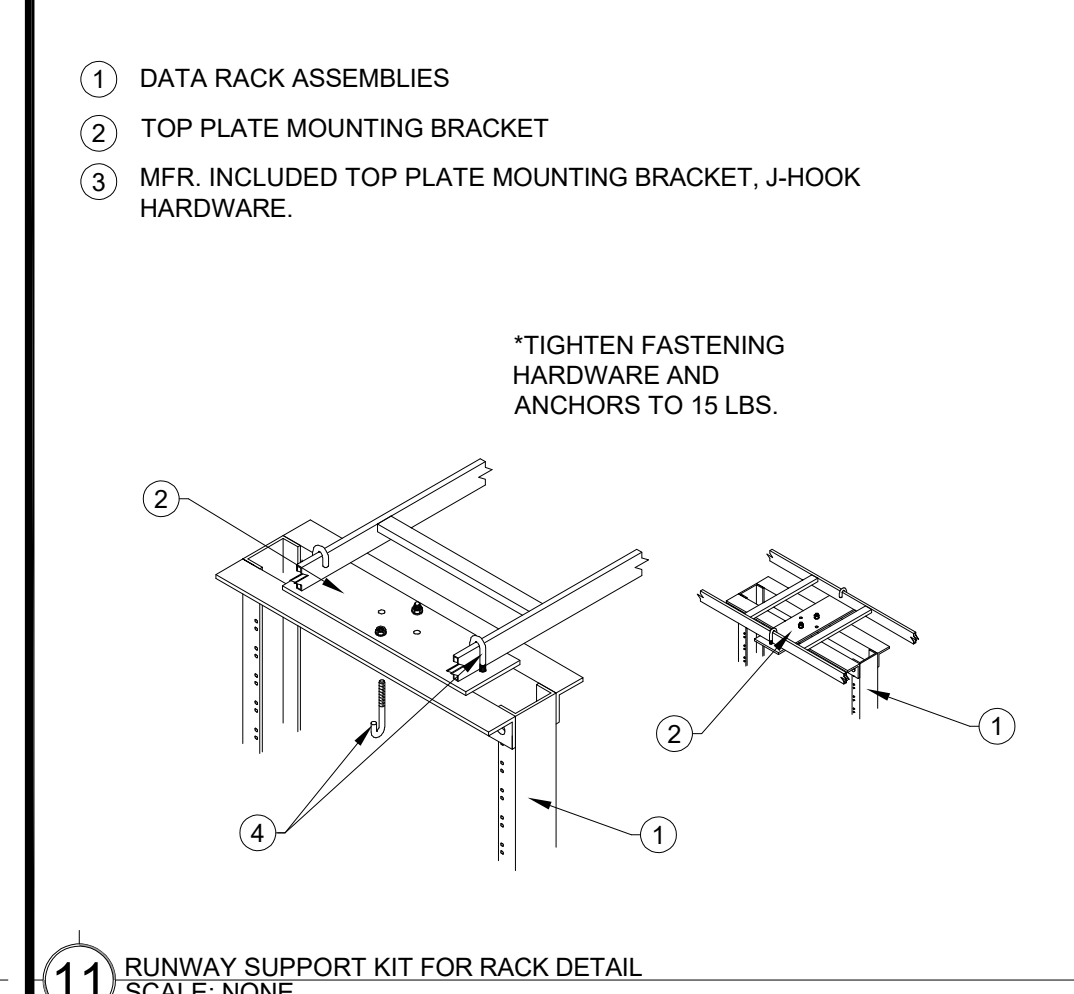
8 FLOOR MOUNTED 4-POST RACK DETAIL  
SCALE: NONE



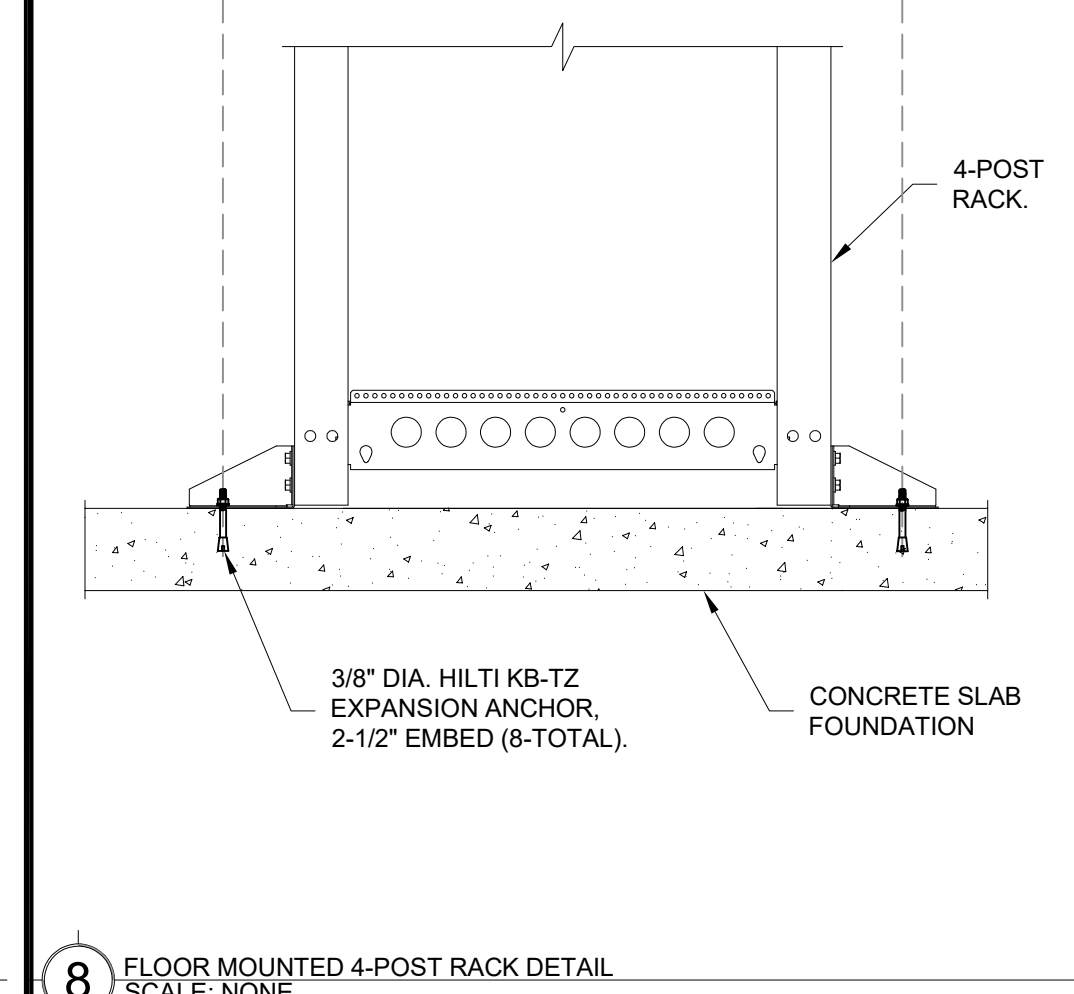
3 TYPICAL SURFACE MOUNTED RACEWAY W/ ASSEMBLY COMPONENTS DETAIL  
SCALE: NONE



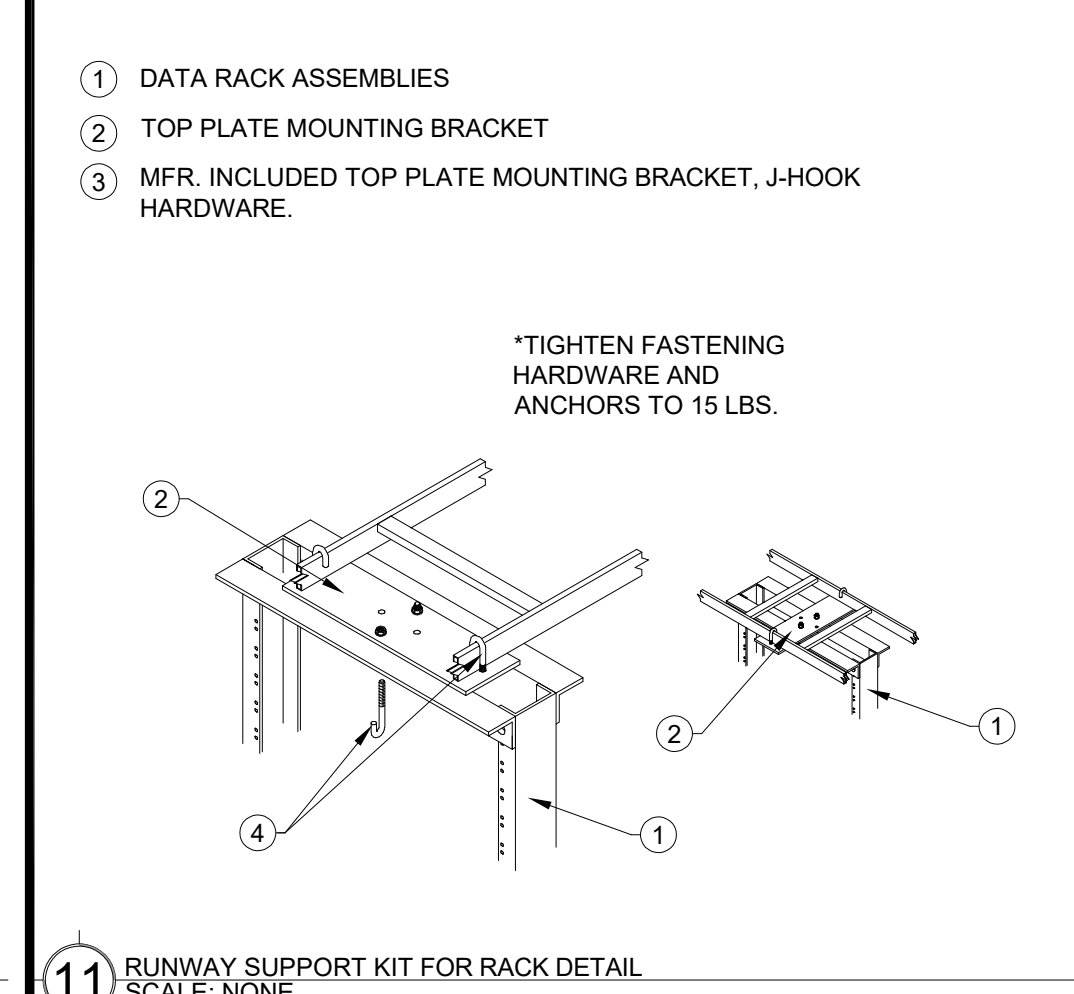
14 RUNWAY END WALL SUPPORT DETAIL  
SCALE: NONE



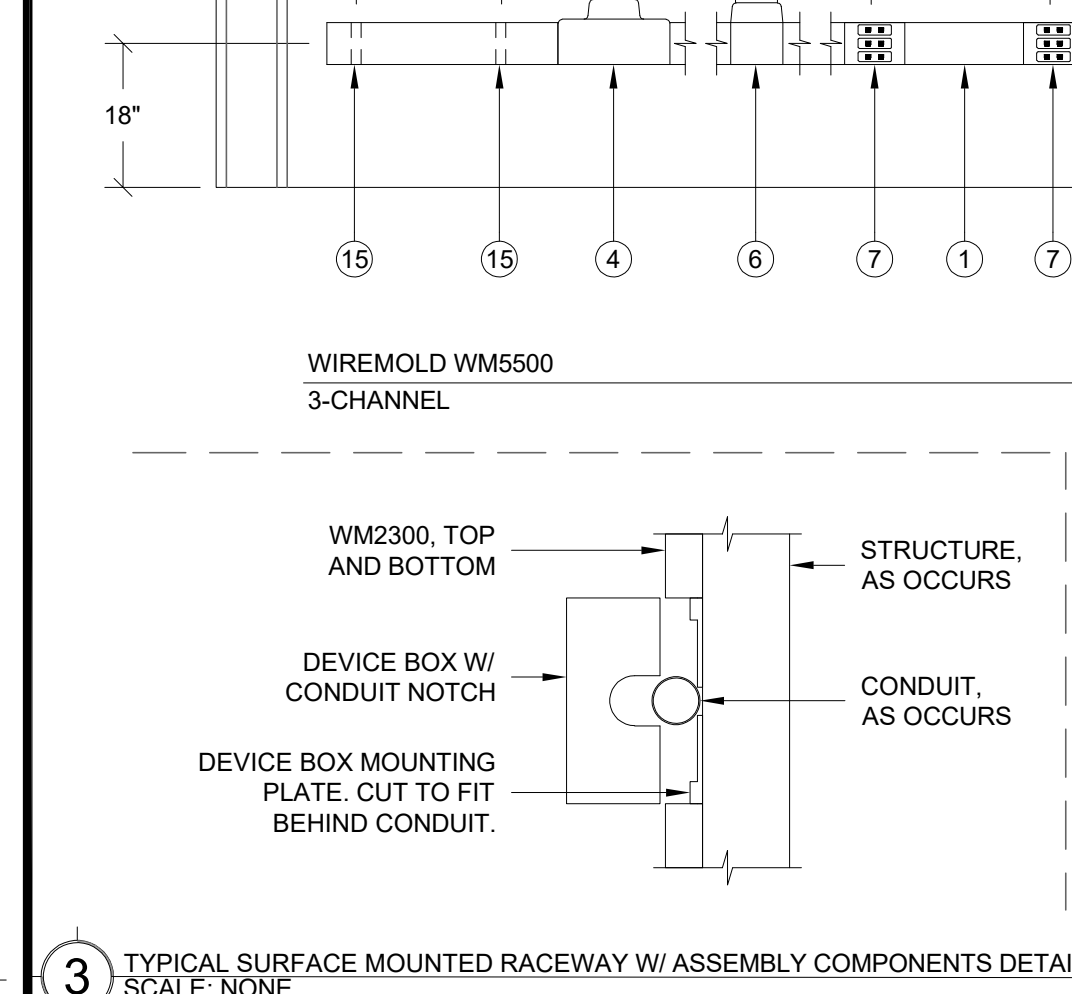
11 RUNWAY SUPPORT KIT FOR RACK DETAIL  
SCALE: NONE



10 WALL RACK MOUNTING DETAIL  
SCALE: NONE



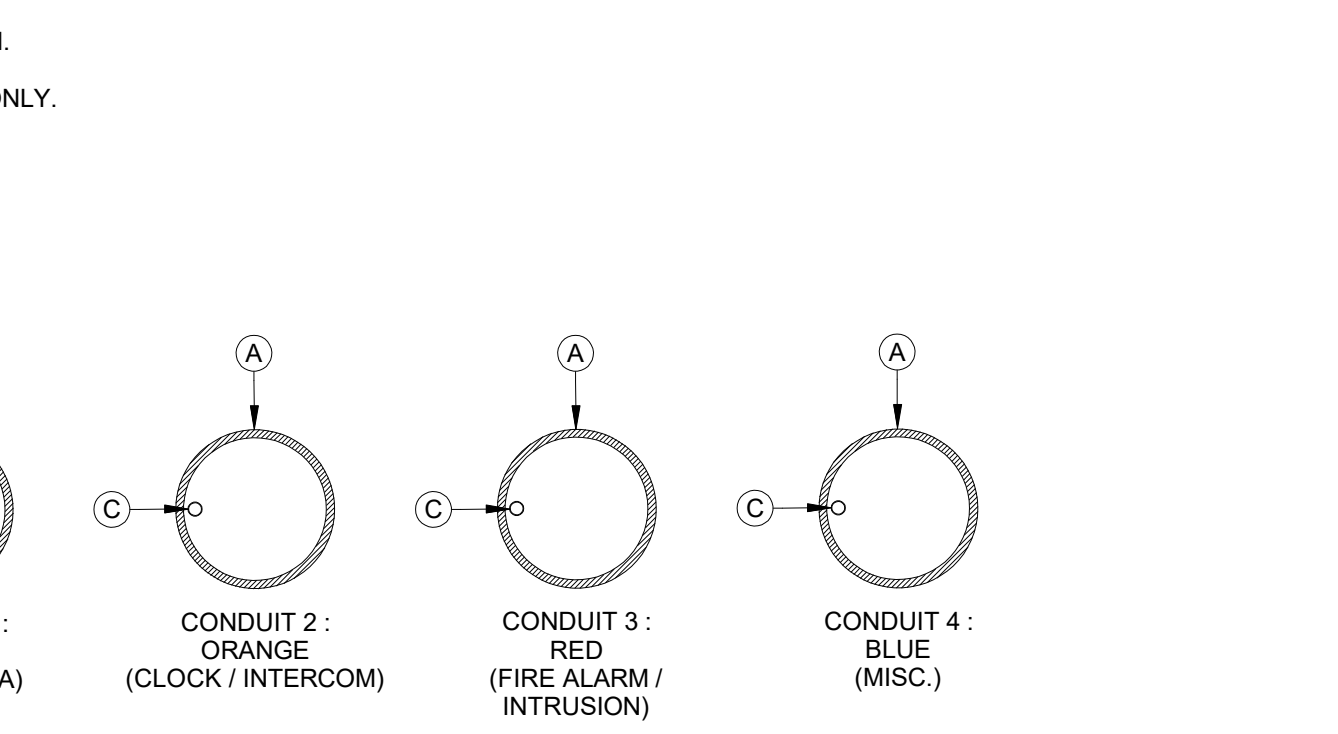
7 WALL MOUNTED JUNCTION BOX WITH CONDUIT RISER AND SHROUD DETAIL  
SCALE: NONE



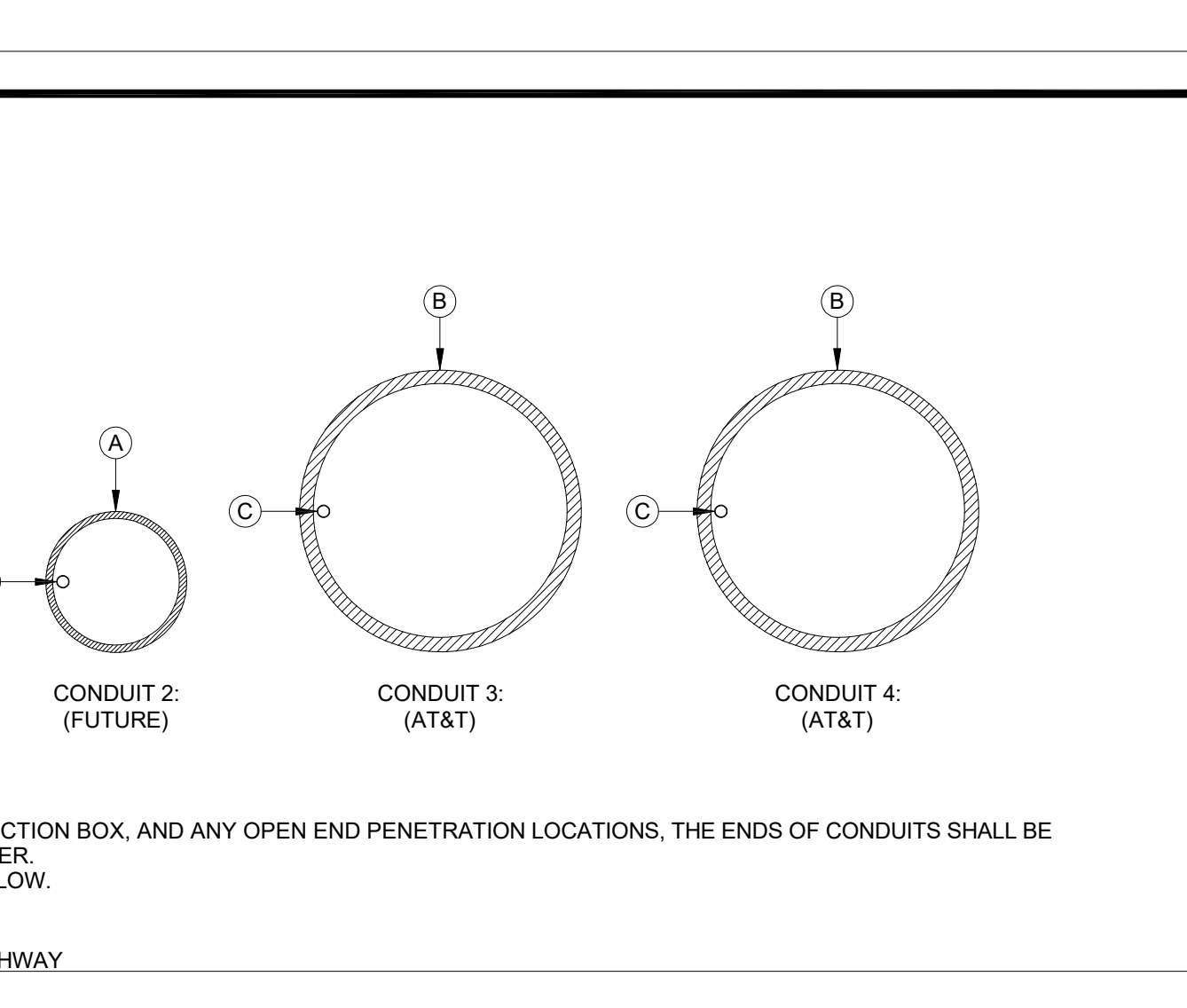
1 CONDUIT LAYOUT DETAIL - UTILITY SERVICES PATHWAY  
SCALE: NONE

WIREMOLD SURFACE RACEWAY			
SYMBOL	DESCRIPTION	WM5500 PART NUMBER	WM2300 PART NUMBER
1	WIREMOLD WM5500	5500	N/A
2	WIREMOLD WM2300	N/A	2300
3	ENTRANCE END FITTING	5510D	2310A
4	FULL CAPACITY TEE (FIBER READY)	N/A	N/A
5	FULL CAPACITY FLAT ELBOW 90°	5511F0	2311DFO
6	TEE	5515	2315
7	DEVICE BRACKET W/ DUAL RJ FACERLATE, DUPLEX FACERLATE OR BLACK FACERLATE AS NEEDED	5550 / 5507FRJ / 5507D / 5507B	5474 / 5574
8	TRANSITION FITTING FOR WM2300	5574	2348
9	WALL MOUNTED PULL BOX SIZE AS NOTED PER PLAN	N/A	2300
10	DEVICE BOX	N/A	2348
11	END CAP	5510	2310B
12	INTERNAL ELBOW	5517F0	2317DFO
13	EXTERNAL ELBOW	5518F0	2318DFO
14	BASE SEAM COVER	5506	2306
15	WIRE CLIP	5500WC (INSTALL CLIPS AT 48\"/>	
16	TRANSITION FITTING FOR WM5500 TO WM5400	5574A	N/A

NOTE:  
1) DEVICE BOX (10) TO BE USED TO TRANSITION OVER CONDUIT AND SHALLOW WALL OBSTRUCTIONS (I.E. BULLETIN BOARD, TRIM, CASEWORK, ETC.) WHERE REQUIRED. UNDER NO CIRCUMSTANCES SHOULD SURFACE RACEWAY BE BENT OVER OBSTRUCTIONS.



NOTES:  
1. CONDUIT FILL RADIO NOT TO EXCEED 40%.  
2. AT ALL GROUND BOX, PULL BOX AND JUNCTION BOX LOCATIONS, THE ENDS OF CONDUITS SHALL BE PAINTED AND LABELED WITH A NUMBER.



NOTES:  
1. AT ALL GROUND BOX, PULL BOX, JUNCTION BOX, AND ANY OPEN END PENETRATION LOCATIONS, THE ENDS OF CONDUITS SHALL BE PAINTED AND LABELED WITH A NUMBER.  
2. CONDUITS ENDS TO BE PAINTED YELLOW.



**KMM SERVICES, INC.**  
TECHNOLOGY & FIRE LIFE SAFETY

5433 El Camino Ave. Suite 5  
Carmichael, CA 95608  
Office: (916) 359-4000 www.kmm.com



Copyright © 2023

These drawings and specifications and the ideas, designs and arrangements represented thereby are and shall remain the property of KMM Services, Inc. and no part thereof shall be copied, disclosed to others, or used in connection with any other work or project other than the specific project for which they have been prepared and approved without the written consent of KMM Services, Inc. Visual contact with these drawings or specifications shall constitute conclusive evidence of these restrictions.

IF DRAWING IS NOT 30"x42" IT IS A REDUCED PRINT

SHEET REVISIONS

DELTA	DESCRIPTION	DATE

SITE KEY PLAN

PROJECT  
**SACRAMENTO CITY USD  
CLAYTON B. WIRE ES  
TECHNOLOGY NETWORK  
INFRA. UPGRADE**  
5100 EL PASO AVE.  
SACRAMENTO, CA. 95824

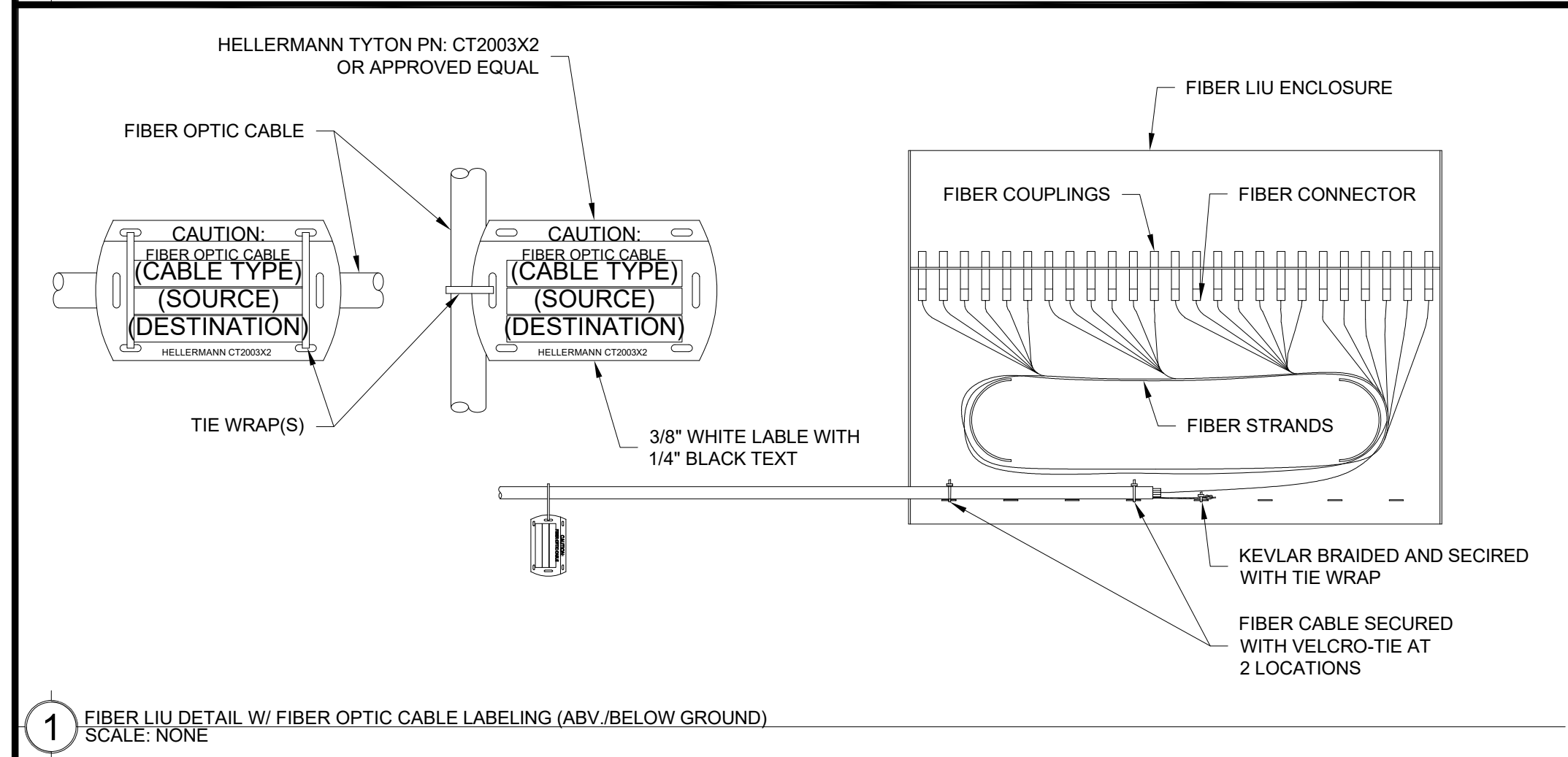
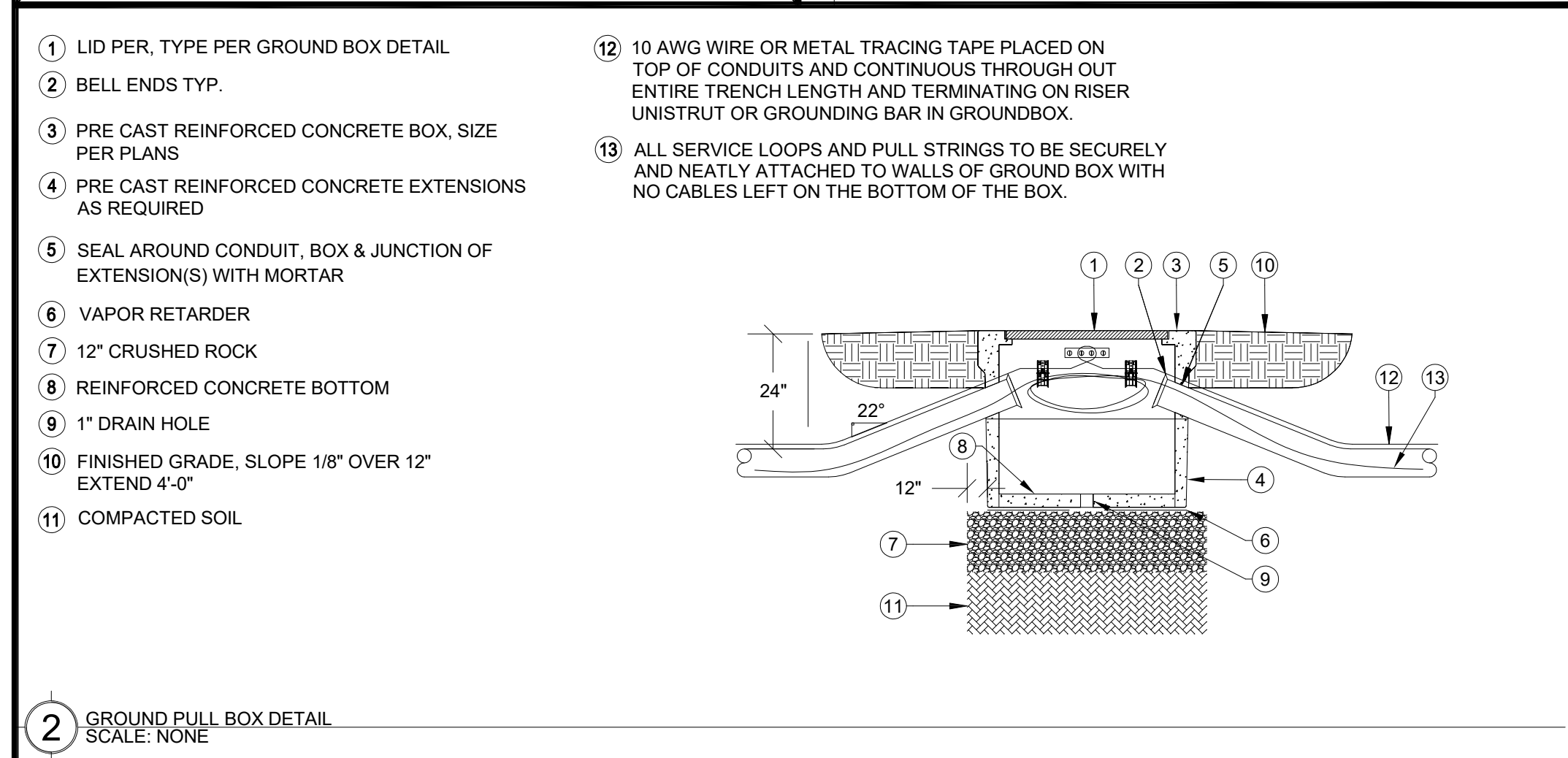
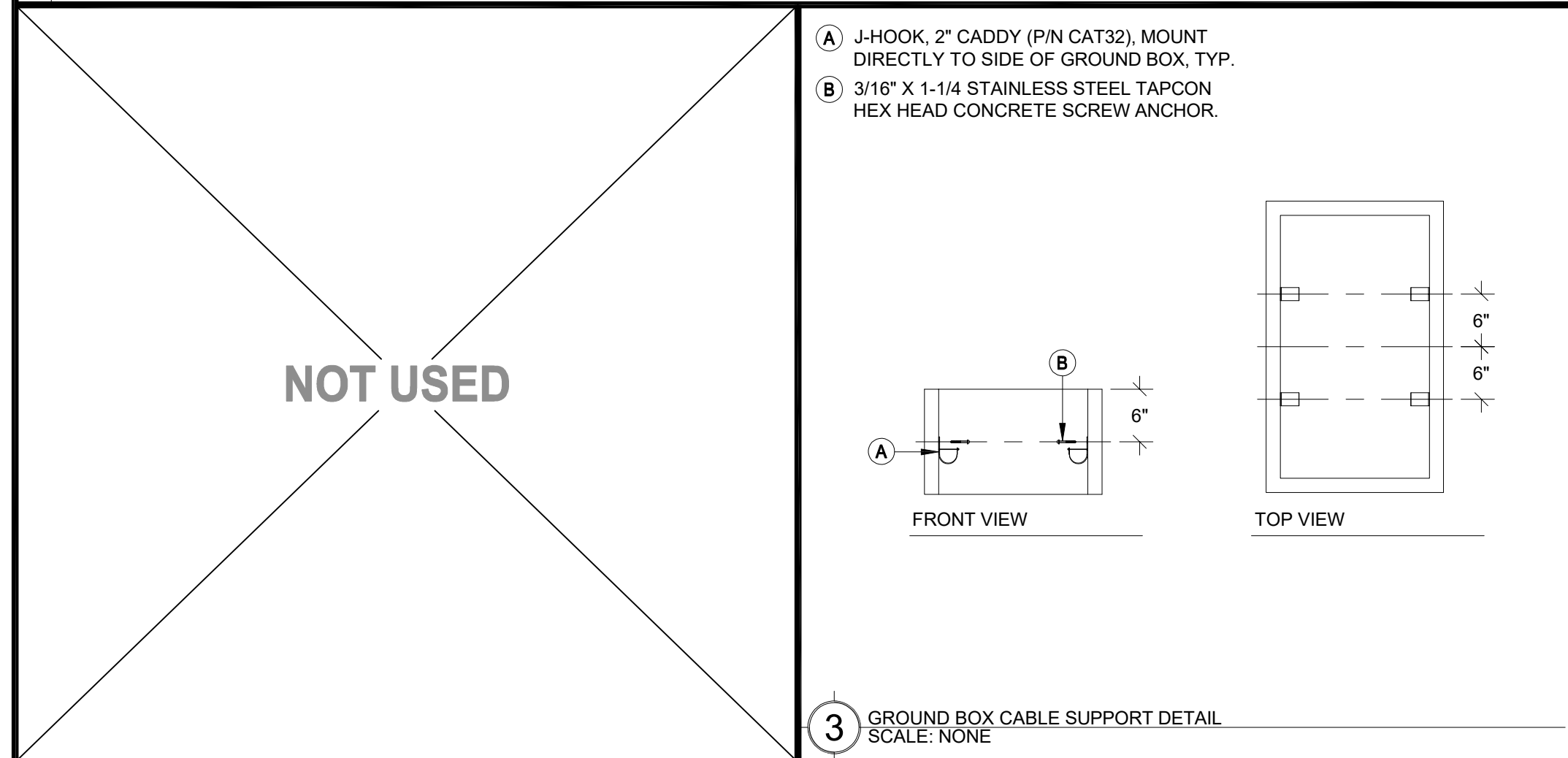
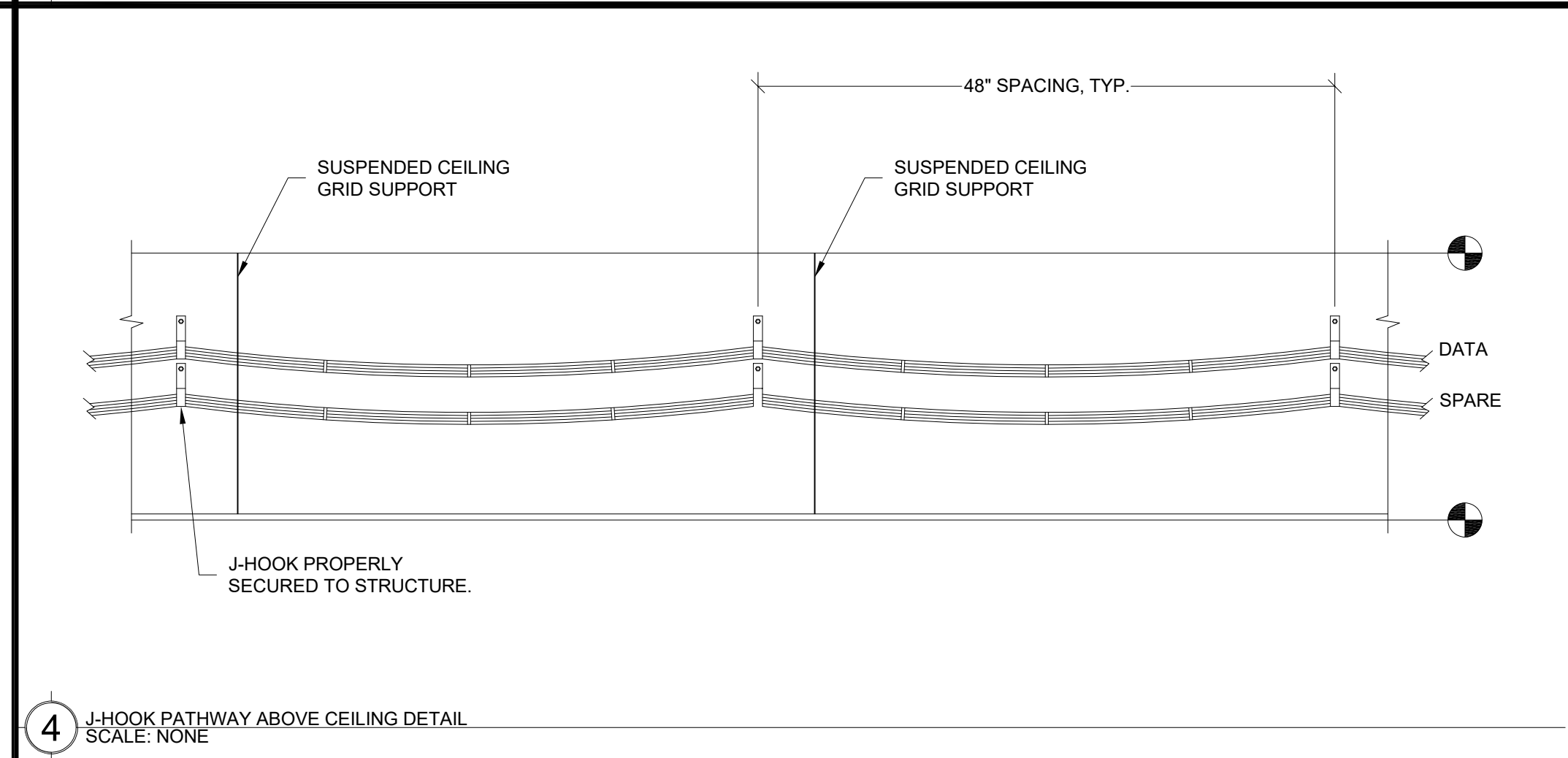
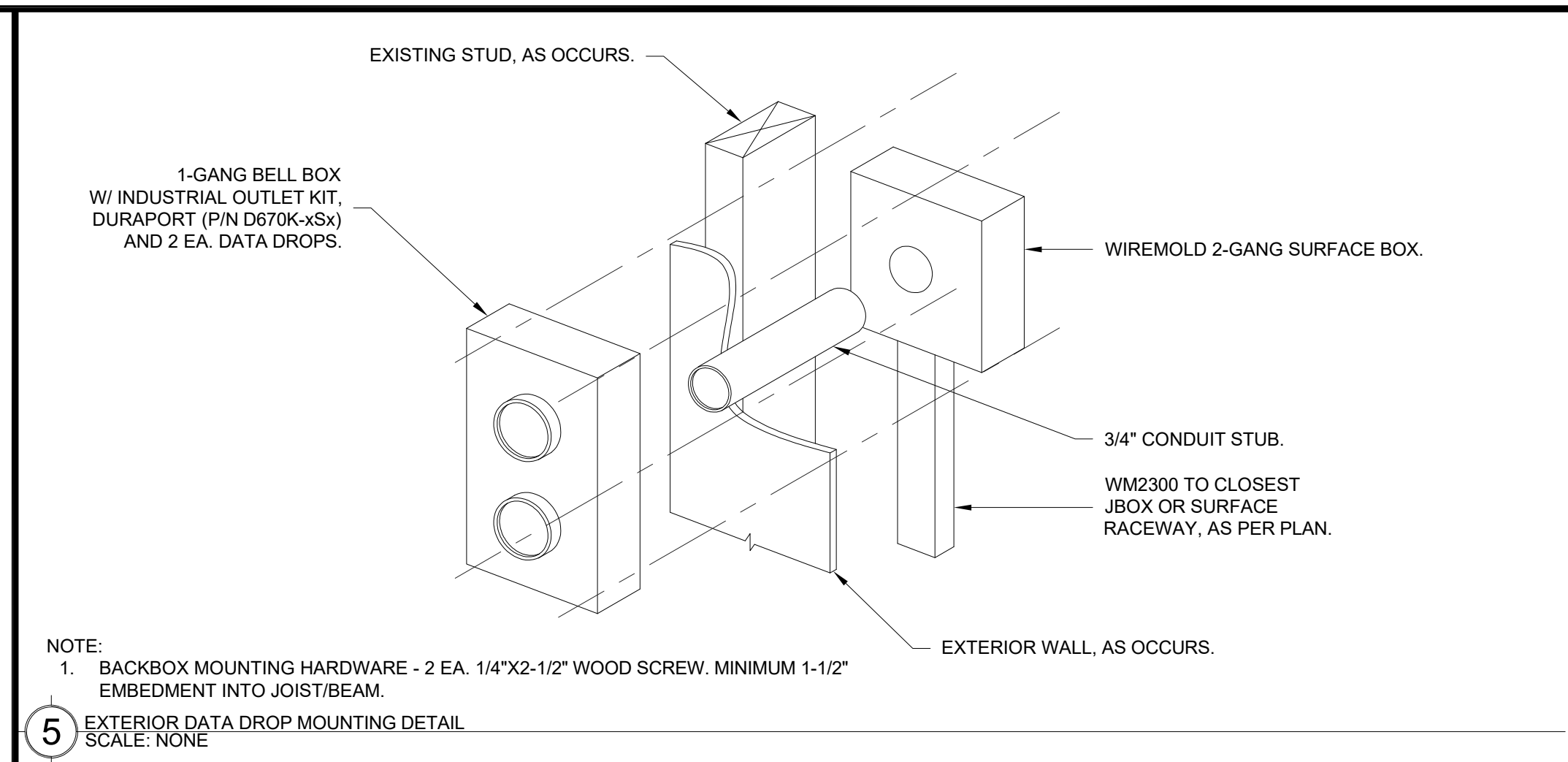
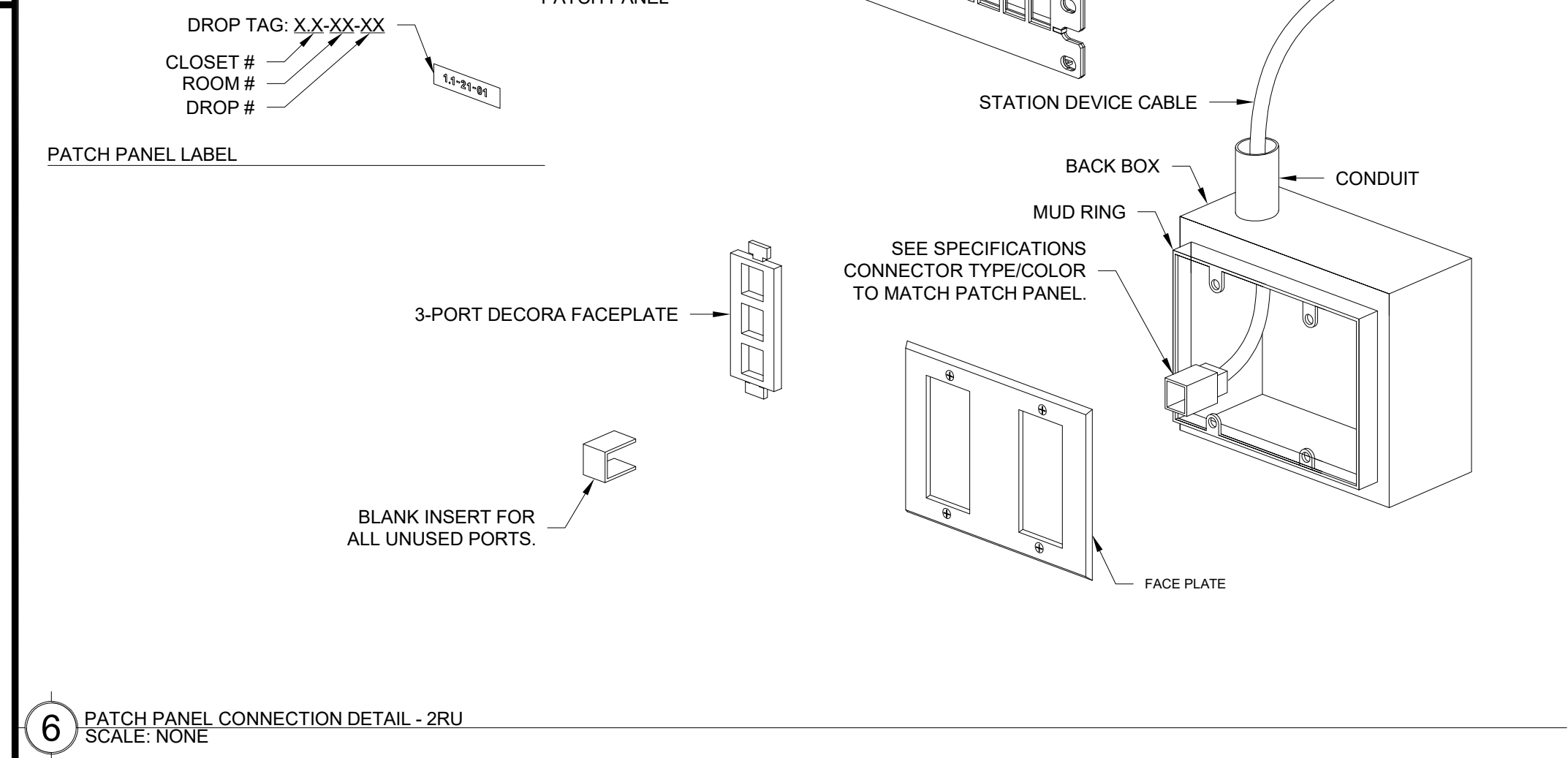
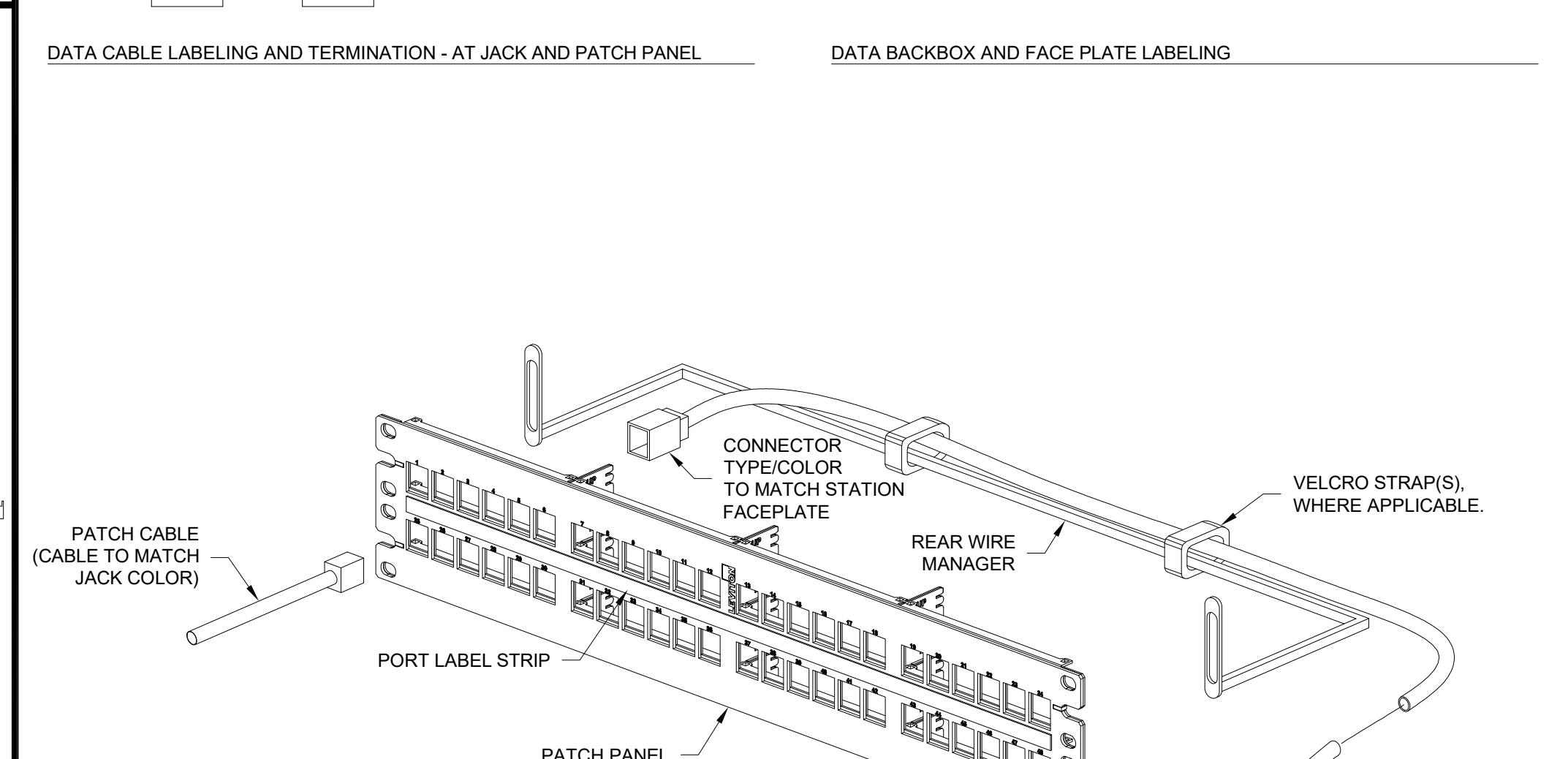
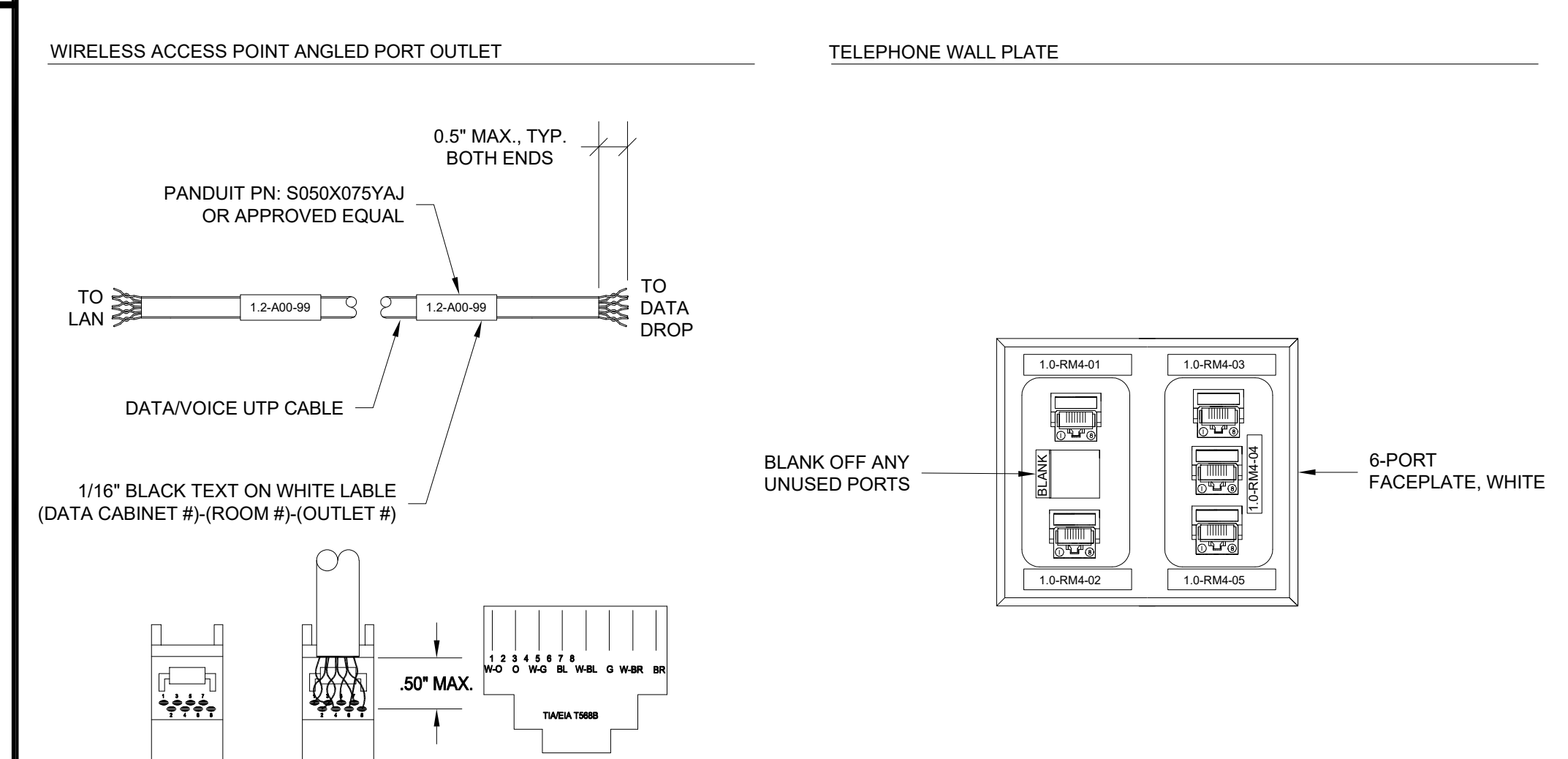
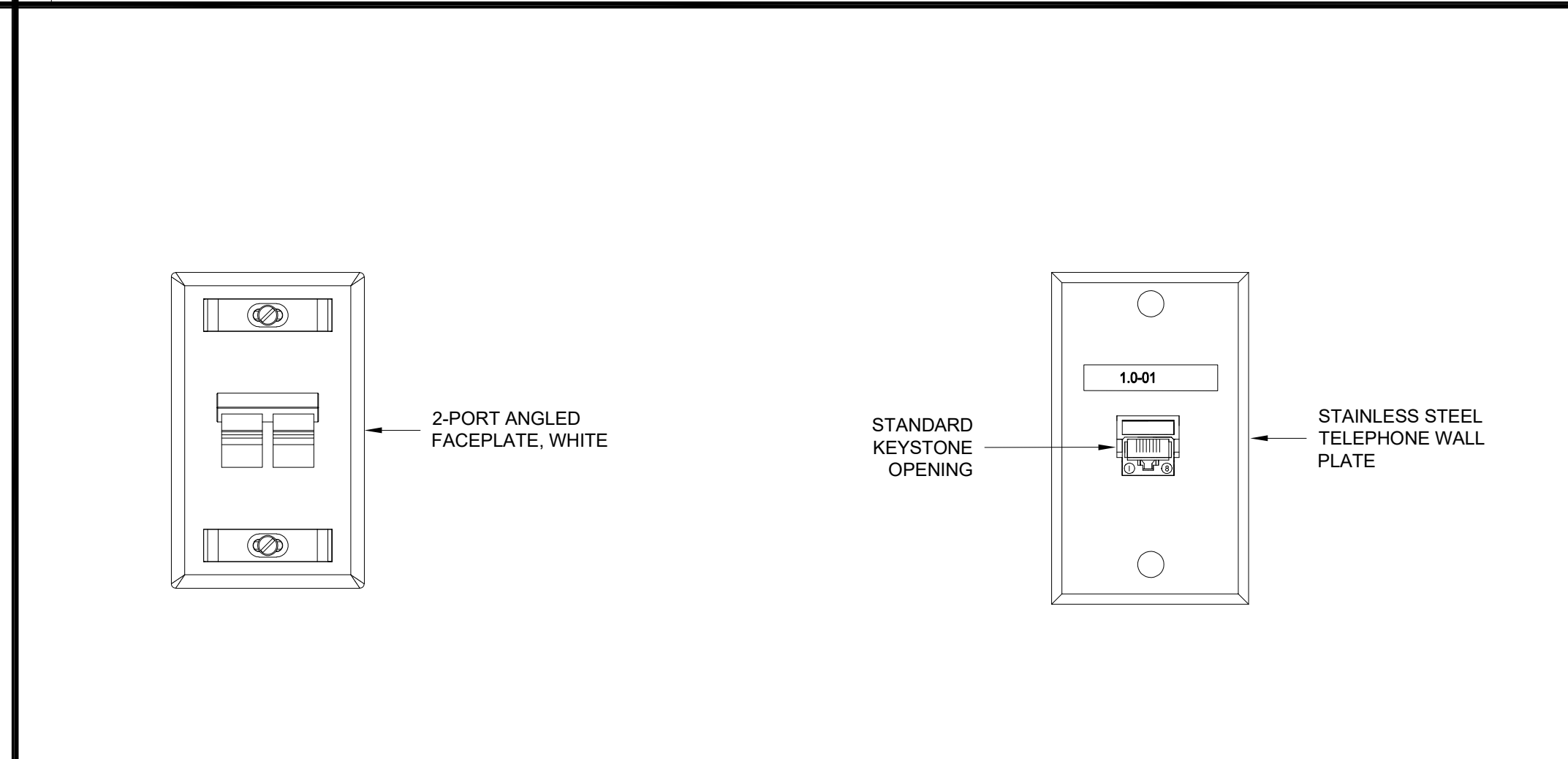
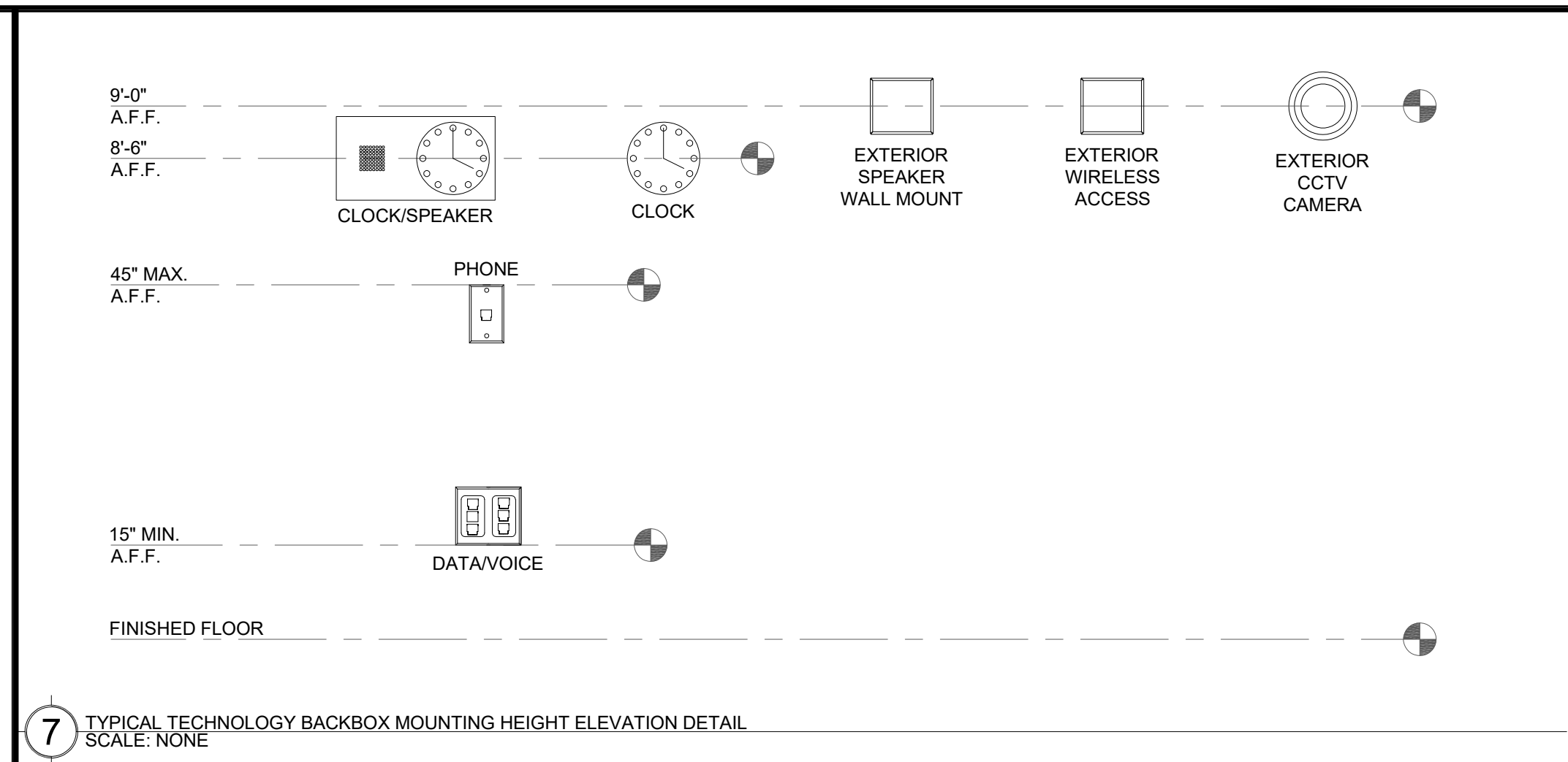
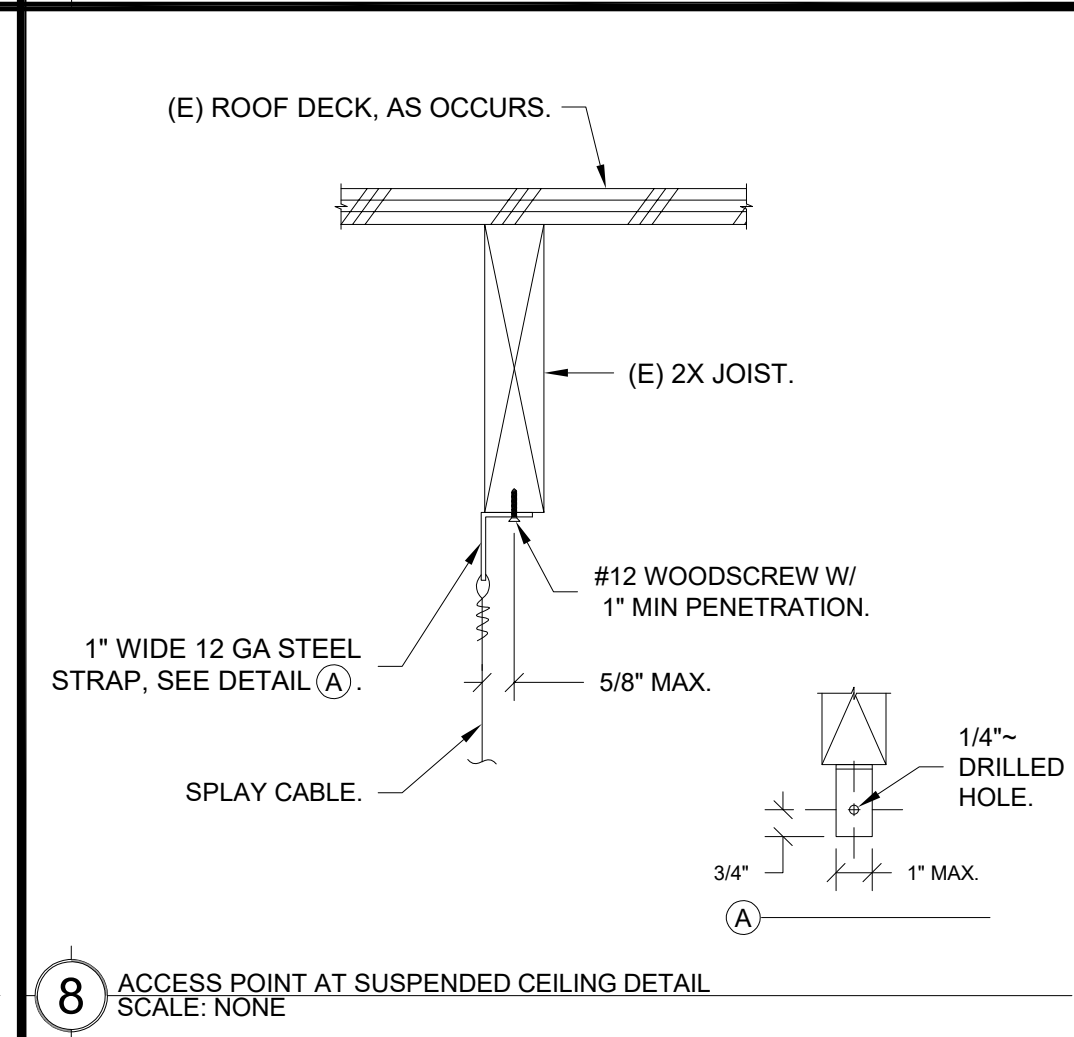
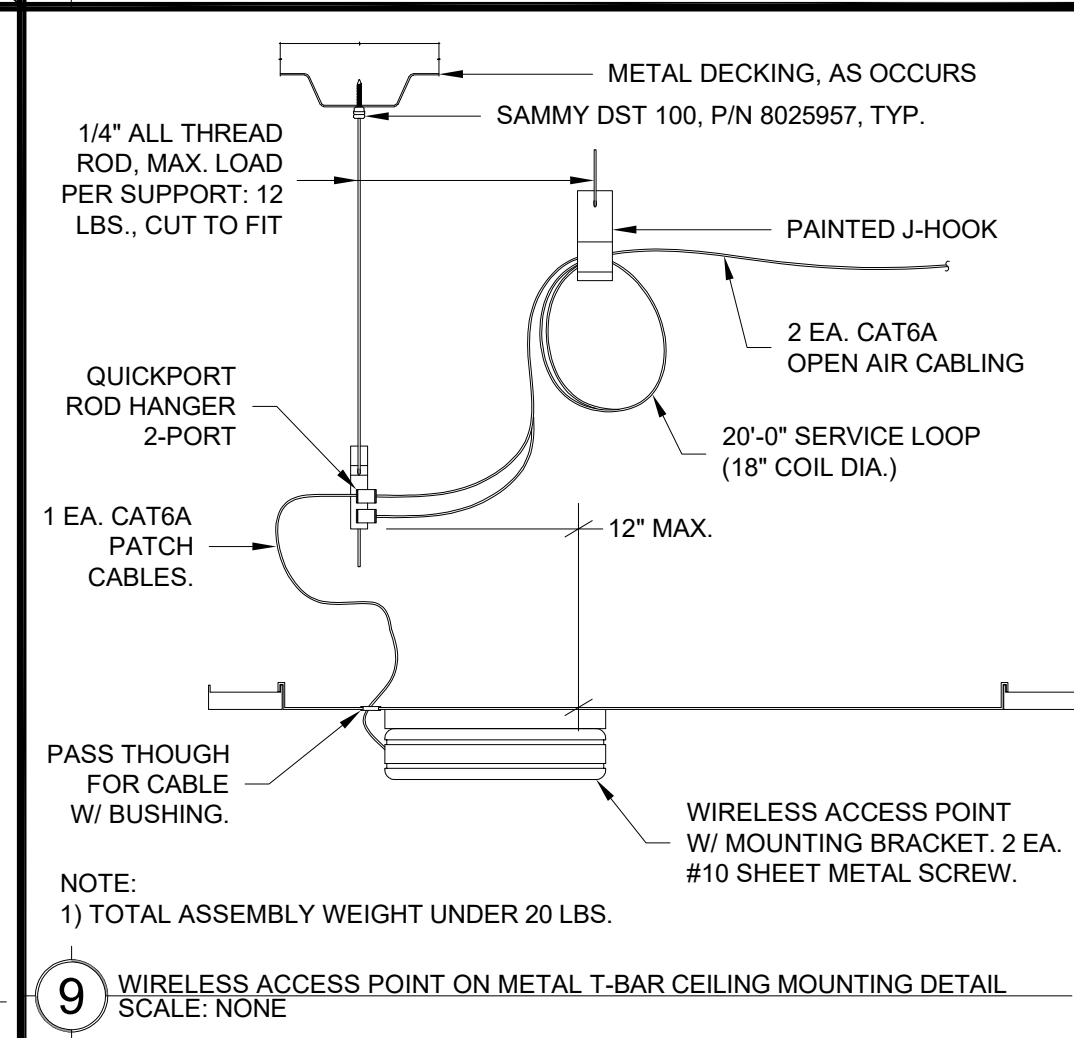
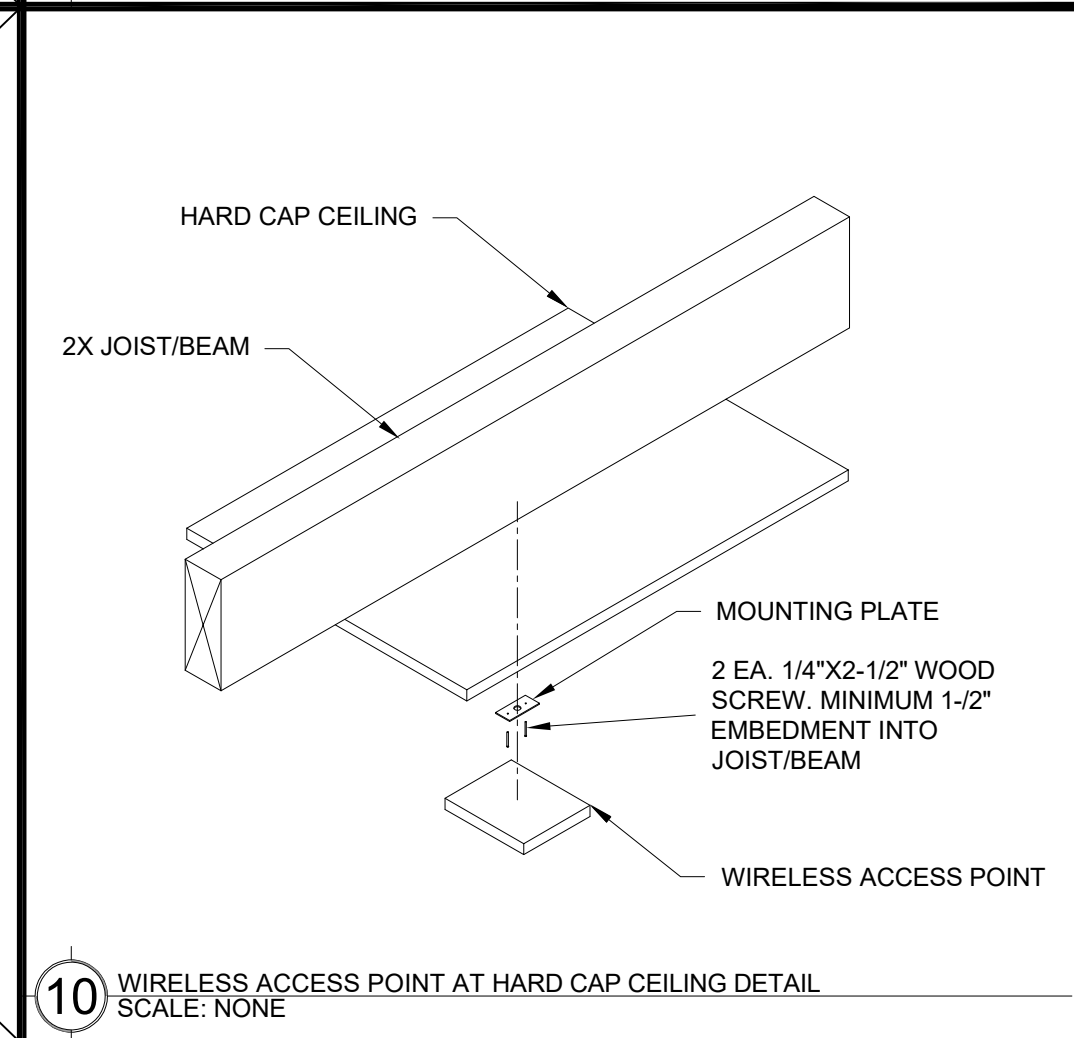
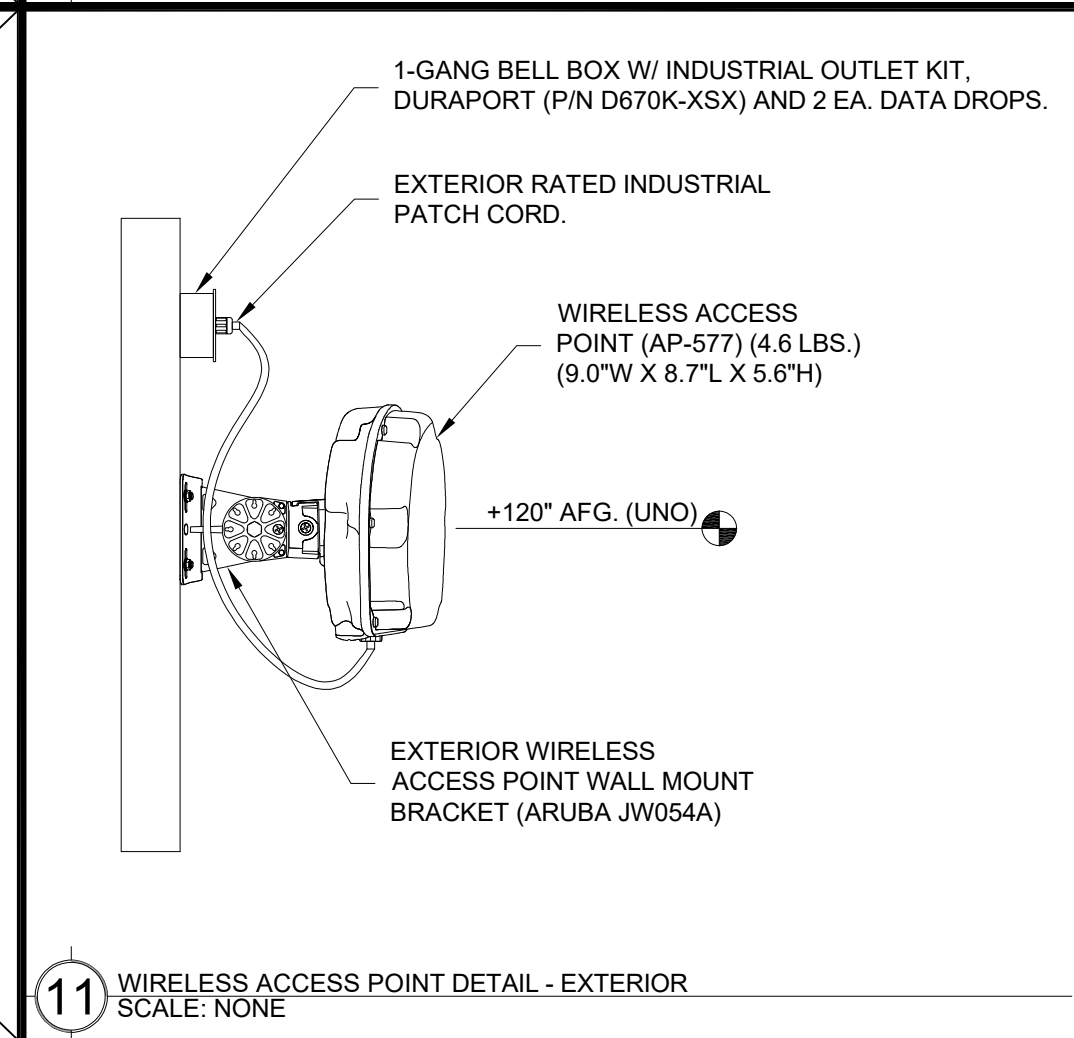
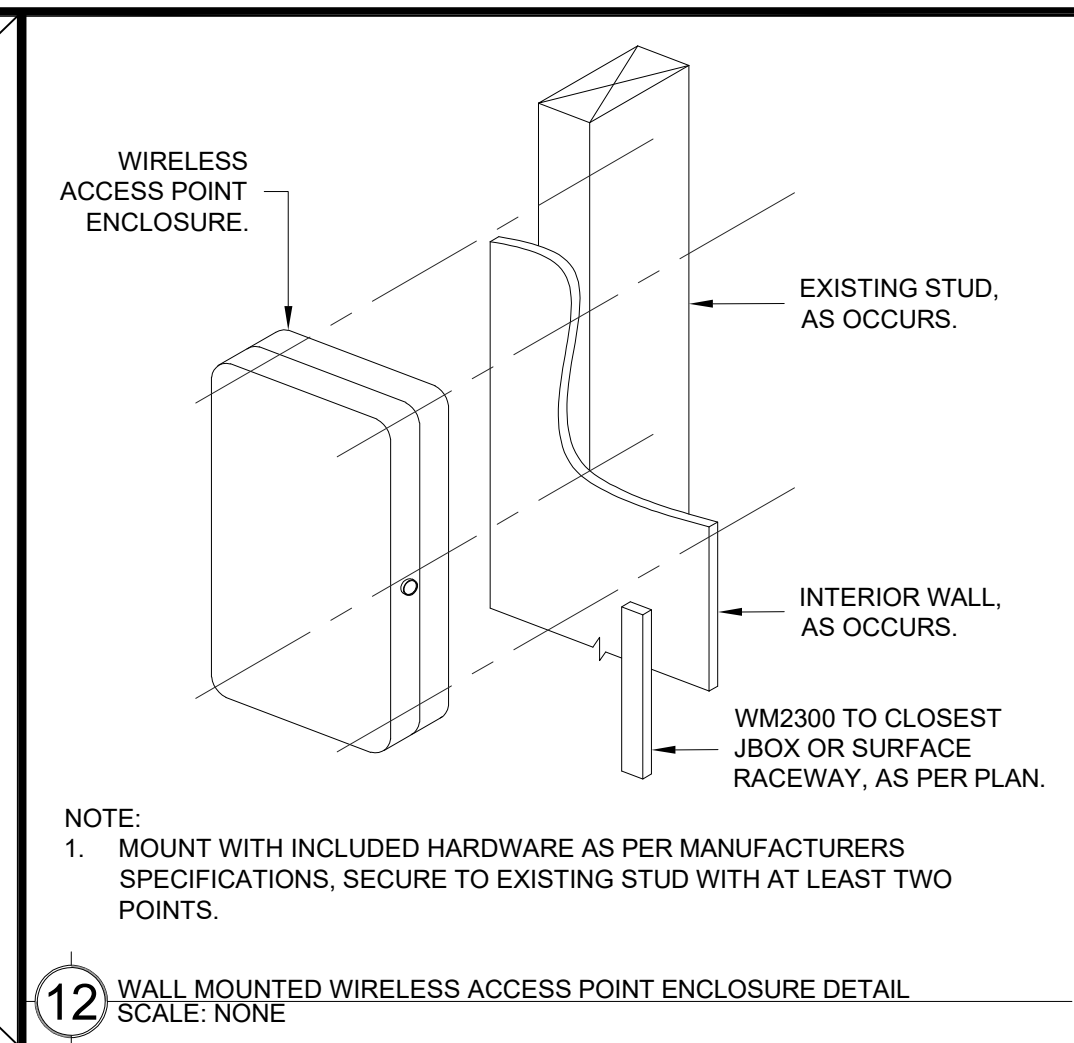
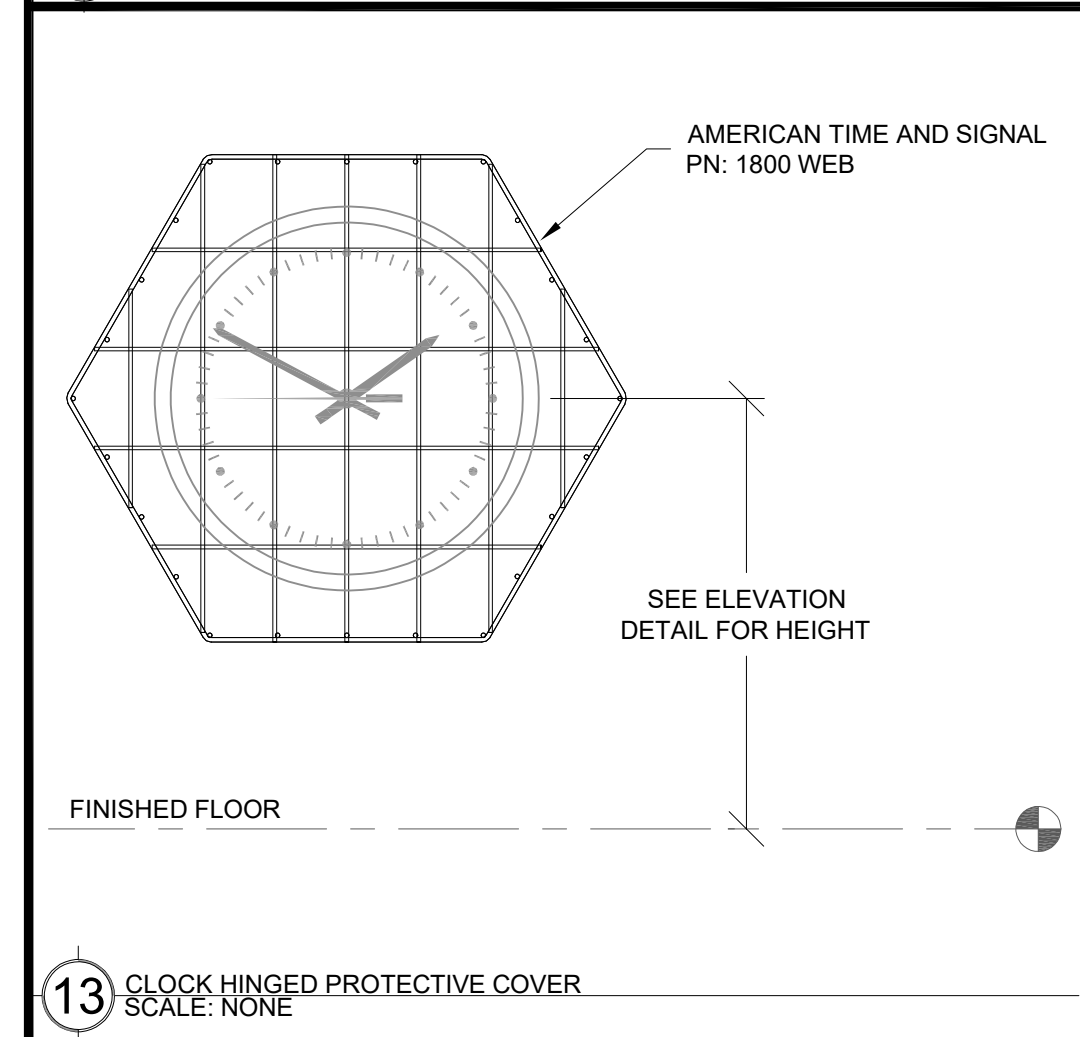
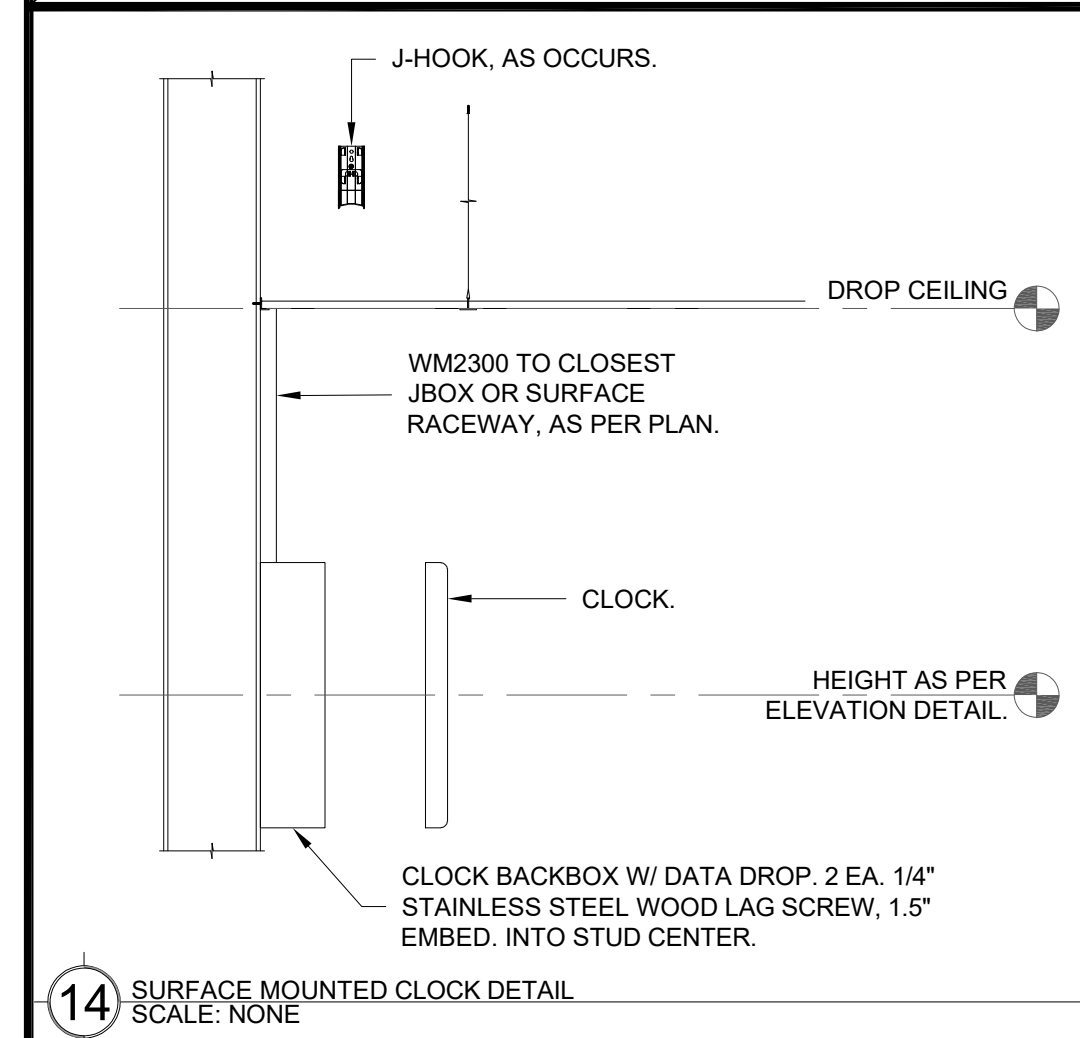
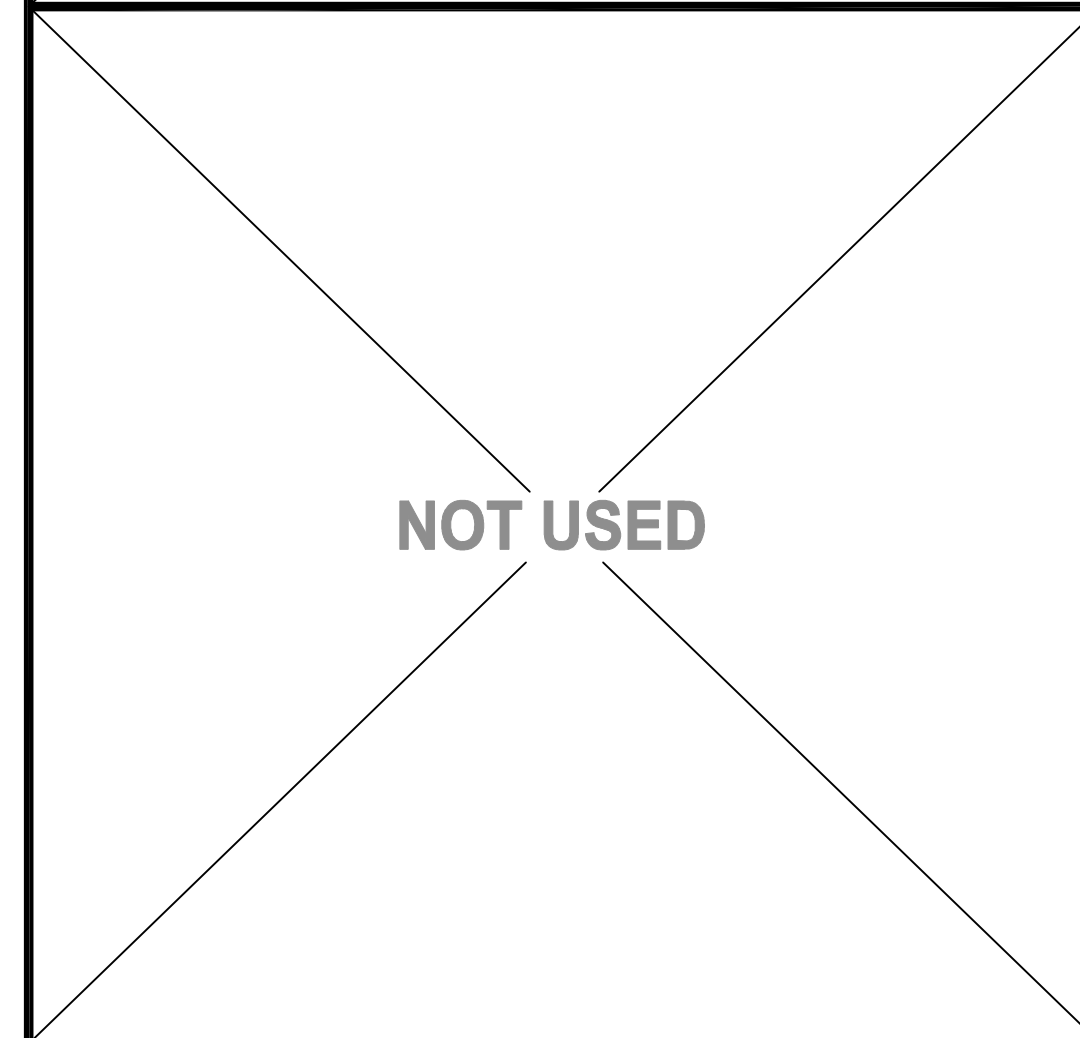
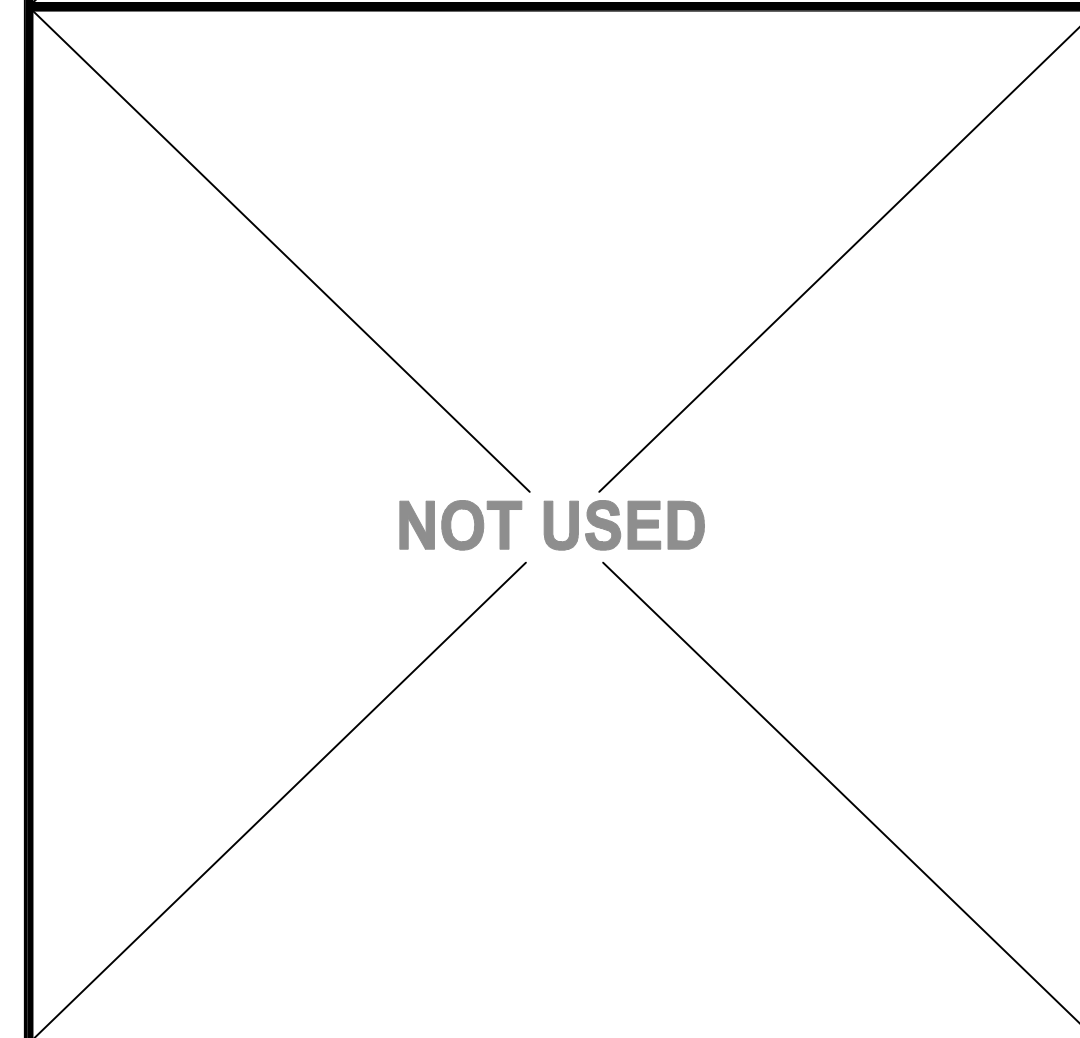
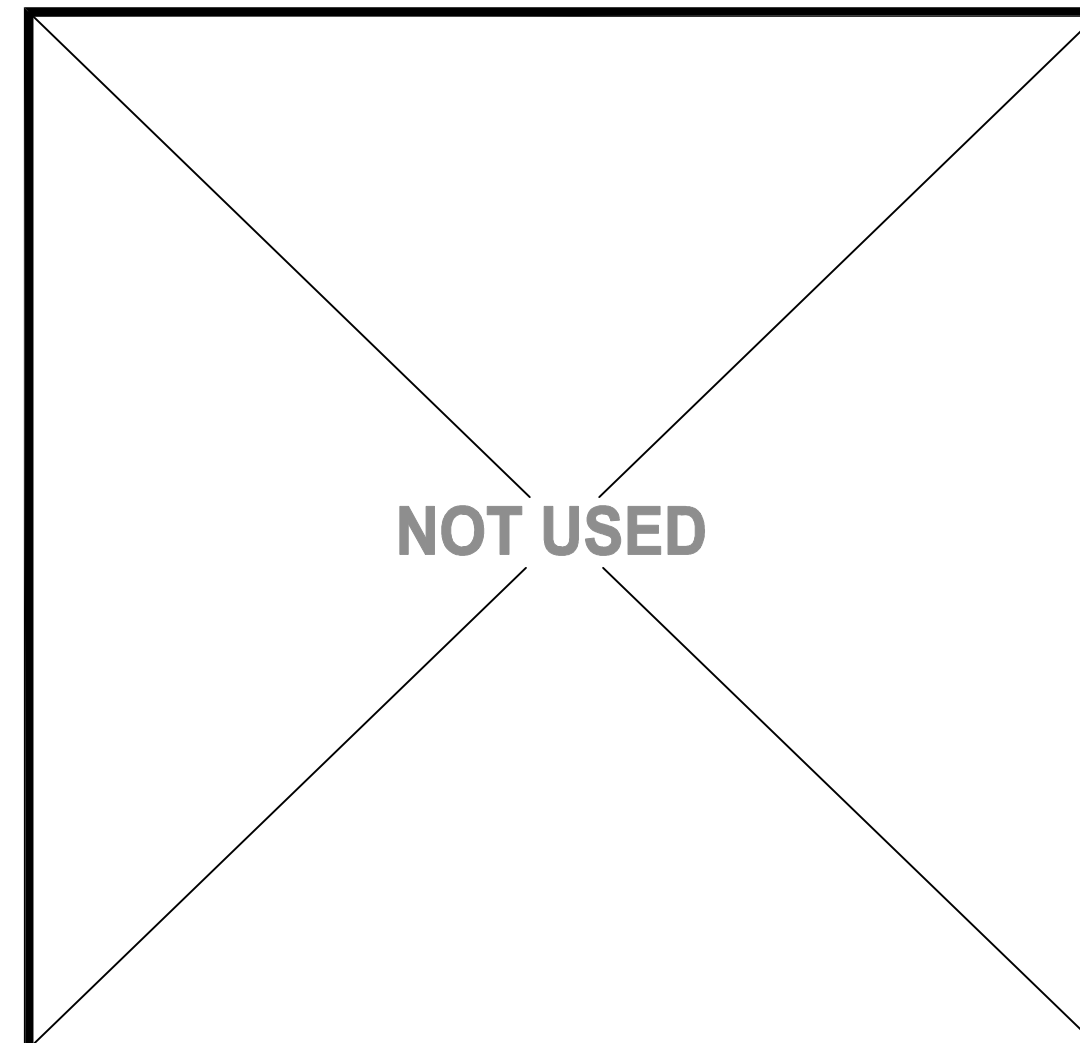
SHEET TITLE  
**TECHNOLOGY  
DETAILS**

DRAWING STATUS  
**BID SET**

PROJECT NO.	
CONTRACT NO.	0040-461-2
DESIGNED BY:	RKCC
CHECKED BY:	JG
ISSUE DATE:	2023-03-16
WORKING DATE:	2023-03-20
REVISION	

SHEET **T800**

Login Name: good  
 Plot Date: March 20, 2023 - 02:11 PM  
 File Path: \\SC01-01-001\Projects\18-0000\Drawings\18-0000-0000-0000.dwg  
 User: jg



**KMM SERVICES, INC**  
TECHNOLOGY & FIRE LIFE SAFETY

5433 El Camino Ave. Suite 5  
Carmichael, CA 95608  
Office: (916) 359-4000 www.kmm.com



Copyright © 2023

These drawings and specifications and the ideas, designs and arrangements represented thereby are and shall remain the property of KMM Services, Inc. and no part thereof shall be copied, disseminated, or used in connection with any other work or project other than the specific project for which they have been prepared and developed without the written consent of KMM Services, Inc. Visual contact with these drawings or specifications shall constitute conclusive evidence of these restrictions.

IF DRAWING IS NOT 30\"/>

SHEET REVISIONS		
DELTA	DESCRIPTION	DATE

**PROJECT**  
SACRAMENTO CITY USD  
CLAYTON B. WIRE ES  
TECHNOLOGY NETWORK  
INFRA. UPGRADE  
5100 EL PASO AVE.  
SACRAMENTO, CA. 95824

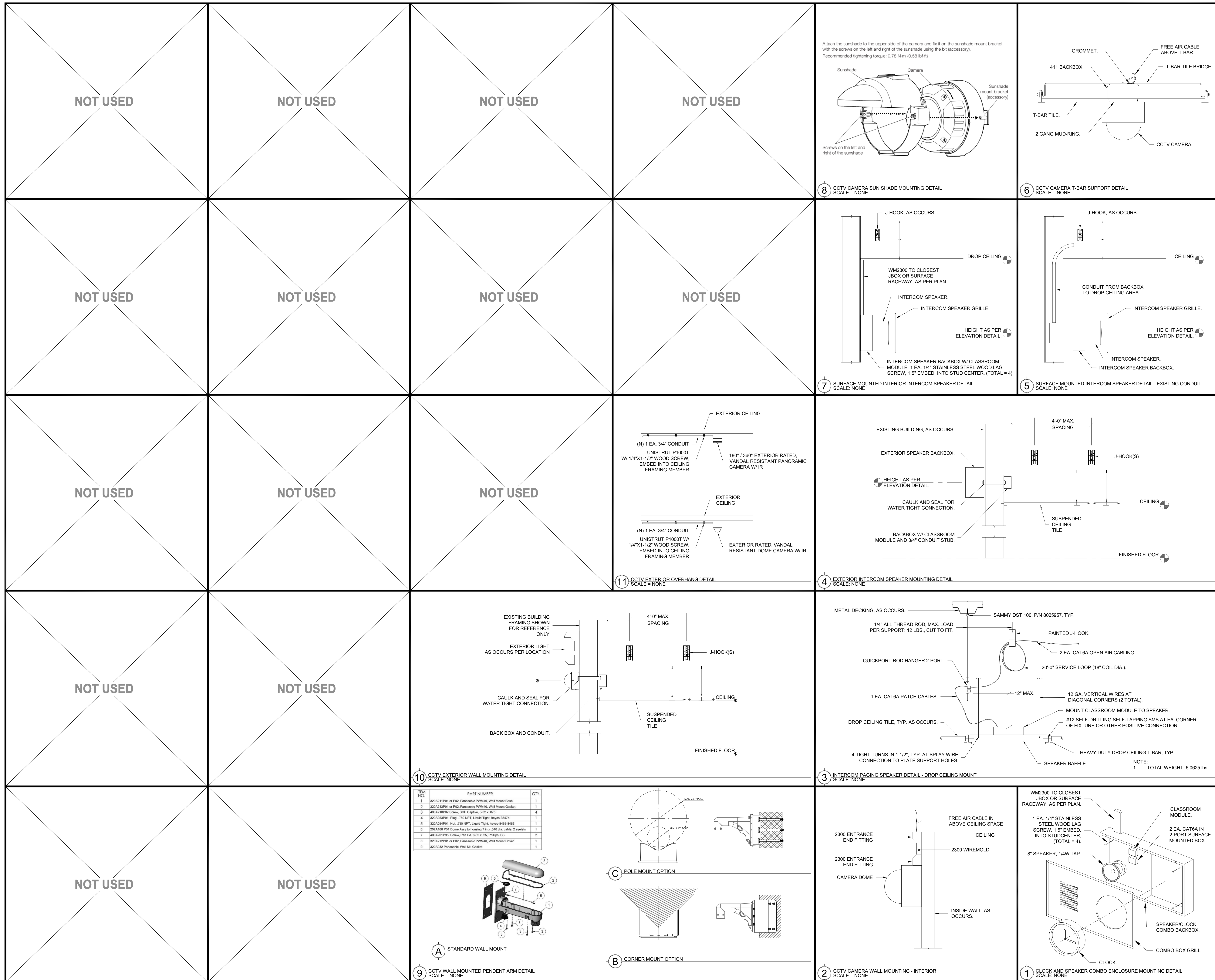
**SHEET TITLE**  
TECHNOLOGY  
DETAILS

**DRAWING STATUS**  
BID SET

PROJECT NO:	-
CONTRACT NO:	0040-461-2
DESIGNED BY:	RKCC
CHECKED BY:	JG
ISSUE DATE:	2023-03-16
WORKING DATE:	2023-03-20

**SHEET**  
**T801**

Logix Name: good  
Print Date: March 20, 2023 - 0:41 PM  
File Path: C:\Projects\123124 - Clayton B. Wire ES\123124 - Clayton B. Wire ES\T801.dwg



**KMM SERVICES, INC.**  
TECHNOLOGY & FIRE LIFE SAFETY

5433 El Camino Ave. Suite 5  
Carmichael, CA 95608  
Office: (916) 359-4000 www.kmm-services.com



Copyright © 2023

These drawings and specifications and the ideas, designs and arrangements represented thereby are and shall remain the property of KMM Services, Inc. and no part thereof shall be copied, disclosed to others, or used in connection with any other work or project other than the specific project for which they have been prepared and developed without the written consent of KMM Services, Inc. Visual contact with these drawings or specifications shall constitute conclusive evidence of these restrictions.

IF DRAWING IS NOT 30"x42" IT IS A REDUCED PRINT

SHEET REVISIONS

DELTA	DESCRIPTION	DATE

SITE KEY PLAN

PROJECT  
**SACRAMENTO CITY USD  
CLAYTON B. WIRE ES  
TECHNOLOGY NETWORK  
INFRA. UPGRADE**  
5100 EL PASO AVE.  
SACRAMENTO, CA. 95824

SHEET TITLE  
**TECHNOLOGY  
DETAILS**

DRAWING STATUS  
**BID SET**

PROJECT NO:	-
CONTRACT NO:	0040-461-2
DESIGNED BY:	RK/CC
CHECKED BY:	JG
ISSUE DATE:	2023-03-16
WORKING DATE:	2023-03-20

REVISION

SHEET  
**T802**

**FIRE ALARM SYMBOL LEGEND:**  
ALL EQUIPMENT AND MATERIALS ARE CONTRACTOR FURNISHED, INSTALLED AND CONFIGURED (UNO)

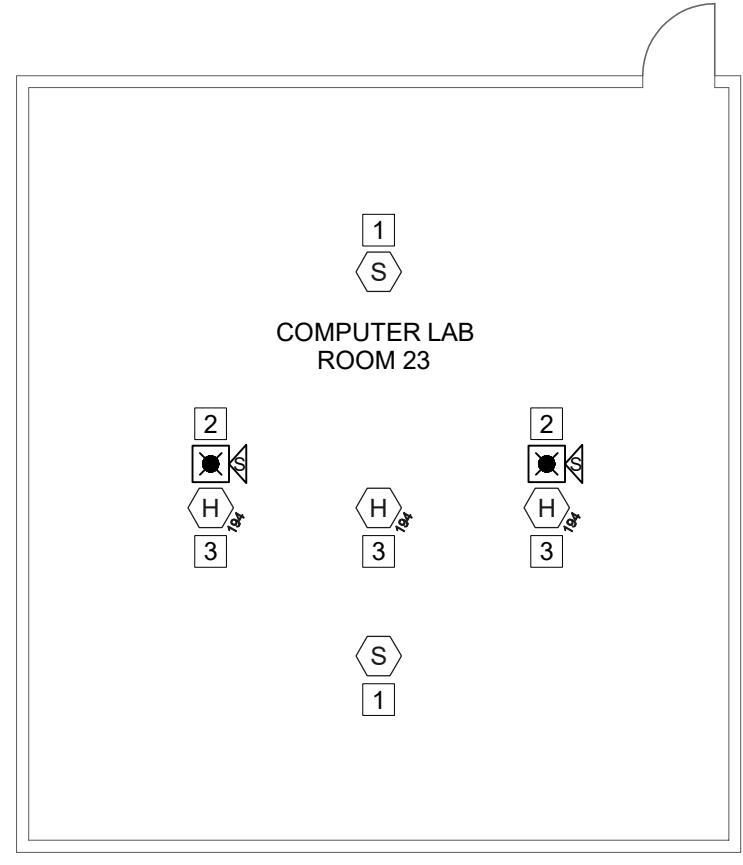
SYMBOL	DESCRIPTION	MANUFACTURER	PART NUMBER	NOTES / DETAIL REFERENCES
(S)	(E) CEILING MOUNTED SMOKE DETECTOR	EXISTING	EXISTING	N/A
(H)	(E) CEILING MOUNTED SPEAKER/STROBE	EXISTING	EXISTING	N/A
(H)	(N) ATTIC MOUNTED HEAT DETECTOR	SYSTEM SENSOR	5602	N/A

**GENERAL NOTES:**

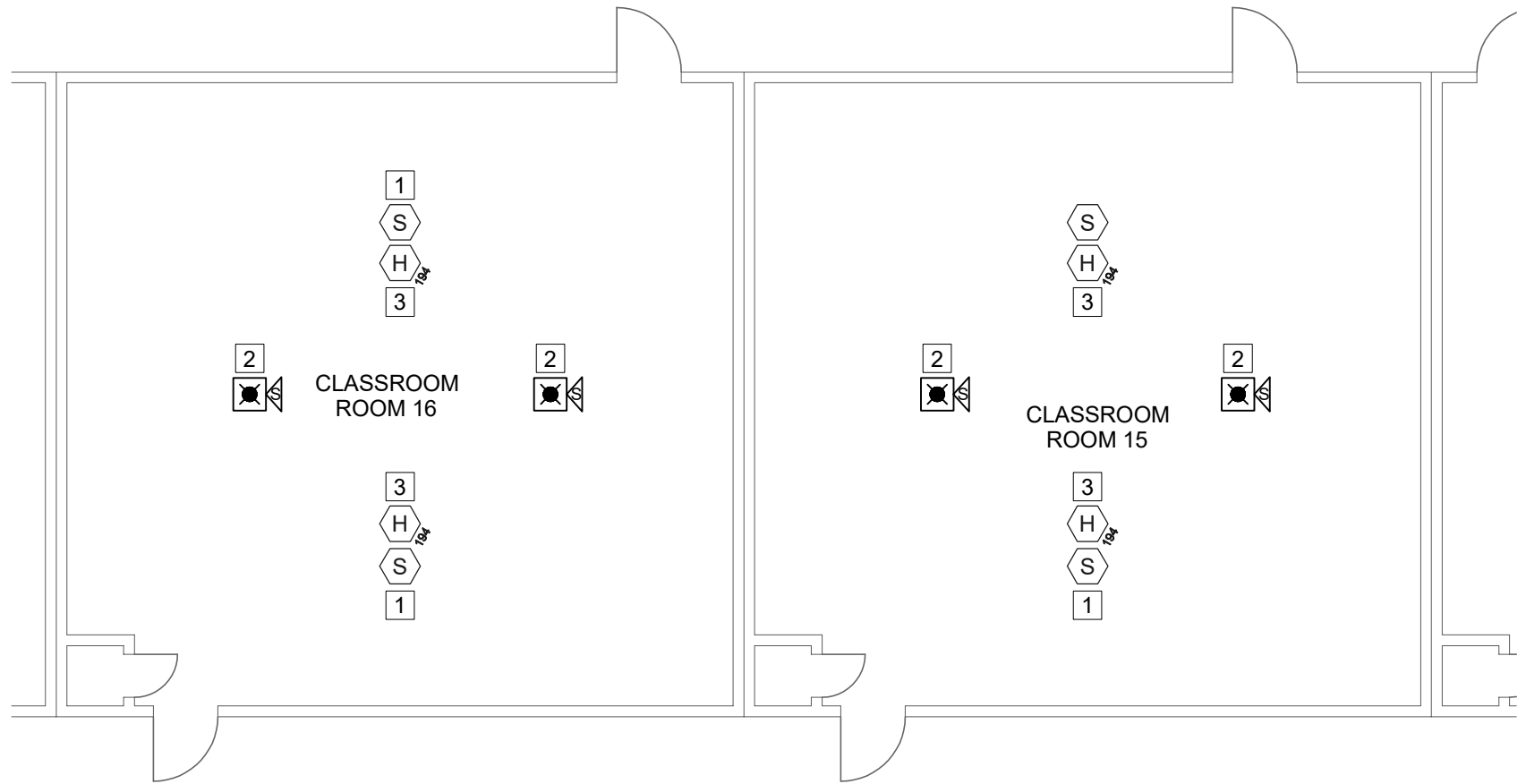
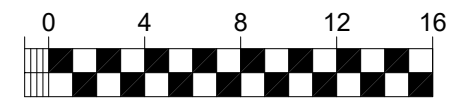
1. REMOVE DEVICES AND PRESERVE FOR REINSTALL.
2. VERIFY ADDRESSING WITH DISTRICT PRIOR TO REINSTALL.

**SHEET NOTES:**

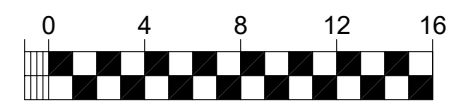
1. REMOVE AND REINSTALL SMOKE DETECTOR.
2. REMOVE AND REINSTALL SPEAKER/STROBE.
3. INSTALL HEAT DETECTOR ON ROOF DECK ABOVE T-BAR CEILING (WHEN REQUIRED SET TO NEXT AVAILABLE ADDRESS).



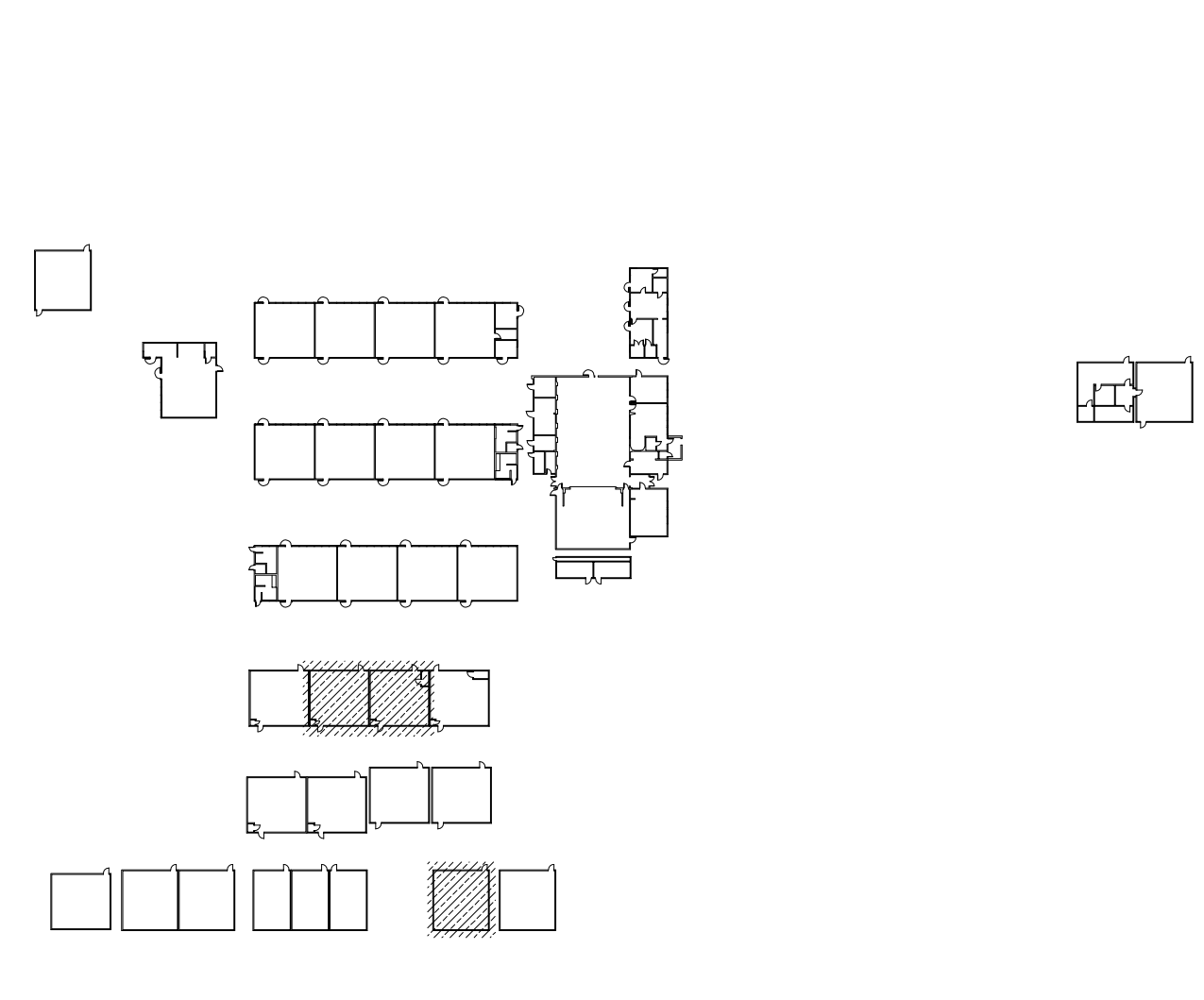
**FIRE ALARM FLOOR PLAN - COMPUTER LAB 23**  
SCALE: 1/8"=1'



**FIRE ALARM FLOOR PLANS - CLASSROOMS 15 AND 16**  
SCALE: 1/8"=1'



**KEY PLAN**



**KMM SERVICES, INC**  
TECHNOLOGY & FIRE LIFE SAFETY

5433 El Camino Ave., Suite 5  
Carmichael, CA 95608  
Office: (916) 359-4000 www.kmm-services.com



Christopher C. Cliff  
NCEET #129281  
Fire Alarm Systems, Level III  
Engineering Technician

*C.C. Cliff*

Copyright © 2023

These drawings and specifications and the ideas, designs and arrangements represented thereby are and shall remain the property of KMM Services, Inc. and no part thereof shall be copied, disclosed to others, or used in connection with any other work or project other than the specific project for which they have been prepared and developed without the written consent of KMM Services, Inc. Visual contact with these drawings or specifications shall constitute conclusive evidence of these restrictions.

IF DRAWING IS NOT 30"x42" IT IS A REDUCED PRINT

**SHEET REVISIONS**

DELTA	DESCRIPTION	DATE

**SITE KEY PLAN**

**PROJECT**  
SACRAMENTO CITY USD  
CLAYTON B. WIRE ES  
TECHNOLOGY NETWORK  
INFRA. UPGRADE  
5100 EL PASO AVE.  
SACRAMENTO, CA. 95824

**SHEET TITLE**  
FIRE ALARM  
FLOOR PLANS  
- CLASSROOMS 15, 16  
AND COMPUTER LAB 23

**DRAWING STATUS**  
BID SET

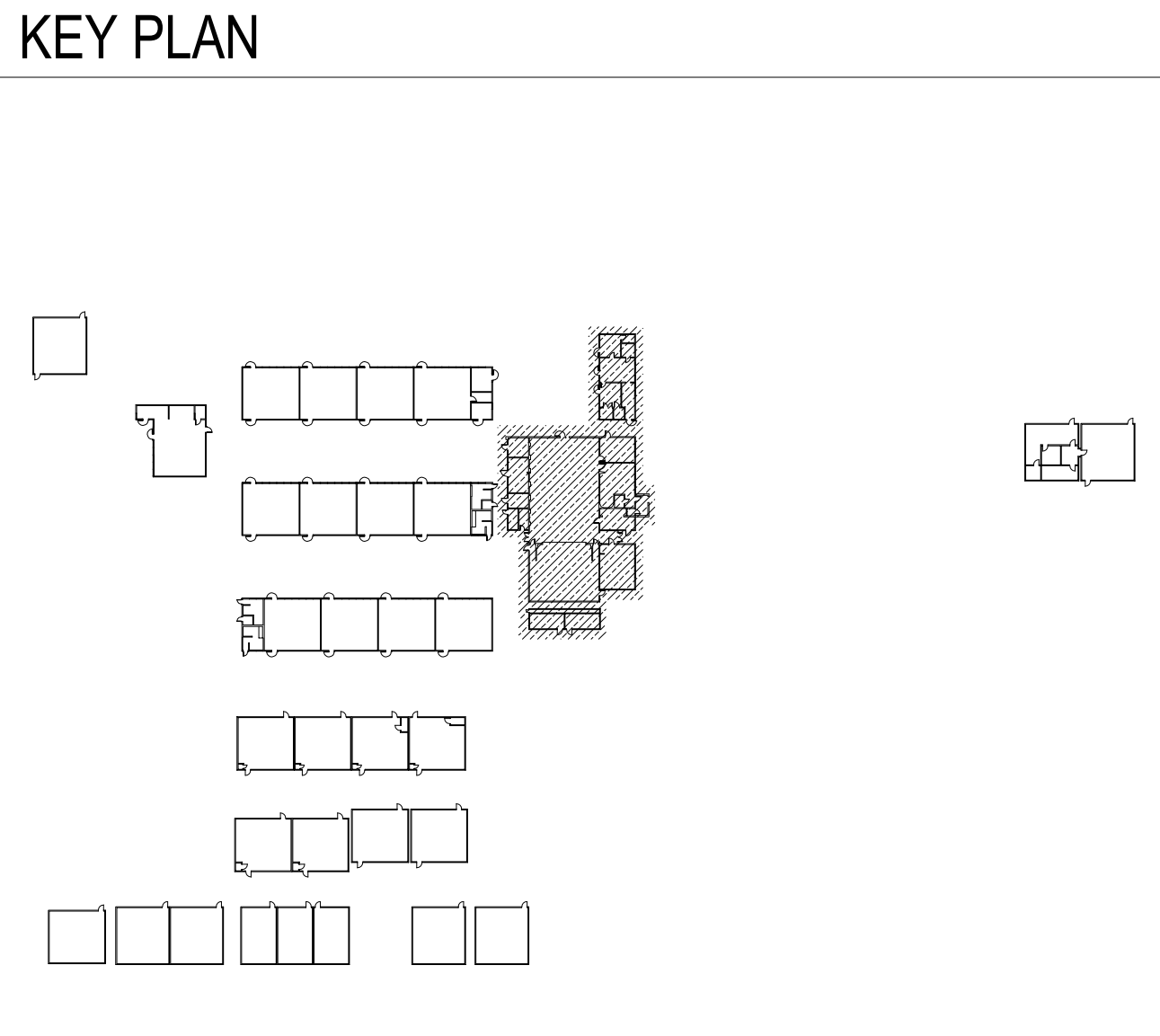
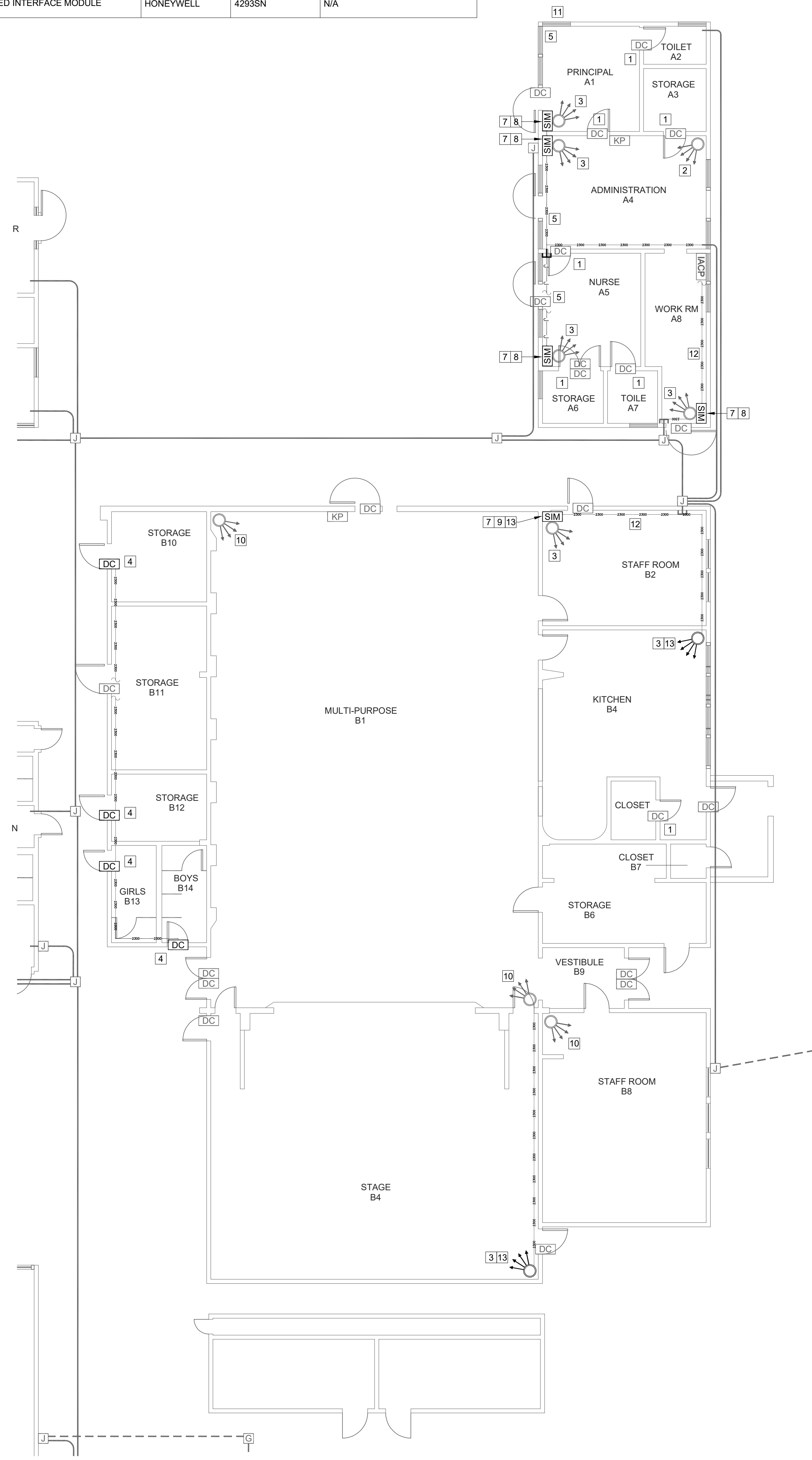
PROJECT NO:	-
CONTRACT NO:	0040-461-2
DESIGNED BY:	RK/CC
CHECKED BY:	JG
ISSUE DATE:	2023-03-16
WORKING DATE:	2023-03-16

**REVISION**  
SHEET **FA200**

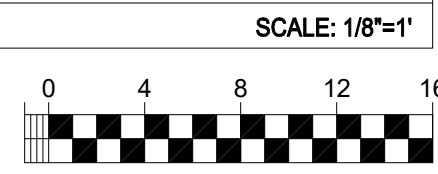
INTRUSION SYMBOL LEGEND: ALL EQUIPMENT AND MATERIALS ARE CONTRACTOR FURNISHED, INSTALLED AND CONFIGURED (UNO)				
SYMBOL	DESCRIPTION	MANUFACTURER	PART NUMBER	NOTES / DETAIL REFERENCES
	(N) MEDIUM CAPACITY SURFACE MOUNTED CABLE RACEWAY	WIREMOLD	2300 SERIES	GREY = EXISTING
	(N) J-HOOK PATHWAY	COMMERCIAL GENERIC	N/A	GREY = EXISTING
	(E) INTRUSION ALARM CONTROL PANEL	HONEYWELL	EXISTING	N/A
	(E) KEYPAD	HONEYWELL	EXISTING	N/A
	(N) DOOR CONTACT	GRI	29A	GREY = EXISTING
	(N) MOTION DETECTOR	HONEYWELL	IS3050A-SN	GREY = EXISTING
	(N) SERIALIZED INTERFACE MODULE	HONEYWELL	4293SN	N/A

- GENERAL NOTES:**
- MODIFY EXISTING INTRUSION ALARM SYSTEM BY ADDING DEVICES WHERE REQUIRED PER PLANS AND DELETING OF EXISTING DEVICES WHERE REQUIRED PER PLANS.
  - NEW DEVICE SHALL MATCH OR BE EQUIVALENT TO EXISTING DEVICES. MOTION DETECTORS AND SERIAL INTERFACE MODULES SHALL BE V-PLEX CONNECTED.
  - NEW DEVICES SHALL HAVE NEW WIRE INSTALLED.
  - REMOVE ALL WINDOW CONTACTS AND WIRE.
  - REMOVE EXISTING WIRE FROM DELETED DEVICES.
  - PROVIDE AND INSTALL (N) SURFACE RACEWAY WHERE SHOWN ON PLANS.

- SHEET NOTES:**
- (E) DOOR CONTACT TO BE REMOVED.
  - (E) MOTION DETECTOR TO BE REMOVED.
  - (N) MOTION DETECTOR.
  - (N) DOOR CONTACT.
  - (E) WINDOW CONTACT TO BE REMOVED.
  - (N) DOOR CONTACT EXTEND ZONE FROM B11.
  - (N) SIM INSTALLED IN MOTION DETECTOR BACK BOX.
  - CONNECT SIM TO ADJACENT DOOR CONTACT.
  - CONNECT SIM TO (E) DOOR CONTACT ZONE. REMOVE OLD ZONE WIRE FROM ADMIN.
  - (E) MOTION DETECTOR TO REMAIN.
  - REMOVE BELL AND WIRING.
  - MOVE (E) WIRING INTO (N) SURFACE RACEWAY.
  - THE INTO V-PLEX CIRCUIT.



**INTRUSION ALARM FLOOR PLANS - ADMIN. AND MULTI-PURPOSE ROOM**



**KMM SERVICES, INC.**  
TECHNOLOGY & FIRE LIFE SAFETY  
5433 El Camino Ave. Suite 5  
Carmichael, CA 95608  
Office: (916) 359-4000 www.kmm-services.com



Christopher C. Cliff  
NICET #129281  
Fire Alarm Systems, Level III  
Engineering Technician  
*CC Cliff*

Copyright © 2023  
These drawings and specifications and the ideas, designs and arrangements represented thereby are and shall remain the property of KMM Services, Inc. and no part thereof shall be copied, disclosed to others, or used in connection with any other work or project other than the specific project for which they have been prepared and developed without the written consent of KMM Services, Inc. Visual contact with these drawings or specifications shall constitute conclusive evidence of these restrictions.

IF DRAWING IS NOT 30"x42" IT IS A REDUCED PRINT

SHEET REVISIONS		
DELTA	DESCRIPTION	DATE

**SITE KEY PLAN**

PROJECT  
**SACRAMENTO CITY USD  
CLAYTON B. WIRE ES  
TECHNOLOGY NETWORK  
INFRA. UPGRADE**  
5100 EL PASO AVE.  
SACRAMENTO, CA. 95824

SHEET TITLE  
**INTRUSION ALARM  
FLOOR PLANS  
- ADMIN. AND  
MULTI-PURPOSE ROOM**

DRAWING STATUS  
**BID SET**

PROJECT NO.:	-
CONTRACT NO.:	0040-461-2
DESIGNED BY:	RK/CC
CHECKED BY:	JG
ISSUE DATE:	2023-03-16
WORKING DATE:	2023-03-20

REVISION  
**IA200**